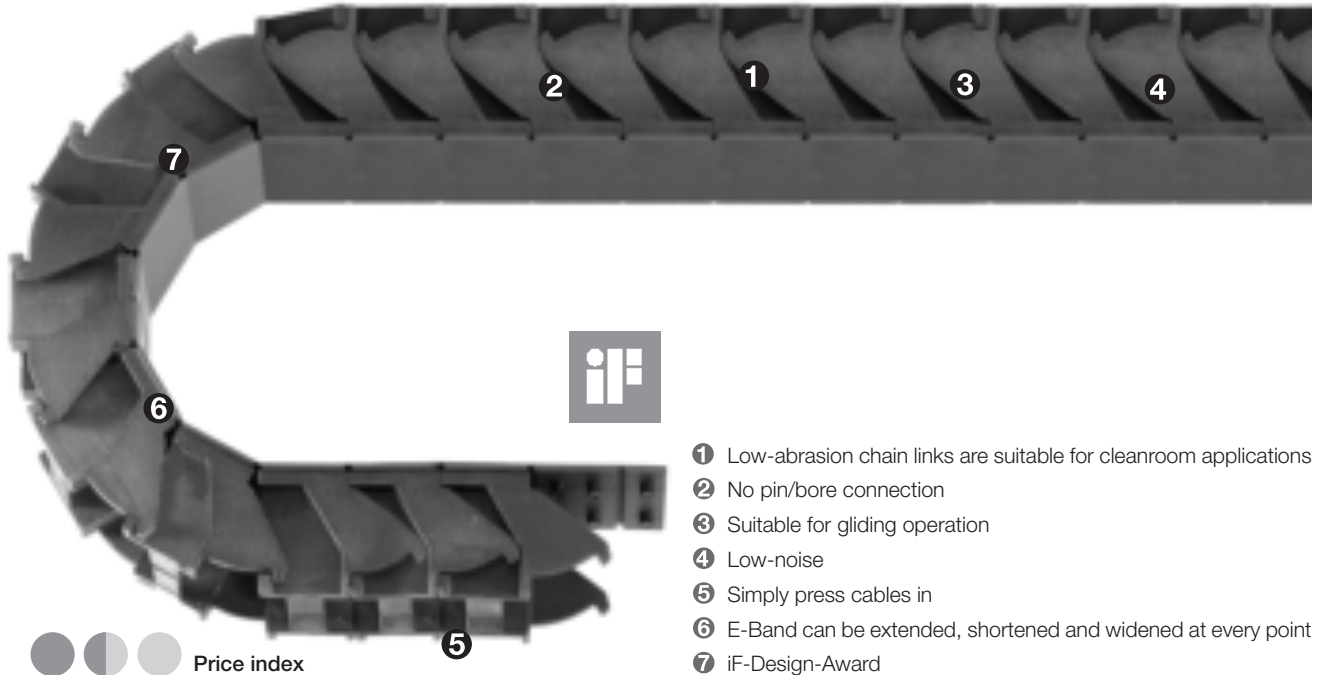


igus® E-ChainSystems®

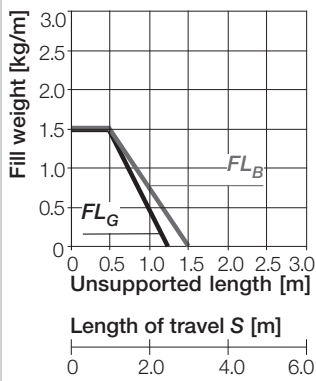


- ① Low-abrasion chain links are suitable for cleanroom applications
- ② No pin/bore connection
- ③ Suitable for gliding operation
- ④ Low-noise
- ⑤ Simply press cables in
- ⑥ E-Band can be extended, shortened and widened at every point
- ⑦ iF-Design-Award



Phone +49- (0) 22 03-96 49-800
Fax +49- (0) 22 03-96 49-222

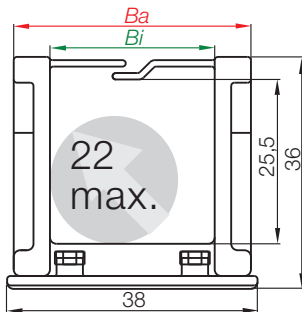
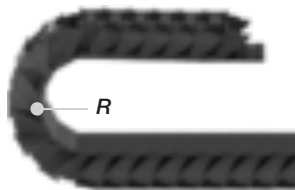
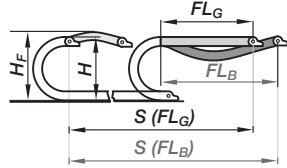
igus® GmbH
51147 Cologne



Unsupported length

FL_G = with straight upper run

FL_B = with permitted sag

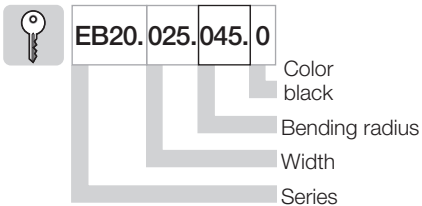


E-Band - split crossbar along the outer radius

Part No.	B_i [mm]	B_a [mm]	R [mm] Bending Radii
EB20.025. <input type="text"/> .0	25	36	045 063* 075*
			100* 125* 150*
			175* 200*
Radii for all widths!			
*available upon request!			

Supplement Part No. with required radius. Example: EB20.025. 045 .0
Bending radii listed above can be combined with every chain width!

Part No. structure



Order example 2,0 m complete E-Chain®
(indicate chain-lengths or number of links)

1,0 m (40 links) Series EB20.025.045.0

+ 1 set mounting brackets EB20.025.12.PZ