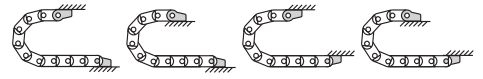
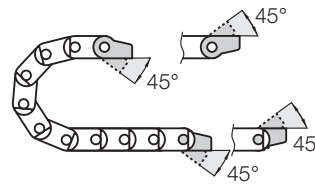




Steel mounting bracket - pivoting

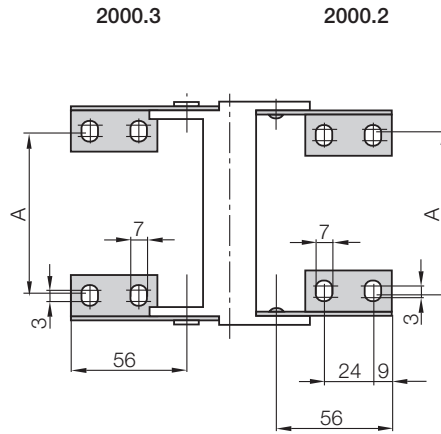
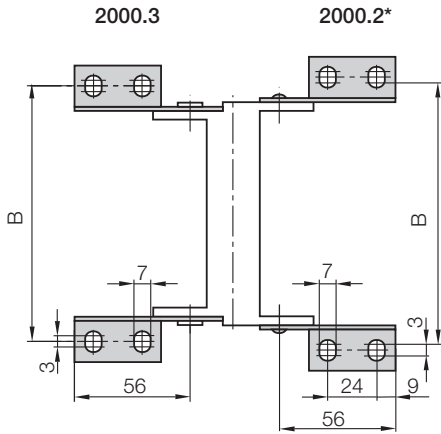
- Pivoting connections
- One part for all chain widths
- Electrically conductive
- Bolted connection outside of chain cross-section possible

Moving end with bore
(outer link) 2000.3



2000.2 Fixed end
with pin (inner link)

Possible installation conditions -
Further installation angles ► installation sketch



Dimensions and order configurations

*pivoting with no stop, (360°)

For E-Chain®	Part No. full set	Dim. A [mm]	Dim. B [mm]
2400 - 2500.02 ►	2000. 32	-	60
2400 - 2500.03 ►	2000. 32	25	73
2400 - 2500.05 ►	2000. 32	44	92
2400 - 2500.07 ►	2000. 32	64	112
2400 - 2500.09 ►	2000. 32	76	124
2400 - 2500.10 ►	2000. 32	90	138
2400 - 2500.12 ►	2000. 32	112	160

2000. 32 Full set, 4 parts
2 with pin / 2 with bore

Single-part order:

2000. 3 Mounting bracket with bore, 1 part left / right
2000. 2 Mounting bracket with pin, 1 part left / right

Phone +49- (0) 22 03-96 49-800
Fax +49- (0) 22 03-96 49-222

