

**Half e-tubes** | 2450 | Crossbars openable along inner radius from both sides, closed along outer radius

**Full e-tubes** | 2480 | Lids openable along inner radius from both sides, fully enclosed

Part No. half e-tubes openable along the inner radius	Part No. full e-tubes openable along the inner radius	<i>Bi</i> [mm]	<i>Ba</i> [mm]	<i>R</i> Available bend radii [mm]	2450	2480
					[kg/m]	[kg/m]
2450.02. <i>R</i> .0	2480.02. <i>R</i> .0	25	41	055*   075   100   125   150   175   200   225   250	≈ 0.80	≈ 0.82
2450.03. <i>R</i> .0	2480.03. <i>R</i> .0	38	54	055*   075   100   125   150   175   200   225   250	≈ 0.88	≈ 0.92
2450.05. <i>R</i> .0	2480.05. <i>R</i> .0	57	73	055*   075   100   125   150   175   200   225   250	≈ 0.99	≈ 1.03
2450.07. <i>R</i> .0	2480.07. <i>R</i> .0	77	93	055*   075   100   125   150   175   200   225   250	≈ 1.12	≈ 1.17
2450.09. <i>R</i> .0	2480.09. <i>R</i> .0	89	105	055*   075   100   125   150   175   200   225   250	≈ 1.20	≈ 1.26
2450.10. <i>R</i> .0	2480.10. <i>R</i> .0	103	119	055*   075   100   125   150   175   200   225   250	≈ 1.27	≈ 1.34
2450.12. <i>R</i> .0	2480.12. <i>R</i> .0	125	141	055*   075   100   125   150   175   200   225   250	≈ 1.35	≈ 1.43

\*Radius available upon request. Please consult igus® for delivery time.

For the 055 radius the e-tube is not completely enclosed. Please consult igus®.

Complete Part No. with required radius (*R*). Example: 2450.03.100.0

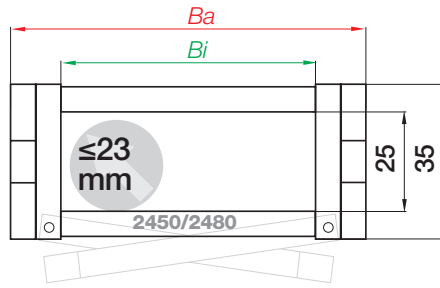
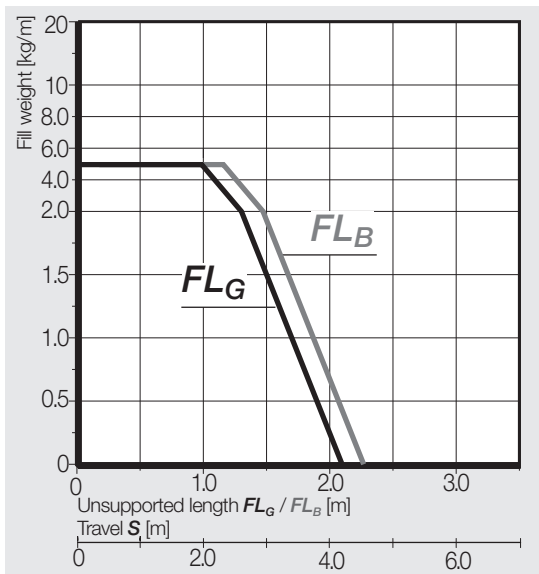
### Reduce assembly time - E2/000 e-chain® opener

- Reduce opening times from 33 to 2 seconds
  - Open a long chain section in one go
  - For widths *Bi* [mm]: 05, 07, 09
  - Part No. 908.254.2400 for series 2450
- More information ► [www.igus.eu/E2opener](http://www.igus.eu/E2opener)

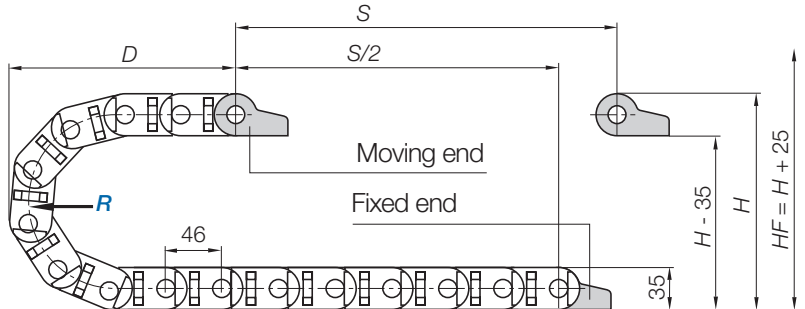




## Unsupported applications | Short travels



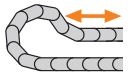
Inner height [mm]	25
Pitch [mm/link]	46
Links/m	22
corresponds to [mm]	1,012
Chain length	$L_K = \frac{S}{2} + K$



R	055*	075	100	125	150	175	200	225	250
H	145	185	235	285	335	385	435	485	535
D	142	162	187	212	237	262	287	312	337
K	265	330	410	485	565	645	725	800	880

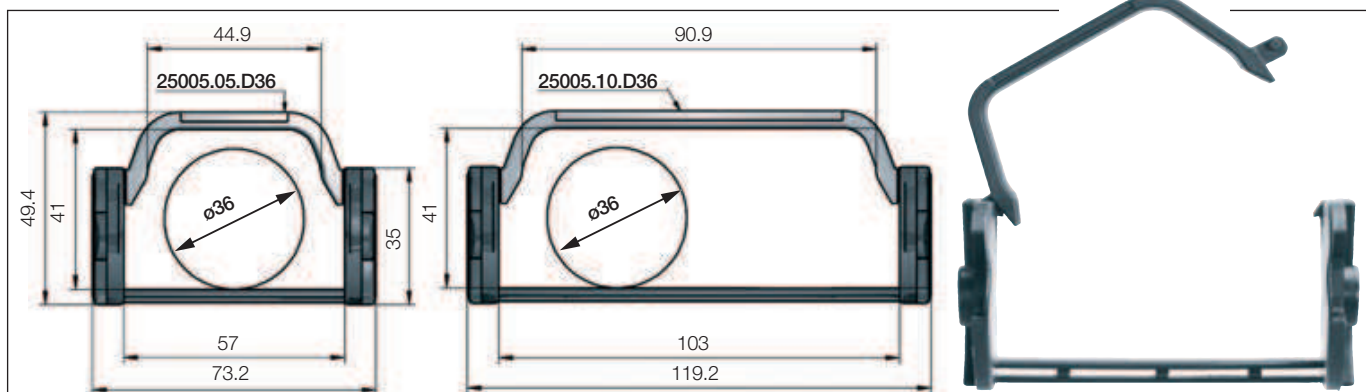
The required clearance height:  $H_F = H + 25\text{ mm}$  (with 1.5 kg/m fill weight)

\*Radius available upon request. Please consult igus® for delivery time. Before using series 2450/2480 on long travels please consult igus®.



If a gliding application is required for a long travel, please consult igus®

Extender crossbars | Product range



Extender crossbars only for series 2450 - large increase of the interior space for the smooth guiding of larger hoses.  
Suitable for hoses with a maximum outer diameter of 36 mm.

Part No. half e-tubes Extender crossbars openable along inner radius	<i>Bi</i> [mm]	<i>Ba</i> [mm]	<i>R</i> Available bend radii [mm]
2450.05 D36 .R.0	57	73	075   100   125   150   175   200   225   250
2450.10 D36 .R.0	103	119	075   100   125   150   175   200   225   250

Complete Part No. with required radius (*R*). Example: 2450.05D36.100.0

Separator with integrated strain relief teeth

- Can be integrated into the mounting bracket or placed at any point in the e-chain®
- It combines strain relief and interior separation, for restricted space conditions
- Strain relief separator is easy to assemble without any screws

Part No. 2020.ZR More information ► From page 1118



Steel support tray for support of the lower run

- Simple one-piece support trays for the lower run
- To your requirements and specification
- 4 variants available

More information ► From page 1062

