

Protection against dirt and swarf



Half e-tubes | Series 2450 | Crossbars openable along inner radius from both sides, closed along outer radius  
 Full e-tubes | Series 2480 | Lids openable along inner radius from both sides, fully enclosed

Part No. half e-tubes openable along the inner radius	Part No. full e-tubes openable along the inner radius	Bi [mm]	Ba [mm]	R Available bend radii [mm]	2450 [kg/m]	2480 [kg/m]
2450.02.R.0	2480.02.R.0	25	41	055*   075   100   125   150   175   200   225   250	≈ 0.80	≈ 0.82
2450.03.R.0	2480.03.R.0	38	54	055*   075   100   125   150   175   200   225   250	≈ 0.88	≈ 0.92
2450.05.R.0	2480.05.R.0	57	73	055   075   100   125   150   175   200   225   250	≈ 0.99	≈ 1.03
2450.07.R.0	2480.07.R.0	77	93	055   075   100   125   150   175   200   225   250	≈ 1.12	≈ 1.17
2450.09.R.0	2480.09.R.0	89	105	055*   075   100   125   150   175   200   225   250	≈ 1.20	≈ 1.26
2450.10.R.0	2480.10.R.0	103	119	055*   075   100   125   150   175   200   225   250	≈ 1.27	≈ 1.34
2450.12.R.0	2480.12.R.0	125	141	055*   075   100   125   150   175   200   225   250	≈ 1.35	≈ 1.43

\*Radius available upon request. Please consult igus® for price and delivery time.

For the 055 radius the e-tube is not completely enclosed. Please consult igus®.

Complete Part No. with required radius (R). Example: 2450.03.100.0



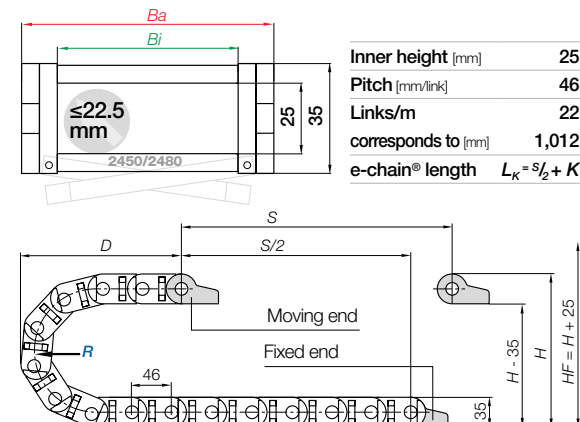
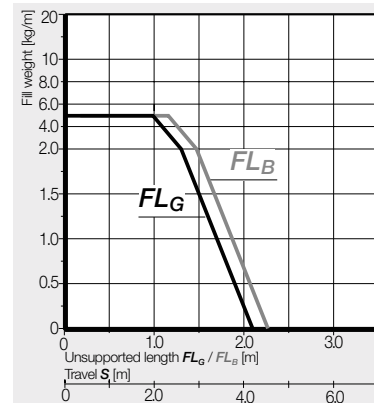
**Reduce assembly time - E2/000 e-chain® opener**

- Reduce opening times from 33 to 2 seconds
- Open a long e-chain® section in one go
- For widths Bi [mm]: 05, 07, 09
- Part No. 908.254.2400 for series 2450

More information ► [www.igus.co.uk/E2opener](http://www.igus.co.uk/E2opener)



Unsupported applications | Short travels

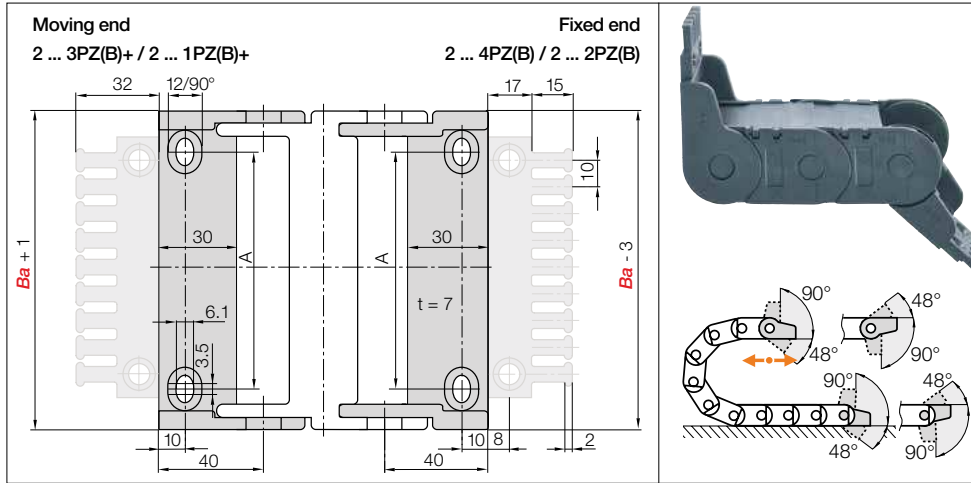


R	055*	075	100	125	150	175	200	225	250
H	145	185	235	285	335	385	435	485	535
D	142	162	187	212	237	262	287	312	337
K	265	330	410	485	565	645	725	800	880

The required clearance height:  $H_F = H + 25\text{mm}$  (with 1.5kg/m fill weight)

\*Radii for several widths available upon request (please see product range table). Before using series 2450/2480 on long travels please consult igus®.

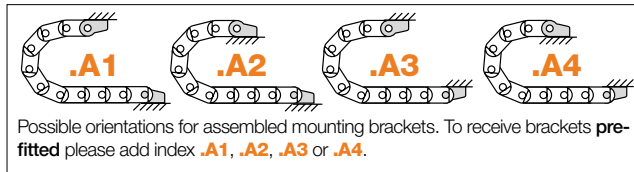
**i** If a gliding application is required for a long travel, please consult igus®.



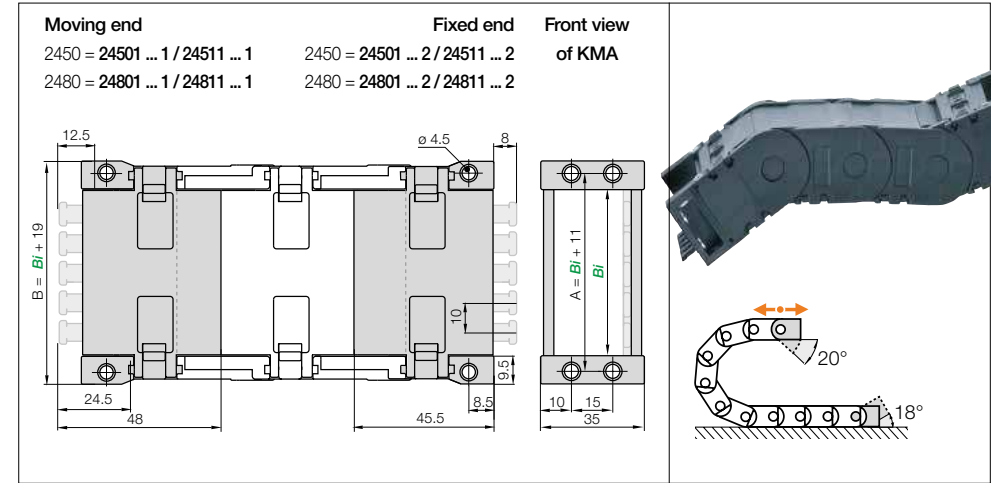
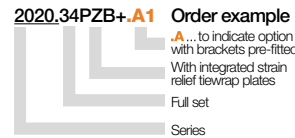
**Polymer pivoting** | Recommended for unsupported applications  
**Polymer locking** | Recommended for vertical hanging and standing applications

Width index	Part No. full set pivoting		Part No. full set locking		A [mm]	Number of teeth
	with tiwrap plates	without tiwrap plate	with tiwrap plates	without tiwrap plate		
02.	▶ 2020.34PZB+	2020.34PZ+	2020.12PZB+	2020.12PZ+	12	3
03.	▶ 2030.34PZB+	2030.34PZ+	2030.12PZB+	2030.12PZ+	25	4
05.	▶ 2050.34PZB+	2050.34PZ+	2050.12PZB+	2050.12PZ+	44	6
07.	▶ 2070.34PZB+	2070.34PZ+	2070.12PZB+	2070.12PZ+	64	8
09.	▶ 2090.34PZB+	2090.34PZ+	2090.12PZB+	2090.12PZ+	77	9
10.	▶ 2100.34PZB+	2100.34PZ+	2100.12PZB+	2100.12PZ+	90	10
12.	▶ 2125.34PZB+	2125.34PZ+	2125.12PZB+	2125.12PZ+	112	12

Full set with tiwrap plate + 10 cable tiwraps, please add index **K1**. Example: **2020.34PZBK1+**



Possible orientations for assembled mounting brackets. To receive brackets **pre-fitted** please add index **.A1, .A2, .A3 or .A4**.



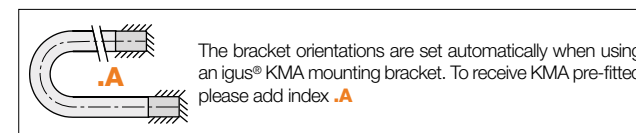
**KMA pivoting** | Recommended for unsupported applications  
**KMA locking** | Recommended for vertical hanging and standing applications

Width index	Part No. full set KMA pivoting <sup>1)</sup>				Part No. full set KMA locking <sup>2)</sup>				A [mm]	B [mm]	Number of teeth
	with tiwrap plates	without tiwrap plate	with tiwrap plates	without tiwrap plate	with tiwrap plates	without tiwrap plate	with tiwrap plates	without tiwrap plate			
02.	▶ 24501   24801 .02.12ZB	24501   24801 .02.12	24511   24811 .02.12ZB	24511   24811 .02.12	36	44	2				
03.	▶ 24501   24801 .03.12ZB	24501   24801 .03.12	24511   24811 .03.12ZB	24511   24811 .03.12	49	57	4				
05.	▶ 24501   24801 .05.12ZB	24501   24801 .05.12	24511   24811 .05.12ZB	24511   24811 .05.12	68	76	6				
07.	▶ 24501   24801 .07.12ZB	24501   24801 .07.12	24511   24811 .07.12ZB	24511   24811 .07.12	88	86	7				
09.	▶ 24501   24801 .09.12ZB	24501   24801 .09.12	24511   24811 .09.12ZB	24511   24811 .09.12	100	108	9				
10.	▶ 24501   24801 .10.12ZB	24501   24801 .10.12	24511   24811 .10.12ZB	24511   24811 .10.12	114	122	10				
12.	▶ 24501   24801 .12.12ZB	24501   24801 .12.12	24511   24811 .12.12ZB	24511   24811 .12.12	136	144	12				

1) KMA pivoting Part No. 24501 for half e-tube series 2450 / KMA pivoting Part No. 24801 for full e-tube series 2480

2) KMA locking Part No. 24511 for half e-tube series 2450 / KMA locking Part No. 24811 for full e-tube series 2480

(KMA = polymer metal mounting bracket)



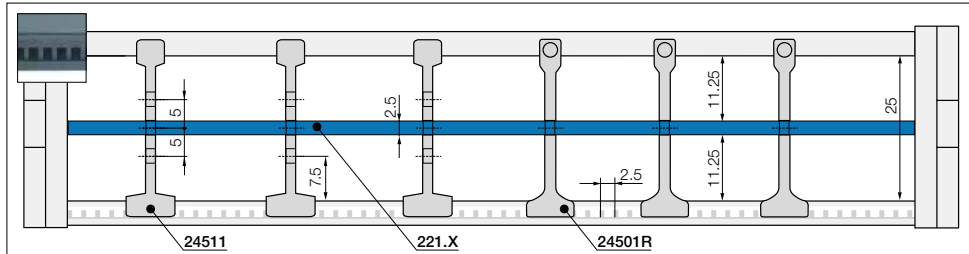
Option: steel mounting bracket, pivoting. For e-chains® and e-tubes, Part No. 2000.32

● Pivoting connections ● One part (2-piece) for all e-chain® widths ● Electrically conductive

**Strain relief** e.g. clamps, tiwrap plates, nuggets and plug-in clips are available from stock. The complete chainfix range with ordering options ▶ From page 1300

**Strain relief** e.g. clamps, tiwrap plates, nuggets and plug-in clips are available from stock. The complete chainfix range with ordering options ▶ From page 1300

Interior separation



No lateral gap to side links necessary.  
As standard separators are fitted every 2<sup>nd</sup> e-chain® link!

	<b>Slotted separator</b>
unassembled	<b>24501</b>
assembled	<b>24511</b>

**Slotted separator**  
Vertical separation in e-chains®. The slot allows basic vertical/horizontal shelving arrangements.

	<b>Notch separator for notched crossbar</b>
unassembled	<b>24501R</b>
assembled	<b>24501R.1</b>

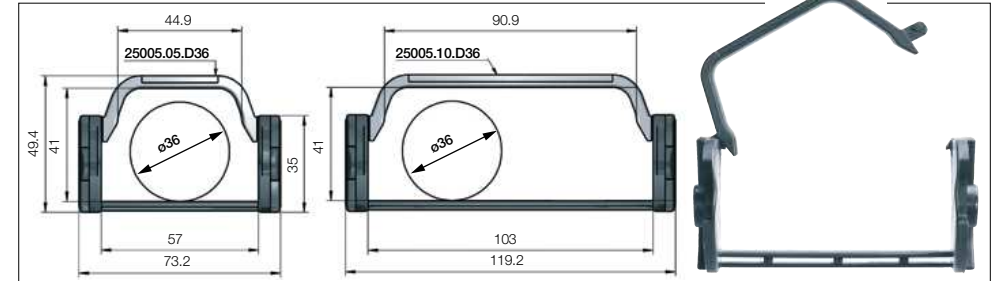
**Locks securely in preset increments**  
Notch separator for exact positioning in e-chains®. Recommended for side-mounted applications.  
Note: For this series notches only on fixed crossbars, not on openable crossbars/lids

	<b>Full-width shelf for e-tubes</b>
unassembled	<b>220.X</b>
assembled	<b>221.X</b>

**Full-width shelf**  
This option is for applications with many small cables with similar diameters. For full width separation.

Full-width shelves Width = X [mm]	X [mm]	unassembled	assembled	X [mm]	unassembled	assembled	X [mm]	unassembled	assembled
		025	220.25	221.25	077	220.77	221.77	125	220.125
	038	220.38	221.38	090	220.90	221.90			
	057	220.57	221.57	103	220.103	221.103			

e-chains® with extender crossbar | Product Range



e-chains® with extender crossbars only for series 2450 - large increase of the interior space for the smooth guiding of large hoses. Suitable for hoses with a maximum outer diameter of 36mm.

Part No. half e-tubes extender crossbars openable along the inner radius	Bi [mm]	Ba [mm]	R Available bend radii [mm]
2450.05 D36 .R.0	57	73	075   100   125   150   175   200   225   250
2450.10 D36 .R.0	103	119	075   100   125   150   175   200   225   250

Complete Part No. with required radius (R). Example: 2450.05D36.100.0

Separator with integrated strain relief teeth

- Can be integrated into the mounting bracket or placed at any point in the e-chain®
- Combines strain relief and interior separation, for restricted space conditions
- Strain relief separator is easy to assemble without any screws

Part No. 2020.ZR. More information ► From page 1326



Aluminium support tray

- Corrosion-resistant and seawater-resistant aluminium rails with adjustable width
- Noise-reducing glide strip integrated as standard
- Easy installation and connection of the e-chain®
- Open design - dirt and debris fall through

More information ► From page 1270

