

e-chains® | Series 2600 | Crossbars openable along the inner radius, from both sides

e-chains® | Series 2700 | Crossbars openable along the outer radius, from both sides

Part No. e-chains® openable along inner radius	Part No. e-chains® openable along outer radius	<i>Bi</i> [mm]	<i>Ba</i> [mm]	<i>R</i> Available bend radii [mm]											2600 [kg/m]	2700 [kg/m]
				063	075	100	125	150	175	200	250					
2600.05.R.0	2700.05.R.0 ¹⁾	50	66	063	075	100	125	150	175	200	250	≈ 1.17	≈ 1.17			
2600.06.R.0	2700.06.R.0 ¹⁾	65	81	063	075	100	125	150	175	200	250	≈ 1.24	≈ 1.24			
2600.07.R.0	2700.07.R.0 ¹⁾	75	91	063	075	100	125	150	175	200	250	≈ 1.30	≈ 1.30			
2600.09.R.0	2700.09.R.0 ¹⁾	90	106	063	075	100	125	150	175	200	250	≈ 1.37	≈ 1.37			
2600.10.R.0	2700.10.R.0 ¹⁾	100	116	063	075	100	125	150	175	200	250	≈ 1.39	≈ 1.39			
2600.12.R.0	2700.12.R.0 ¹⁾	125	141	063	075	100	125	150	175	200	250	≈ 1.48	≈ 1.48			
2600.15.R.0	2700.15.R.0	150	166	063	075	100	125	150	175	200	250	≈ 1.62	≈ 1.62			
2600.17.R.0	2700.17.R.0	175	194	063	075	100	125	150	175	200	250	≈ 1.85	≈ 1.85			

1) ⚠ ESD/ATEX version available from stock

Half e-tubes, series 2650 and full e-tube series 2680 ▶ From page 340

Complete Part No. with required radius (*R*). Example: 2700.05.100.0

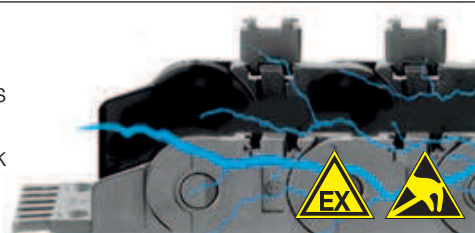
Reduce assembly time - E2/000 e-chain® opener

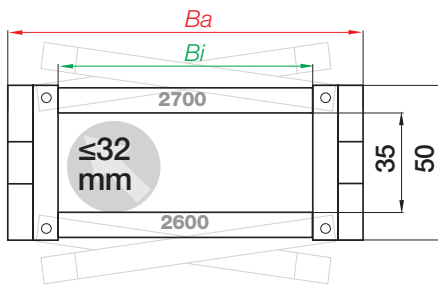
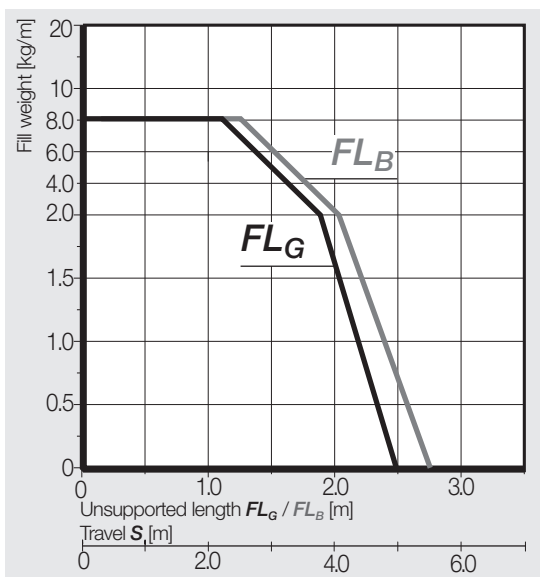
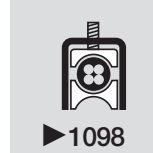
- Reduce opening times from 33 to 2 seconds
 - Open a long chain section in one go
 - For widths *Bi* [mm]: 06, 07, 09, 10
 - Part No. 908.254.2600 for series 2600/2700
- More information ▶ www.igus.eu/E2opener



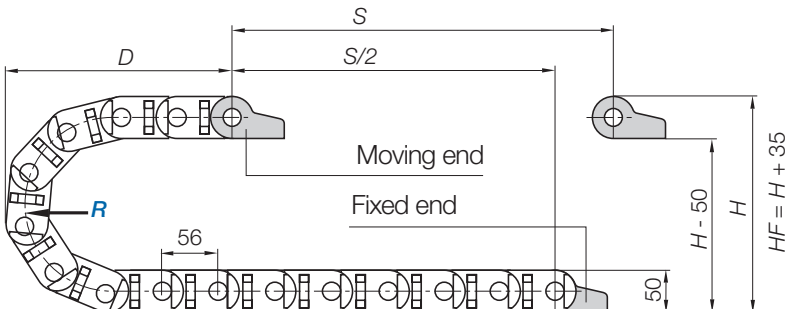
ESD/ATEX e-chains® - many sizes from stock

- ESD material tested with over 10 million cycles for the most demanding applications
 - Standardised product - igumid ESD with PTB certificate
 - Short delivery times including mounting brackets and interior separation; 24hrs, from stock
- More information ▶ www.igus.eu/esd





Inner height [mm]	35
Pitch [mm/link]	56
Links/m	18
corresponds to [mm]	1,008
Chain length	$L_K = S/2 + K$

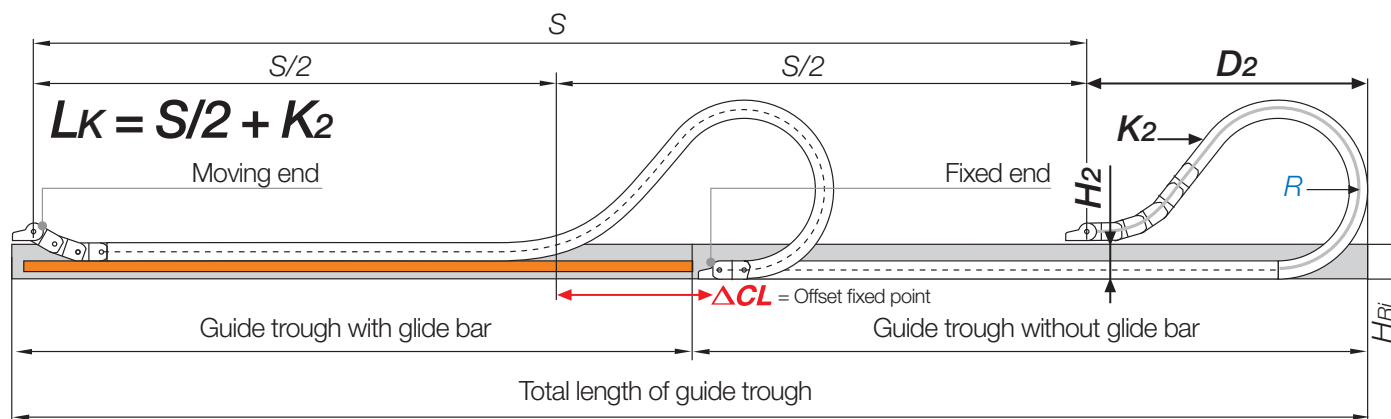


R	063	075	100	125	150	175	200	250
H	176	200	250	300	350	400	450	550
D	172	184	209	234	259	284	309	359
K	310	350	430	505	585	665	745	900

The required clearance height: $H_F = H + 35\text{ mm}$ (with 2.0 kg/m fill weight)

Before using series 2600 on long travels please consult igus®.

Gliding applications | For long travels from 10 m to max. 120 m



Note: before using series 2600/2650/2680 on long travels please consult igus®.

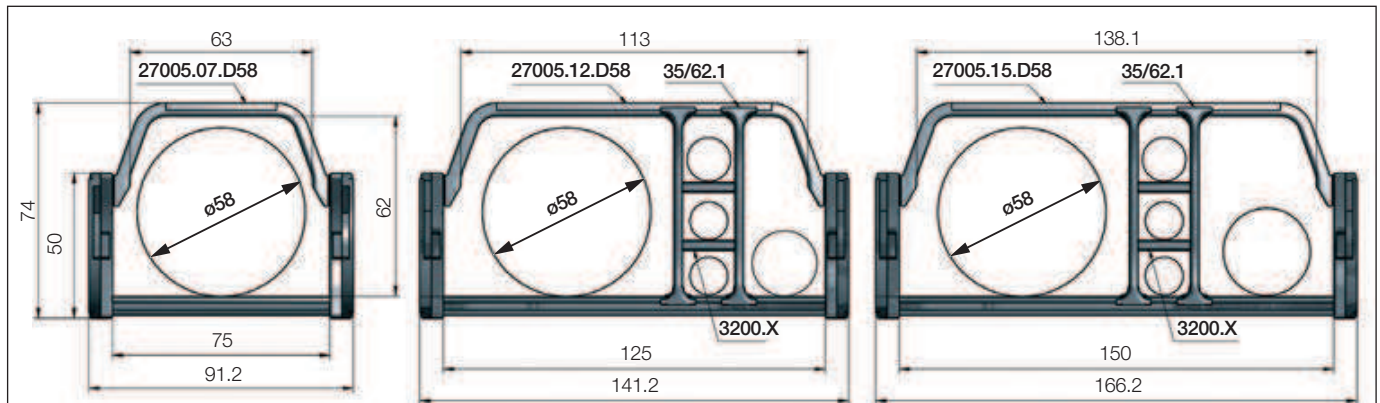
For long travels, igus® recommends series 2700 openable along the outer radius.

In case of travels between 5 and 10 m we recommend an e-chain® with a longer unsupported length.

R	063	075	100	125	150	175	200	250
H ₂	130	150	166	166	166	166	166	166
D ₂ ⁺²⁵	140	150	395	510	545	700	805	995
K ₂	335	375	616	784	896	1,120	1,288	1,624
ΔCL	–	–	144	244	244	374	464	594

Before using series 2600 on long travels please consult igus®.

Extender crossbars | Product range



Extender crossbars - large increase of the interior space for the smooth guiding of larger hoses.
Suitable for hoses with a maximum outer diameter of 58 mm.

Part No. e-chains® Extender crossbars openable along inner radius	Part No. e-chains® Extender crossbars openable along outer radius	<i>Bi</i> [mm]	<i>Ba</i> [mm]	<i>R</i> Available bend radii [mm]
2600.07 D58 .R.0	2700.07 D58 .R.0	75	91	063* 075* 100 125 150 175 200 250
2600.12 D58 .R.0	2700.12 D58 .R.0	125	141	063* 075* 100 125 150 175 200 250
2600.15 D58 .R.0	2700.15 D58 .R.0	150	166	063* 075* 100 125 150 175 200 250

* Radius 063 and 075 only possible with e-chains® series 2700, openable along outer radius.

Complete Part No. with required radius (*R*). Example: 2500.05D36.100.0

Interior separation for extender crossbars

		Separator extender crossbars unassembled 35/62.1 assembled 35/62.1.1
		Shelf, lockable unassembled 3200.X assembled 3210.X

Standard separator, wide base

Separator with a wide base for maximum holding strength in the e-chain®. As standard igus® separators should be fitted every 2nd e-chain® link.

Horizontal separation

Full-width shelf locks securely into separators at both ends, giving a fixed width. Can be used as full-width or partial shelf.

Separator with integrated strain relief teeth

- Can be integrated into the mounting bracket or placed at any point in the e-chain®
- It combines strain relief and interior separation, for restricted space conditions
- Strain relief separator is easy to assemble without any screws

Part No. 262.Z More information ► From page 1118



Steel support tray for support of the lower run

- Simple one-piece support trays for the lower run
- To your requirements and specification
- 4 variants available

More information ► From page 1062

