



Half e-tubes | 2650 | Crossbars openable along inner radius from both sides, closed along outer radius

Full e-tubes | 2680 | Lids openable along inner radius from both sides, fully enclosed

Part No. e-chains® openable along inner radius	Part No. e-chains® openable along outer radius	<i>Bi</i> [mm]	<i>Ba</i> [mm]	<i>R</i> Available bend radii [mm]	2650 [kg/m]	2680 [kg/m]
2650.05.R.0	2680.05.R.0	50	66	063* 075* 100 125 150 175 200 250	≈ 1.25	≈ 1.33
2650.06.R.0	2680.06.R.0	65	81	063* 075* 100 125 150 175 200 250	≈ 1.36	≈ 1.43
2650.07.R.0	2680.07.R.0	75	91	063* 075* 100 125 150 175 200 250	≈ 1.40	≈ 1.51
2650.09.R.0	2680.09.R.0	90	106	063* 075* 100 125 150 175 200 250	≈ 1.55	≈ 1.62
2650.10.R.0	2680.10.R.0	100	116	063* 075* 100 125 150 175 200 250	≈ 1.61	≈ 1.81
2650.12.R.0	2680.12.R.0	125	141	063* 075* 100 125 150 175 200 250	≈ 1.70	≈ 1.99
2650.15.R.0	2680.15.R.0	150	166	063* 075* 100 125 150 175 200 250	≈ 1.80	≈ 2.17
2650.17.R.0	2680.17.R.0	175	194	063* 075* 100 125 150 175 200 250	≈ 2.00	≈ 2.35

*Radius available upon request. Please consult igus® for delivery time.

Radii 063, 075: the e-tube is not completely enclosed. Please consult igus®.

Complete Part No. with required radius (*R*). Example: 2650.05.100.0

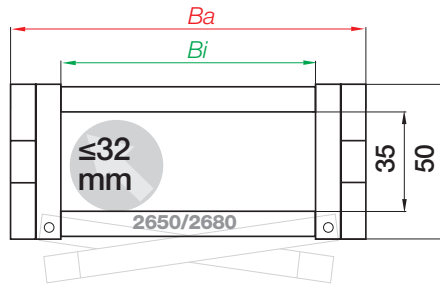
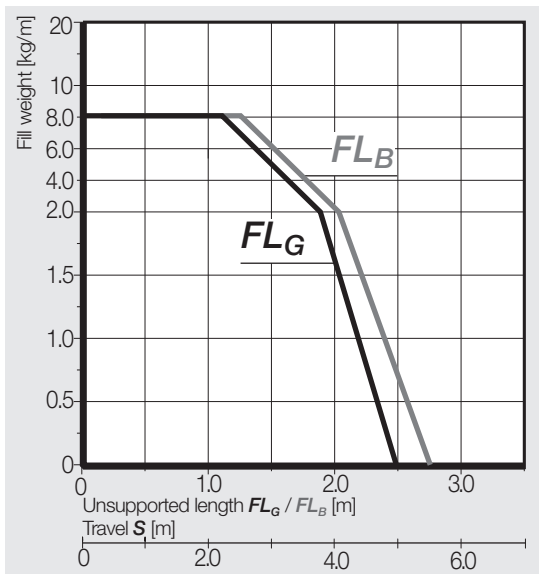
Reduce assembly time - E2/000 e-chain® opener

- Reduce opening times from 33 to 2 seconds
 - Open a long chain section in one go
 - For widths *Bi* [mm]: 06, 07, 09, 10
 - Part No. 908.254.2600 for series 2650
- More information ► www.igus.eu/E2opener

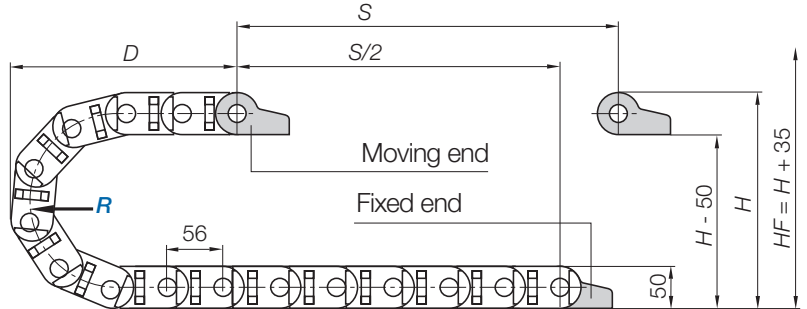




Unsupported applications | Short travels



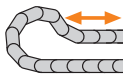
Inner height [mm]	35
Pitch [mm/link]	56
Links/m	18
corresponds to [mm]	1,008
Chain length	$L_K = S/2 + K$



R	063*	075*	100	125	150	175	200	250
H	176	200	250	300	350	400	450	550
D	172	184	209	234	259	284	309	359
K	310	350	430	505	585	665	745	900

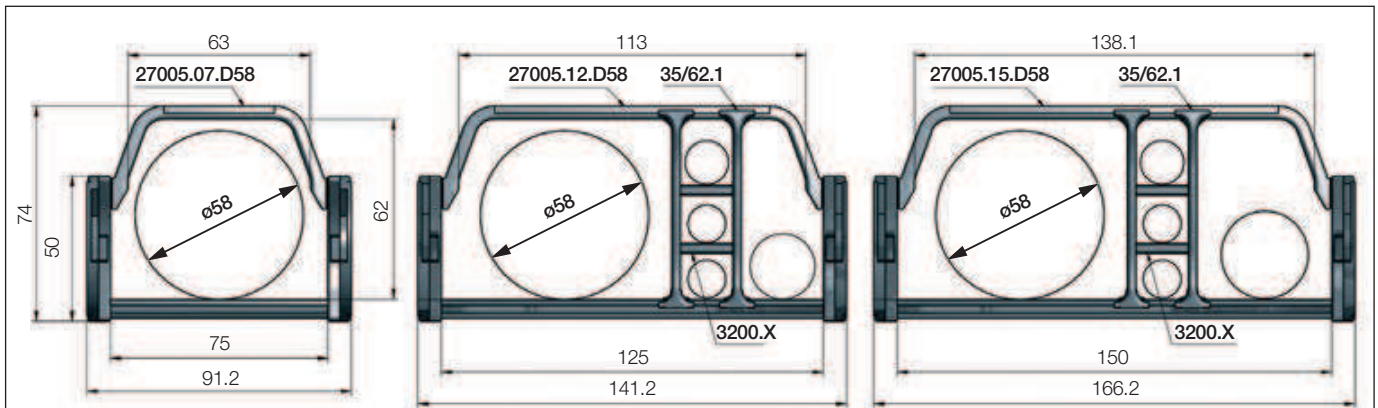
The required clearance height: $H_F = H + 35 \text{ mm}$ (with 2.0 kg/m fill weight)

*Radius available upon request. Please consult igus® for delivery time. Before using series 2650/2680 on long travels please consult igus®.



If a gliding application is required for a long travel, please consult igus®

Extender crossbars | Product range



Extender crossbars only for series 2650 - large increase of the interior space for the smooth guiding of larger hoses.
Suitable for hoses with a maximum outer diameter of 58 mm.

Part No. half e-tubes Extender crossbars openable along inner radius	<i>Bi</i> [mm]	<i>Ba</i> [mm]	<i>R</i> Available bend radii [mm]
2650.07 D58 .R.0	75	91	100 125 150 175 200 250
2650.12 D58 .R.0	125	141	100 125 150 175 200 250
2650.15 D58 .R.0	150	166	100 125 150 175 200 250

Complete Part No. with required radius (*R*). Example: 2650.15D58.100.0

Interior separation for extender crossbars

	<p>Separator extender crossbars</p> <p>unassembled 35/62.1 assembled 35/62.1.1</p>
	<p>Shelf, lockable</p> <p>unassembled 3200.X assembled 3210.X</p>

Standard separator, wide base

Separator with a wide base for maximum holding strength in the e-chain®. As standard igus® separators should be fitted every 2nd e-chain® link.

Horizontal separation

Full-width shelf locks securely into separators at both ends, giving a fixed width. Can be used as full-width or partial shelf.

Steel support tray for support of the lower run

- Simple one-piece support trays for the lower run
- To your requirements and specification
- 4 variants available

More information ► From page 1062

