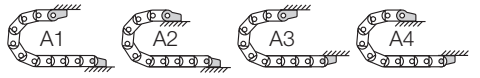


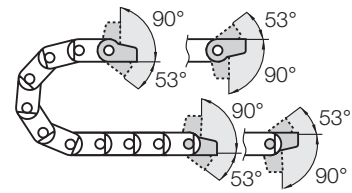
The Standard - option polymer - pivoting

- Recommended for unsupported and gliding applications
- Well suited for tight installation conditions
- Strain relief with detachable tiwrap plates
- Variable traverse angle for flexible assembly
- The twistability of the E-Chain® and the option to assemble the mounting brackets on the fixed end and/or the moving end, enable various installation options

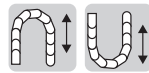


Possible installation conditions for assembled mounting brackets ▶ Order example "preassembled" below

Moving end with bore
(outer link) 3...3PZ(B)

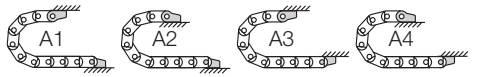


3...4PZ(B) Fixed end
with pin (inner link)



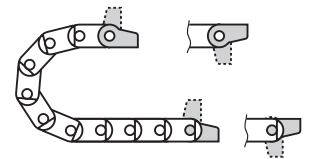
Option polymer - locking

- Recommended for unsupported and gliding applications
- Furthermore:
 - At very high speed and/or acceleration
 - If space is limited for height (the H_F measurement)
 - The twistability of the E-Chain® and the option to assemble the mounting brackets on the fixed end and/or the moving end, enable various installation options



Possible installation conditions for assembled mounting brackets ▶ Order example "preassembled" below

Moving end with bore
(outer link) 3...1PZ(B)



3...2PZ(B) Fixed end
with pin (inner link)

Dimensions and order configurations

Strain relief is possible on the moving end and/or the fixed end.

Part No. structure (pivoting)

3075. 34 PZB A1

A... must be indicated on preassembled configurations
With assembled strain relief tiwrap plates
Full set pivoting = 34
Mounting brackets for selected chain type

Full set, for both ends:

3075. 34 PZB + tiwrap plate

Single-part order:

3075. 3 PZB + tiwrap plate

Mounting bracket with bore

3075. 4 PZB + tiwrap plate

Mounting bracket with pin

Part No. structure (locking)

3075. 12 PZB A1

A... must be indicated on preassembled configurations
With assembled strain relief tiwrap plates
Full set locking = 12
Mounting brackets for selected chain type

Full set, for both ends:

3075. 12 PZB + tiwrap plate

Single-part order:

3075. 1 PZB + tiwrap plate

Mounting bracket with bore

3075. 2 PZB + tiwrap plate

Mounting bracket with pin

3...3PZ(B) Standard! (pivoting)

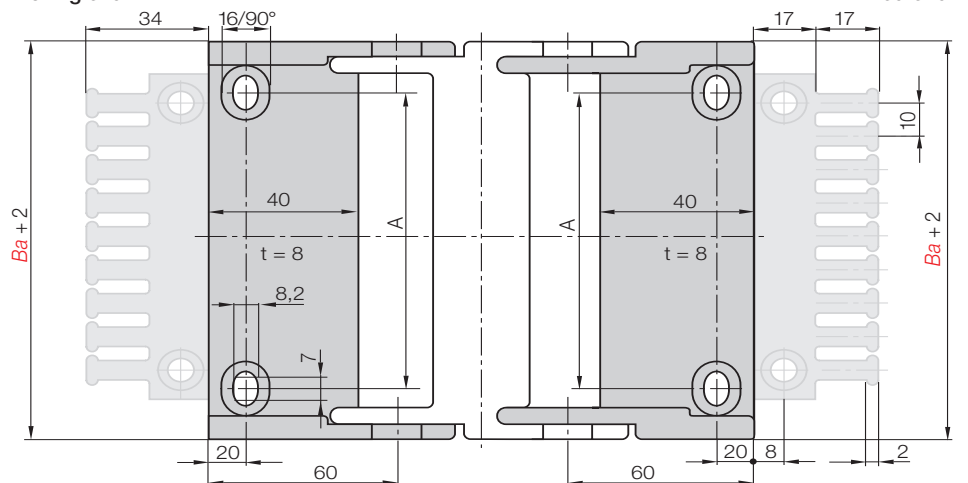
3...1PZ(B) (locking)

Moving end

Standard! (pivoting) 3...4PZ(B)

(locking) 3...2PZ(B)

Fixed end



For E-Chain®	Part No. full set with tiwrap plate	Part No. with tiwrap plate + 10 cable tiwraps	Part No. full set without tiwrap plate	Dim. A [mm]
3400 - 3500.050 ▶	3050. <input type="checkbox"/> PZB	3050. <input type="checkbox"/> PZBK1	3050. <input type="checkbox"/> PZ	28
3400 - 3500.075 ▶	3075. <input type="checkbox"/> PZB	3075. <input type="checkbox"/> PZBK1	3075. <input type="checkbox"/> PZ	53
3400 - 3500.100 ▶	3100. <input type="checkbox"/> PZB	3100. <input type="checkbox"/> PZBK1	3100. <input type="checkbox"/> PZ	78
3400 - 3500.115 ▶	3115. <input type="checkbox"/> PZB	3115. <input type="checkbox"/> PZBK1	3115. <input type="checkbox"/> PZ	93
3400 - 3500.125 ▶	3125. <input type="checkbox"/> PZB	3125. <input type="checkbox"/> PZBK1	3125. <input type="checkbox"/> PZ	103
3400 - 3500.150 ▶	3150. <input type="checkbox"/> PZB	3150. <input type="checkbox"/> PZBK1	3150. <input type="checkbox"/> PZ	128
3400 - 3500.175 ▶	3175. <input type="checkbox"/> PZB	3175. <input type="checkbox"/> PZBK1	3175. <input type="checkbox"/> PZ	153
3400 - 3500.200 ▶	3200. <input type="checkbox"/> PZB	3200. <input type="checkbox"/> PZBK1	3200. <input type="checkbox"/> PZ	178
3400 - 3500.225 ▶	3225. <input type="checkbox"/> PZB	3225. <input type="checkbox"/> PZBK1	3225. <input type="checkbox"/> PZ	203
3400 - 3500.250 ▶	3250. <input type="checkbox"/> PZB	3250. <input type="checkbox"/> PZBK1	3250. <input type="checkbox"/> PZ	228

Please add the Part No. with the requested index - 34 for the pivoting configuration

e.g. 3075. 34 PZB or 12 for the locking configuration e.g. 3075. 12 PZB

For the preassembled mode please add the index A1...A4 e.g. 3075. 34 PZB A1