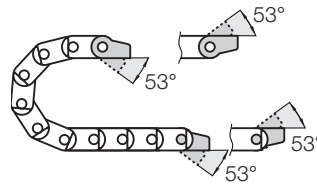




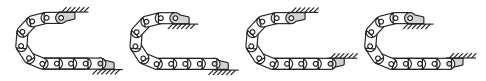
Steel mounting bracket - pivoting

- Pivoting connections
- One part for all chain widths
- Electrically conductive
- Bolted connection outside of chain cross-section possible

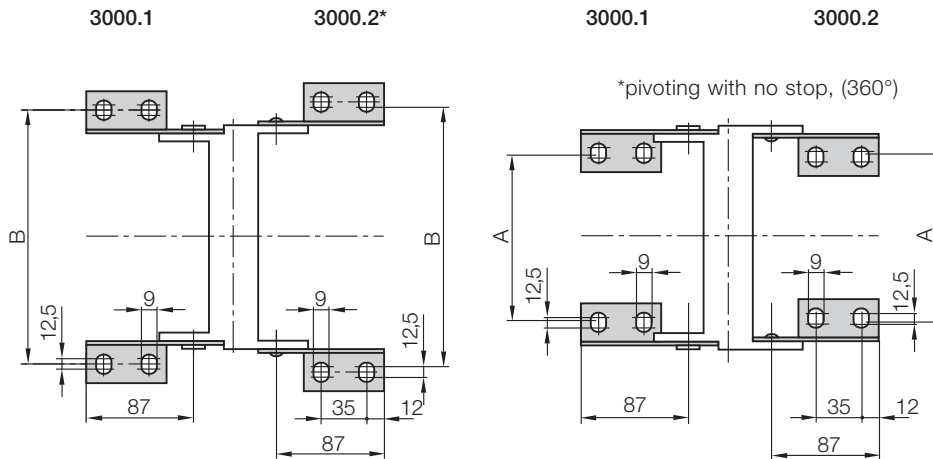
Moving end with bore
(outer link) 3000.1



3000.2 Fixed end
with pin (inner link)



Possible installation conditions -
Further installation angles ► installation sketch



Dimensions and order configurations

| For E-Chain® | Part No. full set | Dim. A [mm] | Dim. B [mm] | Dim. C [mm] |
|-------------------|-------------------|-------------|-------------|-------------|
| 3400 - 3500.050 ► | 3000.12 | 28 | 86 | 97 |
| 3400 - 3500.075 ► | 3000.12 | 53 | 111 | 122 |
| 3400 - 3500.100 ► | 3000.12 | 78 | 136 | 147 |
| 3400 - 3500.115 ► | 3000.12 | 93 | 151 | 162 |
| 3400 - 3500.125 ► | 3000.12 | 103 | 161 | 172 |
| 3400 - 3500.150 ► | 3000.12 | 128 | 186 | 197 |
| 3400 - 3500.175 ► | 3000.12 | 153 | 212 | 224 |
| 3400 - 3500.200 ► | 3000.12 | 178 | 236 | 247 |
| 3400 - 3500.225 ► | 3000.12 | 203 | 261 | 272 |
| 3400 - 3500.250 ► | 3000.12 | 228 | 286 | 297 |

3000.12 Full set, 4 parts
2 with pin / 2 with bore

Single-part order:

3000.1 Mounting bracket
with bore, 1 part left / right

3000.2 Mounting bracket
with pin, 1 part left / right

Phone +49- (0) 22 03-96 49-800
Fax +49- (0) 22 03-96 49-222

