



Half e-tubes | 3450 | Crossbars openable along inner radius from both sides, closed along outer radius

Full e-tubes | 3480 | Lids openable along inner radius from both sides, fully enclosed

Part No. half e-tubes openable along the inner radius	Part No. full e-tubes openable along the inner radius	<i>Bi</i> [mm]	<i>Ba</i> [mm]	<i>R</i> Available bend radii [mm]	3450 [kg/m]	3480 [kg/m]
3450.050 . <i>R</i> .0	3480.050 . <i>R</i> .0	50	70	075* 100* 125 150 200 250 300	≈ 1.77	≈ 1.96
3450.075 . <i>R</i> .0	3480.075 . <i>R</i> .0	75	95	075* 100* 125 150 200 250 300	≈ 1.95	≈ 2.07
3450.100 . <i>R</i> .0	3480.100 . <i>R</i> .0	100	120	075* 100* 125 150 200 250 300	≈ 2.15	≈ 2.30
3450.115 . <i>R</i> .0	3480.115 . <i>R</i> .0	115	135	075* 100* 125 150 200 250 300	≈ 2.30	≈ 2.46
3450.125 . <i>R</i> .0	3480.125 . <i>R</i> .0	125	145	075* 100* 125 150 200 250 300	≈ 2.42	≈ 2.49
3450.150 . <i>R</i> .0	3480.150 . <i>R</i> .0	150	170	075* 100* 125 150 200 250 300	≈ 2.60	≈ 2.62
3450.175 . <i>R</i> .0	3480.175 . <i>R</i> .0	175	195	075* 100* 125 150 200 250 300	≈ 2.75	≈ 2.80
3450.200 . <i>R</i> .0	3480.200 . <i>R</i> .0	200	220	075* 100* 125 150 200 250 300	≈ 2.90	≈ 2.94
3450.225 . <i>R</i> .0	3480.225 . <i>R</i> .0	225	245	075* 100* 125 150 200 250 300	≈ 3.12	≈ 3.15
3450.250 . <i>R</i> .0	3480.250 . <i>R</i> .0	250	270	075* 100* 125 150 200 250 300	≈ 3.30	≈ 3.28

*Radius available upon request. Please consult igus® for delivery time.

Radii 075, 100: the e-tube is not completely enclosed. Please consult igus®.

Complete Part No. with required radius (*R*). Example: 3450.075.200.0

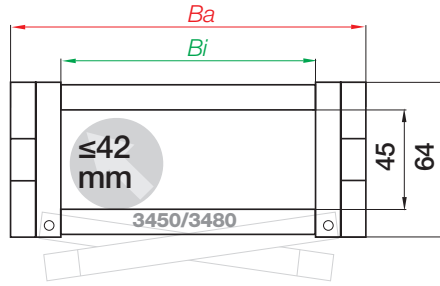
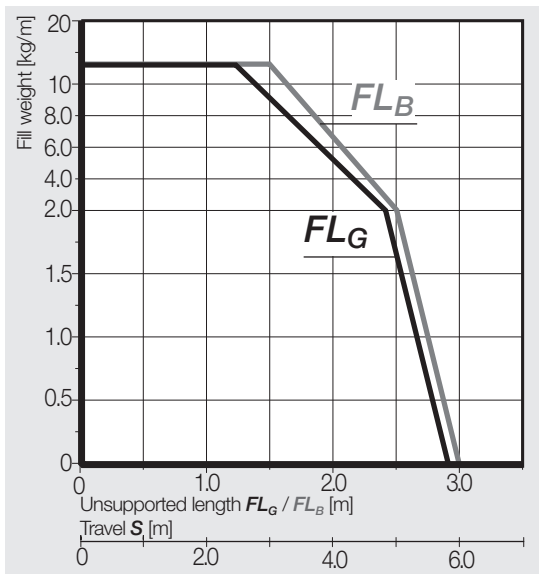
Reduce assembly time - E2/000 e-chain® opener

- Reduce opening times from 33 to 2 seconds
 - Open a long chain section in one go
 - For widths *Bi* [mm]: 050, 075, 100, 115
 - Part No. 908.254.3400 for series 3450
- More information ► www.igus.eu/E2opener

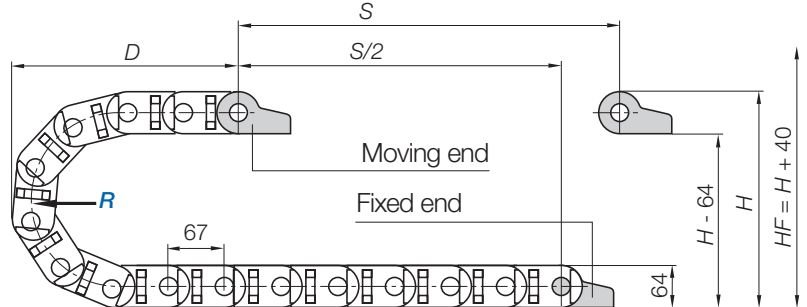




Unsupported applications | Short travels



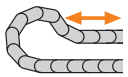
Inner height [mm]	45
Pitch [mm/link]	67
Links/m	15
corresponds to [mm]	1,005
Chain length	$L_K = S/2 + K$



R	075*	100*	125	150	200	250	300
H	214	264	314	364	464	564	664
D	208	233	258	283	333	383	433
K	370	450	530	610	765	920	1,080

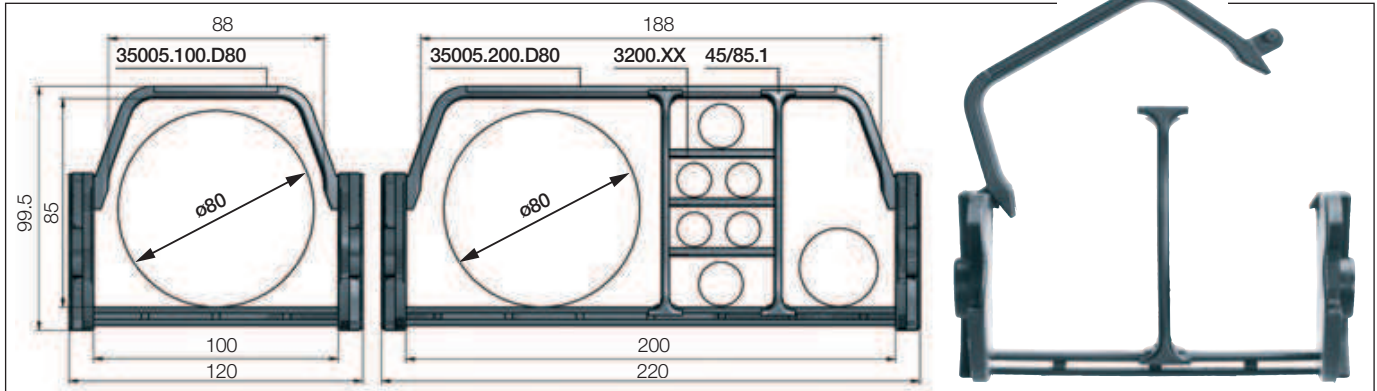
The required clearance height: $H_F = H + 40$ mm (with 2.5 kg/m fill weight)

*Radius available upon request. Please consult igus® for delivery time. Before using series 3450/3480 on long travels please consult igus®.



If a gliding application is required for a long travel, please consult igus®

Extender crossbars | Product range



Extender crossbars only for series 3450 - large increase of the interior space for the smooth guiding of larger hoses.
Suitable for hoses with a maximum outer diameter of 80 mm.

Part No. half e-tubes Extender crossbars openable along inner radius	<i>Bi</i> [mm]	<i>Ba</i> [mm]	<i>R</i> Available bend radii [mm]
3450.100.D80.R.0	100	120	125 150 200 250 300
3450.200.D80.R.0	200	220	125 150 200 250 300

Complete Part No. with required radius (*R*). Example: 3450.100D80.200.0

Interior separation for extender crossbars

		<p>Separator extender crossbars</p> <p>unassembled 45/85.1 assembled 45/85.1.1</p>
		<p>Shelf, lockable</p> <p>unassembled 3200.X assembled 3210.X</p>

Standard separator, wide base

Separator with a wide base for maximum holding strength in the e-chain®. As standard igus® separators should be fitted every 2nd e-chain® link.

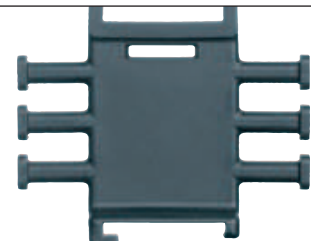
Horizontal separation

Full-width shelf locks securely into separators at both ends, giving a fixed width. Can be used as full-width or partial shelf.

Separator with integrated strain relief teeth

- Can be integrated into the mounting bracket or placed at any point in the e-chain®
- It combines strain relief and interior separation, for restricted space conditions
- Strain relief separator is easy to assemble without any screws

Part No. 34501.Z More information ► From page 1118



Steel support tray for support of the lower run

- Simple one-piece support trays for the lower run
- To your requirements and specification
- 4 variants available

More information ► From page 1062

