

e-chains® | Series 3400 | Crossbars openable along the inner radius, from both sides
 e-chains® | Series 3500 | Crossbars openable along the outer radius, from both sides

Part No. e-chains® openable along inner radius	Part No. e-chains® openable along outer radius	<i>Bi</i> [mm]	<i>Ba</i> [mm]	<i>R</i> Available bend radii [mm]	3400	3500
					[kg/m]	[kg/m]
3400.050 .R.0	3500.050 .R.0	50	70	075 100 125 150 200 250 300	≈ 1.60	≈ 1.60
3400.075 .R.0	3500.075 .R.0	75	95	075 100 125 150 200 250 300	≈ 1.78	≈ 1.78
3400.100 .R.0	3500.100 .R.0	100	120	075 100 125 150 200 250 300	≈ 1.93	≈ 1.93
3400.115 .R.0	3500.115 .R.0	115	135	075 100 125 150 200 250 300	≈ 1.99	≈ 1.99
3400.125 .R.0	3500.125 .R.0	125	145	075 100 125 150 200 250 300	≈ 2.03	≈ 2.03
3400.150 .R.0	3500.150 .R.0	150	170	075 100 125 150 200 250 300	≈ 2.17	≈ 2.17
3400.175 .R.0	3500.175 .R.0	175	195	075 100 125 150 200 250 300	≈ 2.28	≈ 2.28
3400.200 .R.0	3500.200 .R.0	200	220	075 100 125 150 200 250 300	≈ 2.45	≈ 2.45
3400.225 .R.0	3500.225 .R.0	225	245	075 100 125 150 200 250 300	≈ 2.59	≈ 2.59
3400.250 .R.0	3500.250 .R.0	250	270	075 100 125 150 200 250 300	≈ 2.73	≈ 2.73

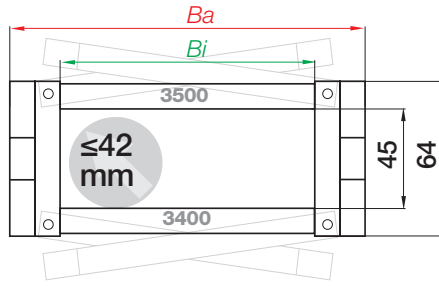
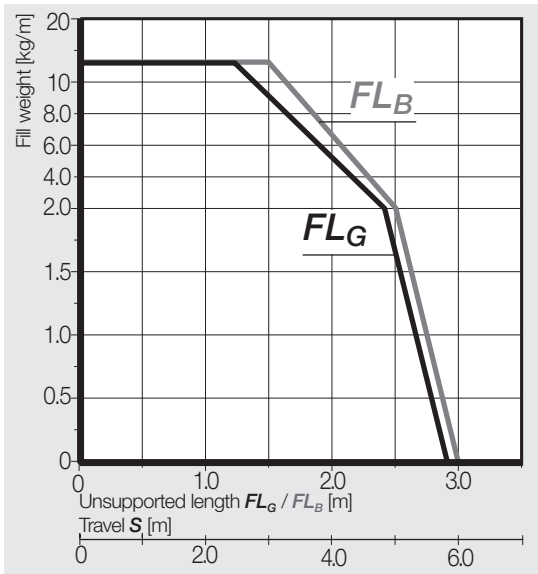
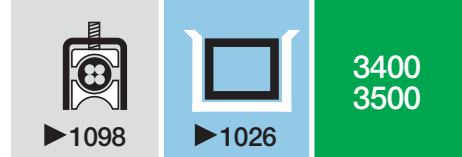
Half e-tubes, series 3450 and full e-tube series 3480 ▶ From page 352

Complete Part No. with required radius (*R*). Example: 3500.075.200.0

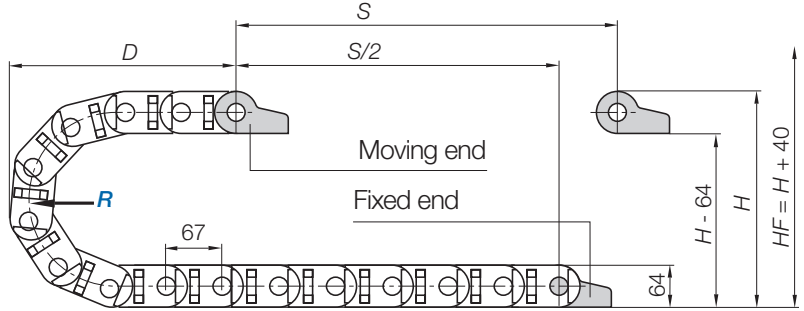
Reduce assembly time - E2/000 e-chain® opener

- Reduce opening times from 33 to 2 seconds
 - Open a long chain section in one go
 - For widths *Bi* [mm]: 050, 075, 100, 115
 - Part No. 908.254.3400 for series 3400/3500
- More information ▶ www.igus.eu/E2opener





Inner height [mm]	45
Pitch [mm/link]	67
Links/m	15
corresponds to [mm]	1,005
Chain length	$L_K = S/2 + K$

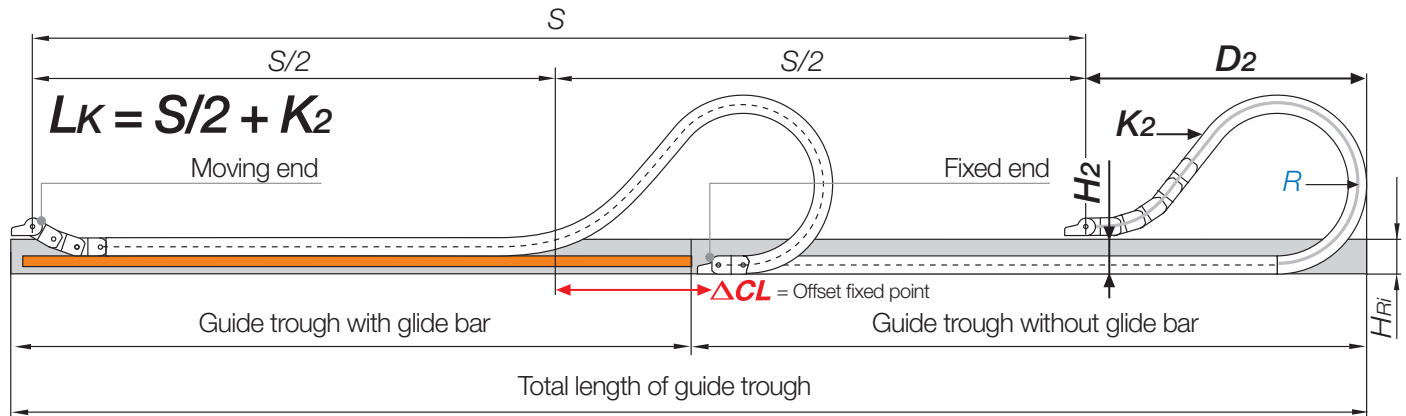


R	075	100	125	150	200	250	300
H	214	264	314	364	464	564	664
D	208	233	258	283	333	383	433
K	370	450	530	610	765	920	1,080

The required clearance height: $H_F = H + 40\text{ mm}$ (with 2.5 kg/m fill weight)

Before using series 3400 on long travels please consult igus®.

Gliding applications | For long travels from 10 m to max. 150 m



Note: before using series 3400/3450/3480 on long travels please consult igus®.

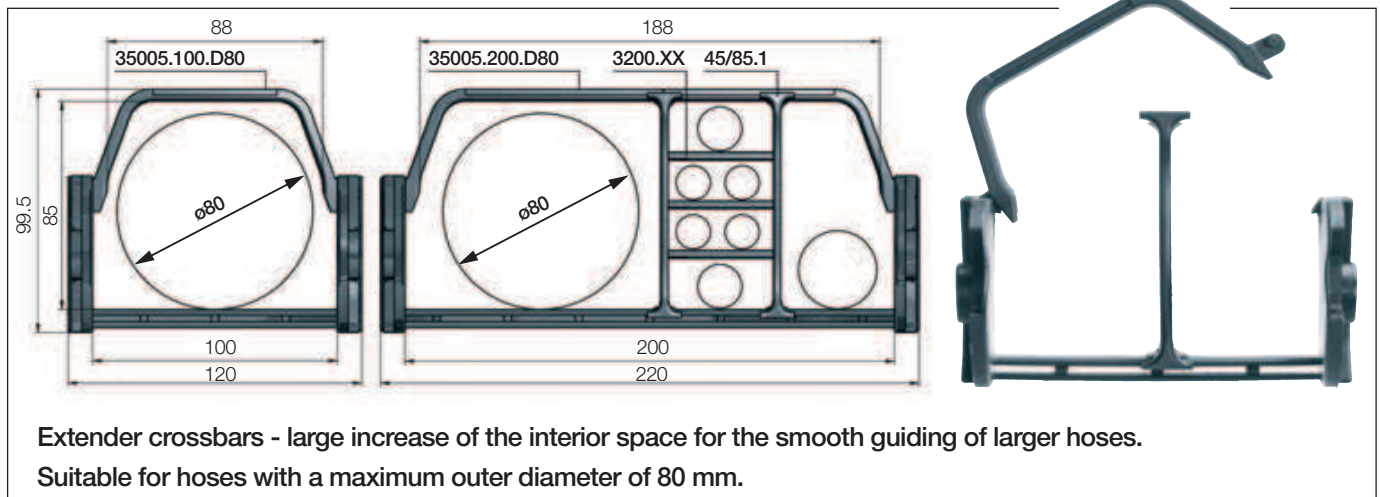
For long travels, igus® recommends series 3500 openable along the outer radius.

In case of travels between 6 and 10 m we recommend an e-chain® with a longer unsupported length.

R	075	100	125	150	200	250	300
H_2	150	200	186	186	186	186	186
D_2^{+25}	208	233	475	570	780	1,010	1,150
K_2	370	450	804	1,005	1,340	1,675	1,943
ΔCL	-	-	233	303	463	643	733

Before using series 3400 on long travels please consult igus®.

Extender crossbars | Product range



Extender crossbars - large increase of the interior space for the smooth guiding of larger hoses.
Suitable for hoses with a maximum outer diameter of 80 mm.

Part No. e-chains® Extender crossbars openable along inner radius	Part No. e-chains® Extender crossbars openable along outer radius	<i>Bi</i> [mm]	<i>Ba</i> [mm]	<i>R</i> Available bend radii [mm]
3400.100.D80.R.0	3500.100.D80.R.0	100	120	075* 100* 125 150 200 250 300
3400.200.D80.R.0	3500.200.D80.R.0	200	220	075* 100* 125 150 200 250 300

* Radius 075 and 100 only possible with e-chains® series 3500, openable along outer radius!

Complete Part No. with required radius (*R*). Example: 3500.100D80.200.0

Interior separation for extender crossbars

		Separator extender crossbars unassembled 45/85.1 assembled 45/85.1.1
		Shelf, lockable unassembled 3200.X assembled 3210.X

Standard separator, wide base

Separator with a wide base for maximum holding strength in the e-chain®. As standard igus® separators should be fitted every 2nd e-chain® link.

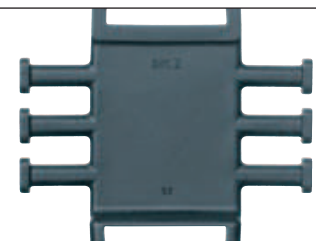
Horizontal separation

Full-width shelf locks securely into separators at both ends, giving a fixed width. Can be used as full-width or partial shelf.

Separator with integrated strain relief teeth

- Can be integrated into the mounting bracket or placed at any point in the e-chain®
- It combines strain relief and interior separation, for restricted space conditions
- Strain relief separator is easy to assemble without any screws

Part No. 301.Z More information ► From page 1118



Steel support tray for support of the lower run

- Simple one-piece support trays for the lower run
- To your requirements and specification
- 4 variants available

More information ► From page 1062

