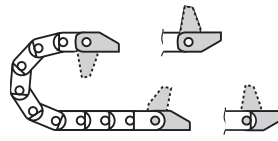




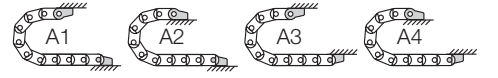
Polymer, one-piece

- One-piece mounting bracket
- Corrosion-resistant
- Available preassembled
- Inner and outer attachment possible
- Available with integrated strain relief tiwrap plates

Moving end with bore
(outer link) 0650...1PZ

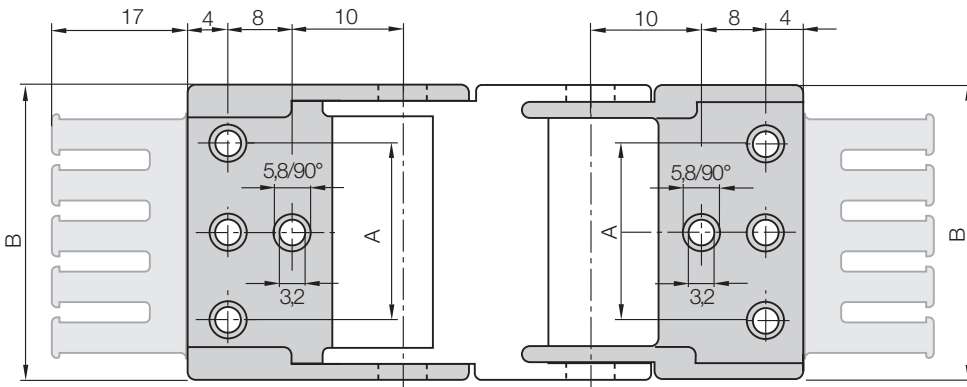


0650...2PZ Fixed end
with pin (inner link)



Possible installation conditions for assembled mounting brackets ▶ Order example "preassembled" below

0650...1PZ
Moving end



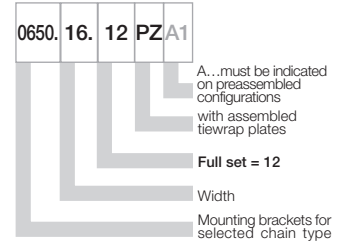
0650...2PZ
Fixed end

Dimensions and order configurations

Strain relief is possible on the moving end and/or the fixed end.

For E-Chain®	Part No. full set with tiwrap plate	Number of teeth	Dim. A [mm]	Dim. B [mm]
E065.16. ▶	0650.16. 12 PZ	2	-	22,5
E065.2/9. ▶	0650.2/9. 12 PZ	2	-	27
E065.3/9. ▶	0650.3/9. 12 PZ	3	22	37
E065.4/9. ▶	0650.4/9. 12 PZ	4	32	47

Part No. structure



Full set, for both ends:

0650. 16. 12 PZ +tiwrap plate

Single-part order:

0650. 16. 1 PZ +tiwrap plate

Mounting bracket with bore

0650. 16. 2 PZ +tiwrap plate

Mounting bracket with pin

For the preassembled mode please add the index A1 ... A4 e. g. 0650.16. 12 PZ A1



Quicksnap - the complete, detachable mounting unit, available upon request



Quickfix - mounting bracket with dowel, available upon request

Additional Features

