

● ● ● Price index



IPA Qualification Certificate:
Air Cleanless Class ISO Class 2
(at $v = 1$ m/s) upon request



UL94-V2
classifications



Torsional
motion possible



IPA Qualification Certificate: ESD
Classification Level 1 (for Series
E14.3.038). Special equipment:
Electrically conductive ESD/ATEX
version upon request



Just push the cables with your thumb
into the E-Chain® - and it's ready



When to use the Series E14/Z14:

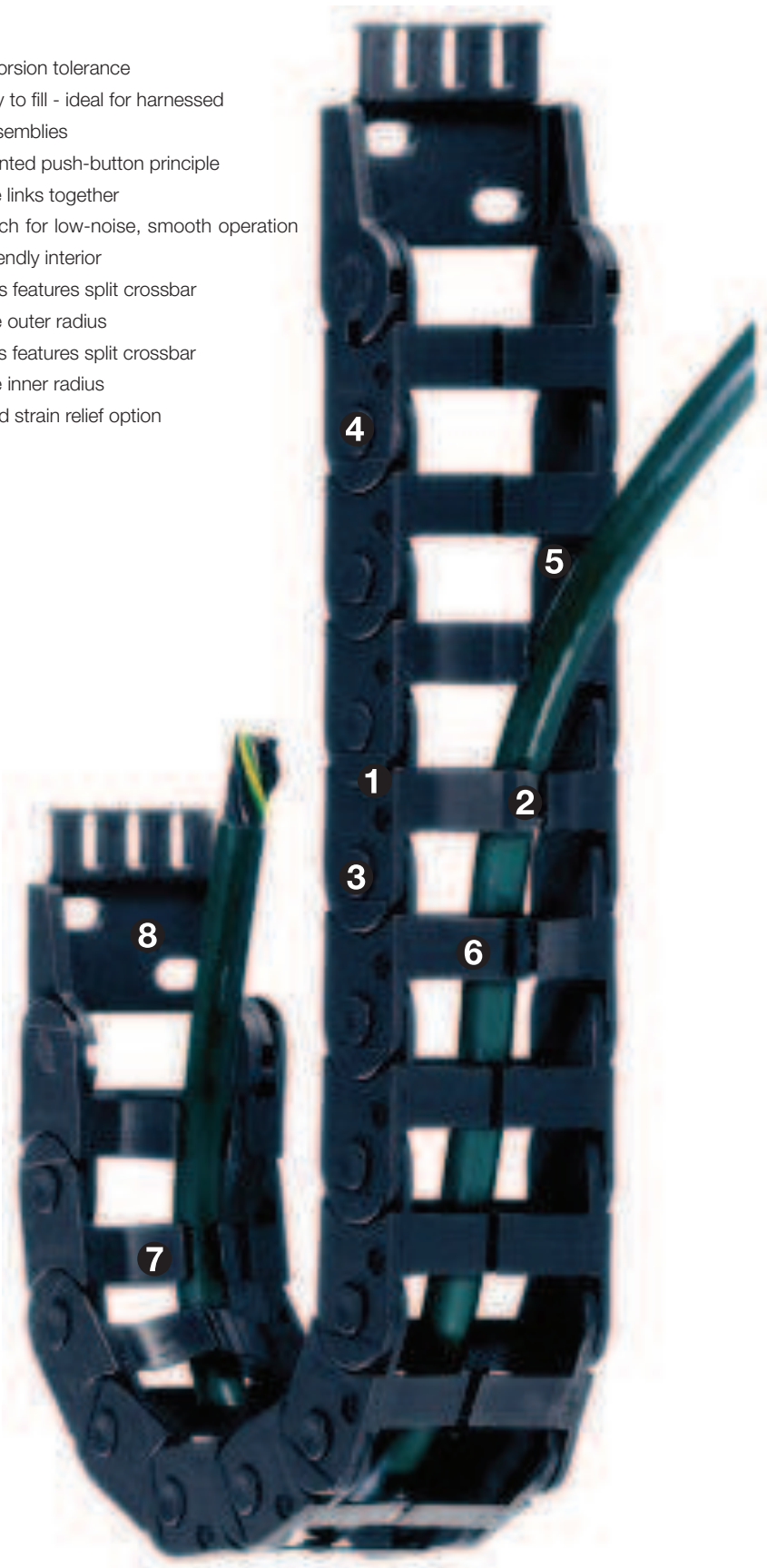
- If filling is required without opening and closing lids
- If price is an issue
- If quiet operation is required



When not to use it:

- For applications with very high loads and long unsupported travel lengths
 - ▶ Series B15 E2 mini, page 5.70
- "Z" Series is unsuitable for gliding applications
 - ▶ Series B15 E2 mini, page 5.70

- 1 Limited torsion tolerance
- 2 Very easy to fill - ideal for harnessed cable assemblies
- 3 The patented push-button principle holds the links together
- 4 Small pitch for low-noise, smooth operation
- 5 Cable-friendly interior
- 6 "E" Series features split crossbar along the outer radius
- 7 "Z" Series features split crossbar along the inner radius
- 8 Integrated strain relief option



Order example complete E-Chain®

Please indicate chain-lengths or number of links **Example: 1 m or 33 links**

1 m **E14.3.038.0**



E-Chain®

1 set **114.3.12PZ**



Mounting bracket

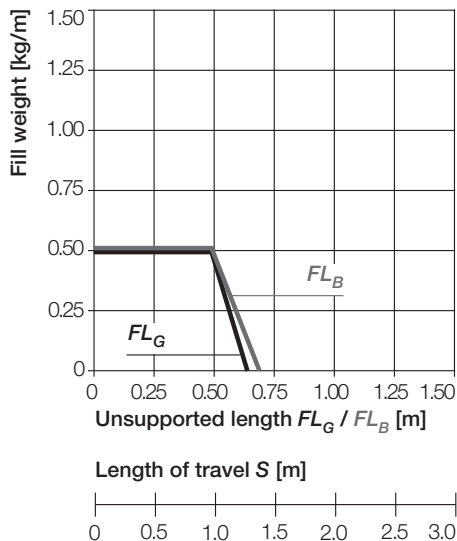
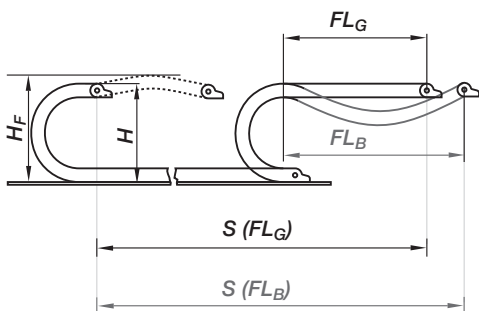


Unsupported length

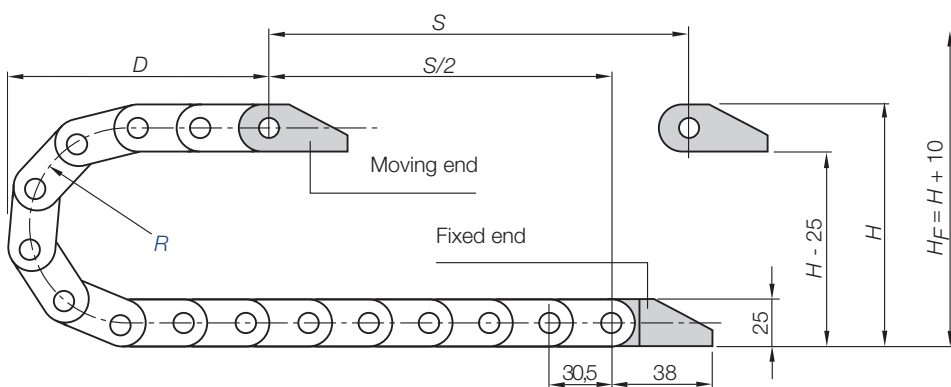
FL_G = with straight upper run

FL_B = with permitted sag

Further information ► Design, page 1.12



- S = Length of travel
- R = Bending radius
- H = Nominal clearance height
- H_F = Required clearance height
- D = Overlength E-Chain® radius in final position
- $K = \pi \cdot R + \text{"safety"}$



Short travels - unsupported

Unsupported E-Chains® feature positive camber over short travels. This must be accounted for when specifying the clearance height H_F . Please consult igus® if space is particularly restricted.

Pitch = 30,5 mm/link Links/m = 33 (1.006,5 mm) Chain length = $S/2 + K$

R	028	038	048	075	100	125
H	82	102	122	177	227	277
D	71	81	91	120	145	170
K	150	185	215	300	375	455

The required clearance height:
 $H_F = H + 10 \text{ mm}$
(with 0,2 kg/m fill weight)

Speed / acceleration FL_G	max. 20 [m/s] / max. 200 [m/s ²]
Speed / acceleration FL_B	max. 3 [m/s] / max. 6 [m/s ²]
Gliding speed / acceleration (maximum)	max. 3 [m/s] / max. 10 [m/s ²]
Material (E-Chain®)- permitted temperature °C	igumid NB / -40° up to +80° C
Material (mounting brackets)* - permitted temperature °C	igumid G / -40° up to +120° C
Flammability class (E-Chain®), igumid NB	VDE 0304 IIC UL94 V2
Flammability class (mounting brackets), igumid G*	VDE 0304 IIC UL94 HB

*Available in igumid NB upon request, please consult igus® for delivery time

Technical Data



Details of material properties
► page 1.38

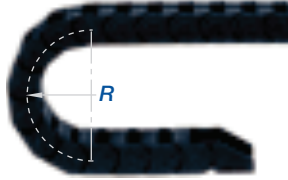
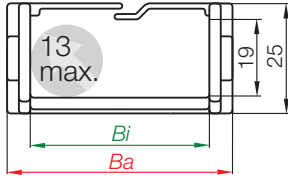


Easy Chain®
Inner height: 19 mm

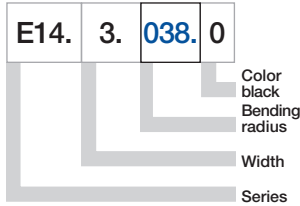
Phone +49- (0) 22 03-96 49-800
Fax +49- (0) 22 03-96 49-222



► page 3.5



Part No. structure



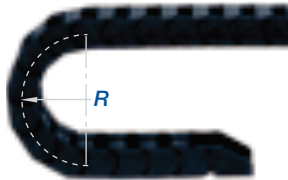
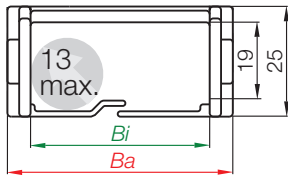
Series E14 - split crossbar along the outer radius

Part No.	Bi [mm]	Ba [mm]	R [mm]	Bending radii						Weight [kg/m]
E14.1. <input type="text"/> .0	15	27	<input type="text"/> 028	<input type="text"/> 038	<input type="text"/> 048	<input type="text"/> 075	<input type="text"/> 100	<input type="text"/> 125	≈ 0,31	
E14.2. <input type="text"/> .0	25	37	<input type="text"/> 028	<input type="text"/> 038	<input type="text"/> 048	<input type="text"/> 075	<input type="text"/> 100	<input type="text"/> 125	≈ 0,32	
E14.3. <input type="text"/> .0	38	50	<input type="text"/> 028	<input type="text"/> 038	<input type="text"/> 048	<input type="text"/> 075	<input type="text"/> 100	<input type="text"/> 125	≈ 0,40	
E14.4. <input type="text"/> .0	50	62	<input type="text"/> 028	<input type="text"/> 038	<input type="text"/> 048	<input type="text"/> 075	<input type="text"/> 100	<input type="text"/> 125	≈ 0,44	

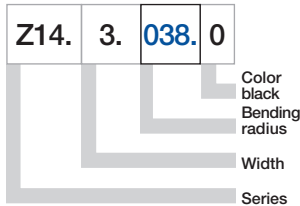
Ba: pin dimension approx. 0,3 - 0,5 mm wider!

Supplement Part No. with required radius. Example: E14.3. 038 .0

0 = standard color, other colors ► page 1.39 · Pitch = 30,5 mm/link - Links/m = 33



Part No. structure



Series Z14 - split crossbar along the inner radius

Part No.	Bi [mm]	Ba [mm]	R [mm]	Bending radii						Weight [kg/m]
Z14.1. <input type="text"/> .0	15	27	<input type="text"/> 028	<input type="text"/> 038	<input type="text"/> 048	<input type="text"/> 075	<input type="text"/> 100	<input type="text"/> 125	≈ 0,31	
Z14.2. <input type="text"/> .0	25	37	<input type="text"/> 028	<input type="text"/> 038	<input type="text"/> 048	<input type="text"/> 075	<input type="text"/> 100	<input type="text"/> 125	≈ 0,32	
Z14.3. <input type="text"/> .0	38	50	<input type="text"/> 028	<input type="text"/> 038	<input type="text"/> 048	<input type="text"/> 075	<input type="text"/> 100	<input type="text"/> 125	≈ 0,40	
Z14.4. <input type="text"/> .0	50	62	<input type="text"/> 028	<input type="text"/> 038	<input type="text"/> 048	<input type="text"/> 075	<input type="text"/> 100	<input type="text"/> 125	≈ 0,44	

Ba: pin dimension approx. 0,3 - 0,5 mm wider!

Supplement Part No. with required radius. Example: Z14.3. 038 .0

0 = standard color, other colors ► page 1.39 · Pitch = 30,5 mm/link - Links/m = 33

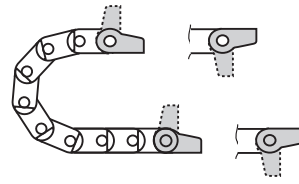




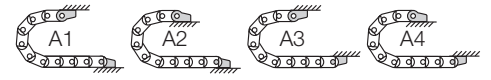
Polymer, one-piece

- One-piece mounting bracket
- Corrosion-resistant
- Available preassembled
- Inner and outer attachment possible
- Available with integrated strain relief tiwrap plates

Moving end with bore
(outer link) 114...1P(Z)



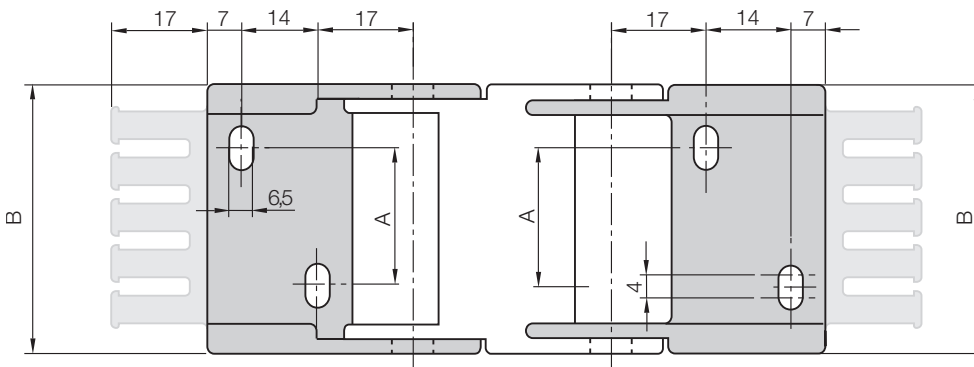
114...2P(Z) Fixed end
with pin (inner link)



Possible installation conditions for assembled mounting brackets ▶ Order example "preassembled" below

114...1P(Z)
Moving end

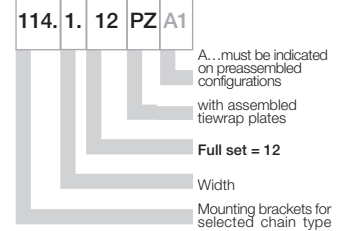
114...2P(Z)
Fixed end



Dimensions and order configurations

Strain relief is possible on the moving end and/or the fixed end.

Part No. structure



Full set, for both ends:

114. 1. 12 PZ +tiwrap plate

Single-part order:

114. 1. 1 PZ +tiwrap plate

Mounting bracket with bore

114. 1. 2 PZ +tiwrap plate

Mounting bracket with pin

For E-Chain®	Part No. full set with tiwrap plate	Part No. full set without tiwrap plate	Number of teeth	Dim. A [mm]	Dim. B [mm]
E14-Z14.1. ▶	114. 1. 12PZ	114. 1. 12P	2	-	26,3
E14-Z14.2. ▶	114. 2. 12PZ	114. 2. 12P	3	10	36,3
E14-Z14.3. ▶	114. 3. 12PZ	114. 3. 12P	4	23	49,3
E14-Z14.4. ▶	114. 4. 12PZ	114. 4. 12P	5	35	62,3

Please add the Part No. with the requested index - e.g. 114. 1. 12

For the preassembled mode please add the index A1 ... A4 e.g. 114. 1. 12PZ A1



Quicksnap - the complete, detachable mounting unit, available upon request



Quickfix - mounting bracket with dowel, available upon request

Additional Features

