



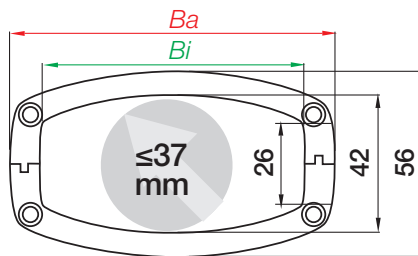
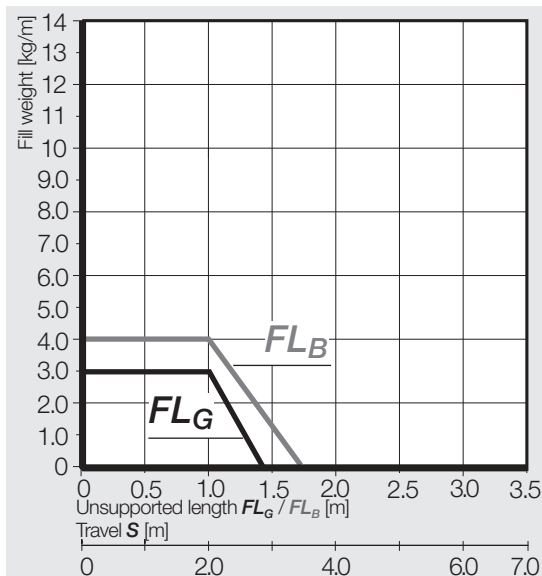
e-tubes | Series RX32 | Lids removable along the outer radius

Part No.	<i>Bi</i>	<i>Ba</i>	<i>R</i> Available bend radii	RX32
e-tubes	[mm]	[mm]	[mm]	[kg/m]
RX32. 080 .R.0	80	98.4	080 100 125 150 175 200* 225* 250*	≈ 1.23

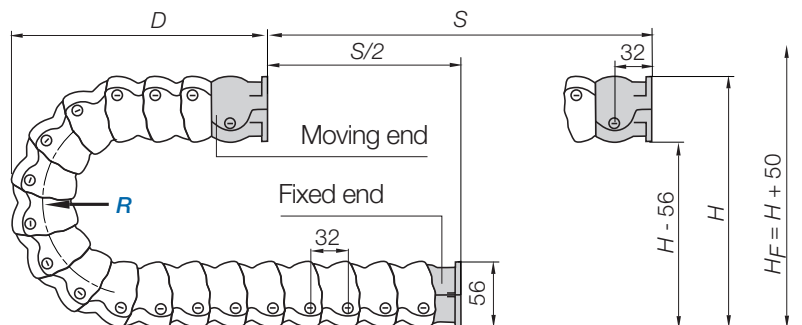
*Radius available upon request. Please consult igus® for delivery time.

Complete Part No. with required radius (*R*). Example: **RX32.080.080.0**

Installation dimensions



Inner height [mm]	42
Pitch [mm/link]	32
Links/m	32
corresponds to [mm]	1,024
Chain length	$L_K = \frac{S}{2} + K$



<i>R</i>	080	100	125	150	175	200*	225*	250*
<i>H</i>	216	256	306	356	406	456	506	556
<i>D</i>	156	176	201	226	251	276	301	326
<i>K</i>	320	380	460	540	615	695	775	850

The required clearance height: $H_F = H + 50$ mm (with 0.5 kg/m fill weight)

*Radius available upon request. Please consult igus® for delivery time.