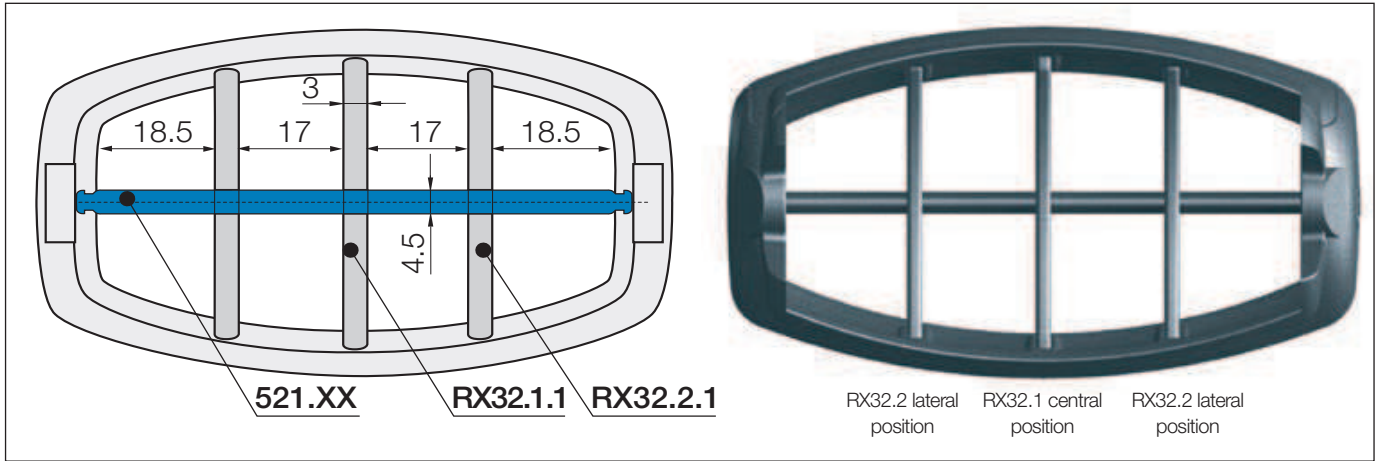


Interior separation



**Slotted separator**  
(central position)

unassembled	<b>RX32.1</b>
assembled	<b>RX32.1.1</b>

**Slotted separator**  
(lateral position)

unassembled	<b>RX32.2</b>
assembled	<b>RX32.2.1</b>

**Shelf, lockable**

unassembled	<b>520.X</b>
assembled	<b>521.X</b>

**Vertical separation - slotted separators:**

**RX32.1** (central position)

**RX32.2** (lateral position)

Vertical separation of the large interior space using cable-friendly, polymer separators. Due to their slots, basic vertical and horizontal shelving arrangements are possible. As standard igus® separators should be fitted every 2<sup>nd</sup> e-chain® link.

**Horizontal separation**

Full-width shelf locks securely into separators at both ends, giving a fixed width. Can be used as full-width or partial shelf.



**Shelves**

Width = X [mm]

X [mm]	unassembled	assembled	X [mm]	unassembled	assembled
024	<b>520.24</b>	<b>521.24</b>	064	<b>520.64</b>	<b>521.64</b>
044	<b>520.44</b>	<b>521.44</b>	084	<b>520.84</b>	<b>521.84</b>