



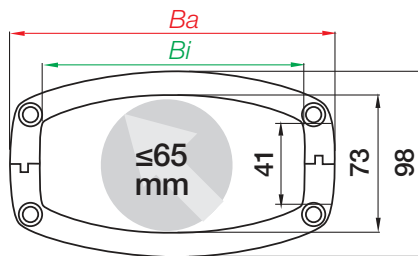
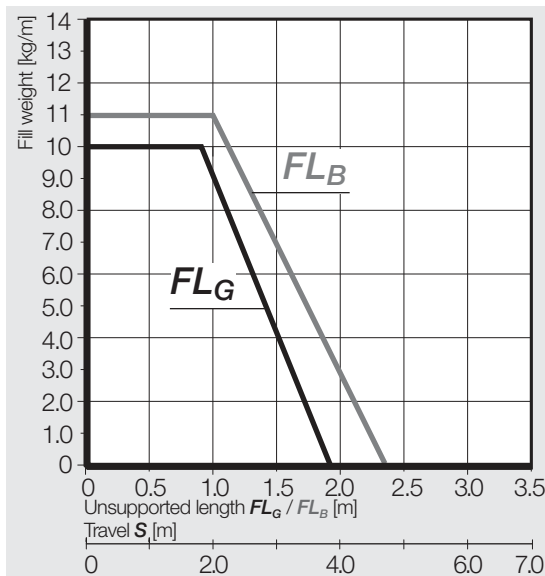
e-tubes | Series RX56 | Lids removable along the outer radius

Part No.	<i>Bi</i>	<i>Ba</i>	<i>R</i> Available bend radii	RX56
e-tubes	[mm]	[mm]	[mm]	[kg/m]
RX56.140.R.0	10	172.2	140 175* 200* 225* 250 275* 300* 325* 350*	≈ 3.83

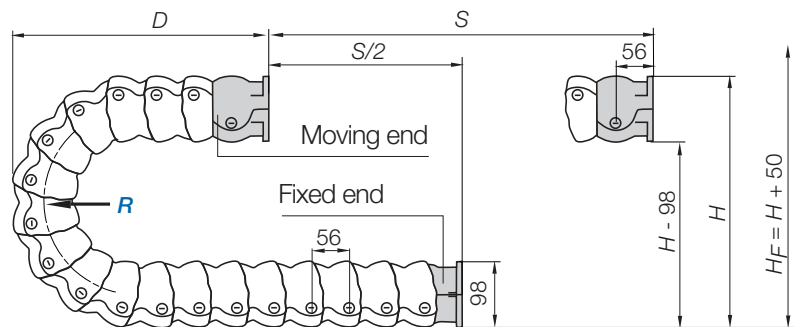
*Radius available upon request. Please consult igus® for delivery time.

Complete Part No. with required radius (*R*). Example: **RX56.140.140.0**

Installation dimensions



Inner height [mm]	73
Pitch [mm/link]	56
Links/m	18
corresponds to [mm]	1,008
Chain length	$L_K = \frac{S}{2} + K$



<i>R</i>	140	175*	200*	225*	250	275*	300*	325*	350*
<i>H</i>	378	448	498	548	598	648	698	748	798
<i>D</i>	273	308	333	358	383	408	433	458	483
<i>K</i>	555	665	745	820	900	980	1,055	1,135	1,215

The required clearance height: $H_F = H + 50$ mm (with 0.5 kg/m fill weight)

*Radius available upon request. Please consult igus® for delivery time.