



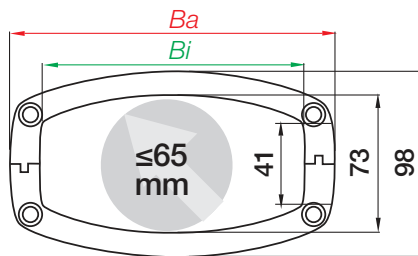
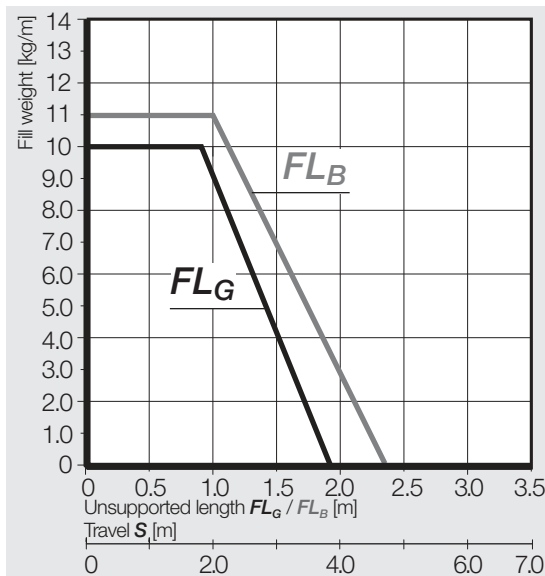
e-tubes | Series RX56 | Lids removable along the outer radius

Part No.	<i>Bi</i>	<i>Ba</i>	<i>R</i> Available bend radii	RX56
e-tubes	[mm]	[mm]	[mm]	[kg/m]
RX56.140.R.0	10	172.2	140 175* 200* 225* 250 275* 300* 325* 350*	≈ 3.83

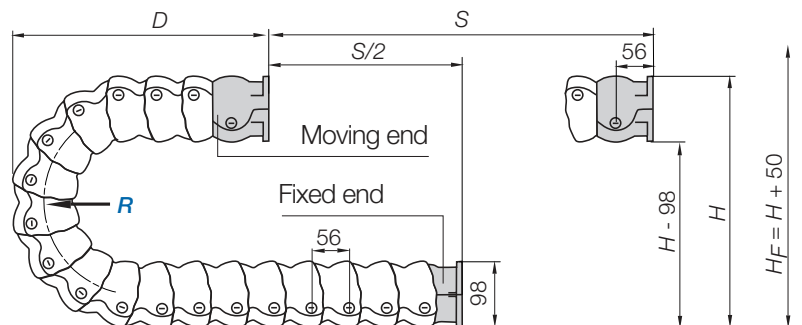
*Radius available upon request. Please consult igus® for delivery time.

Complete Part No. with required radius (*R*). Example: **RX56.140.140.0**

Installation dimensions



Inner height [mm]	73
Pitch [mm/link]	56
Links/m	18
corresponds to [mm]	1,008
Chain length	$L_K = \frac{S}{2} + K$

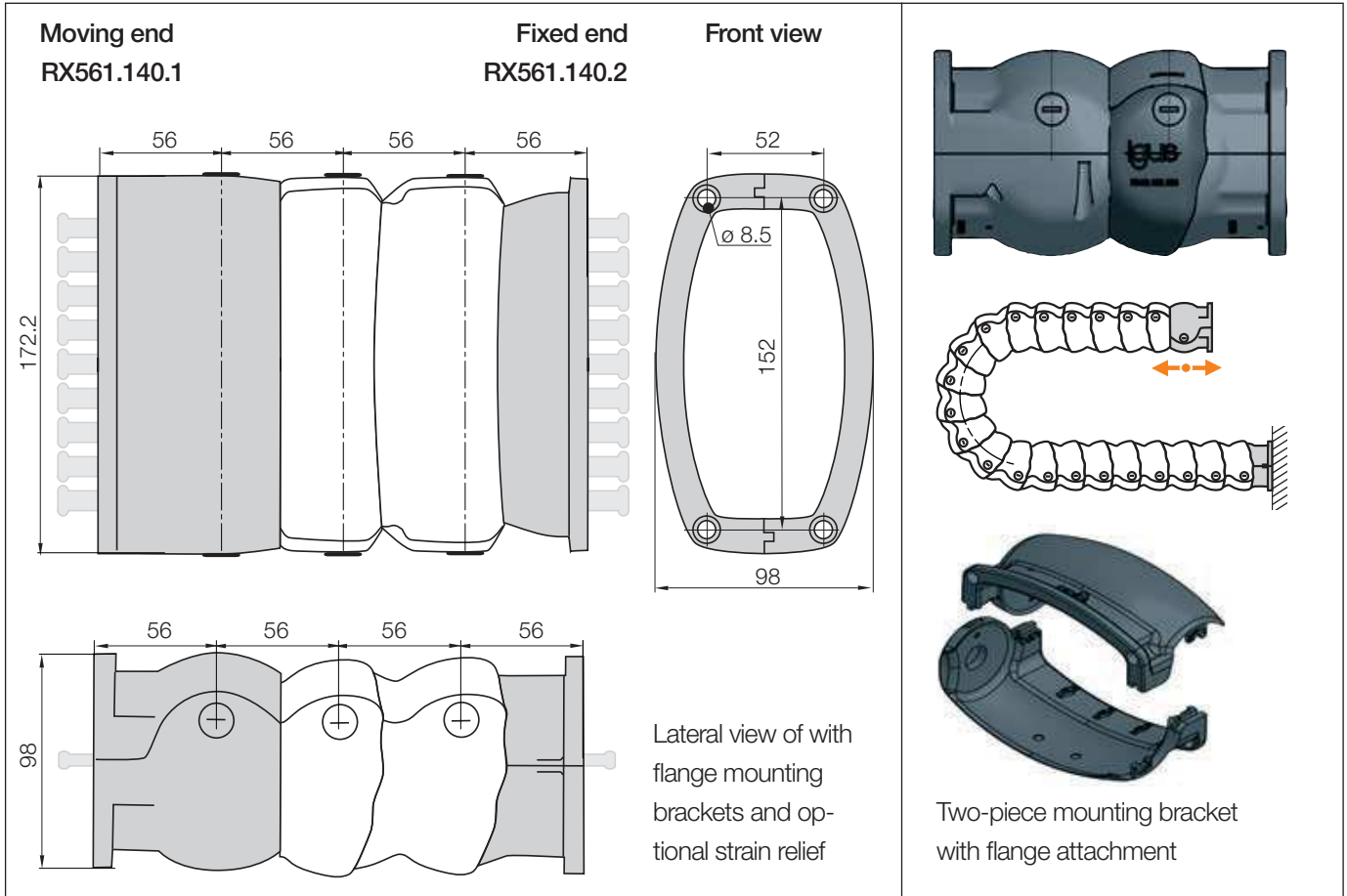


<i>R</i>	140	175*	200*	225*	250	275*	300*	325*	350*
<i>H</i>	378	448	498	548	598	648	698	748	798
<i>D</i>	273	308	333	358	383	408	433	458	483
<i>K</i>	555	665	745	820	900	980	1,055	1,135	1,215

The required clearance height: $H_F = H + 50$ mm (with 0.5 kg/m fill weight)

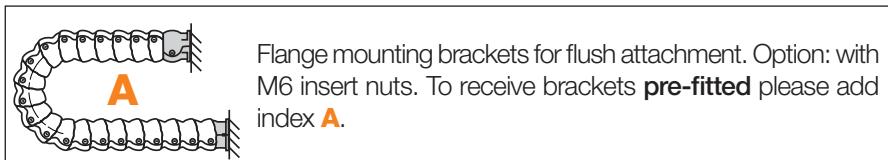
*Radius available upon request. Please consult igus® for delivery time.

Mounting brackets, flange | Polymer, two-piece | Locking



Mounting brackets, flange | Locking

Width index	Standard	Part No. full set with tiewrap plates	Part No. full set without tiewrap plates	Number of teeth
140. ▶		upon request	RX561.140.12	upon request

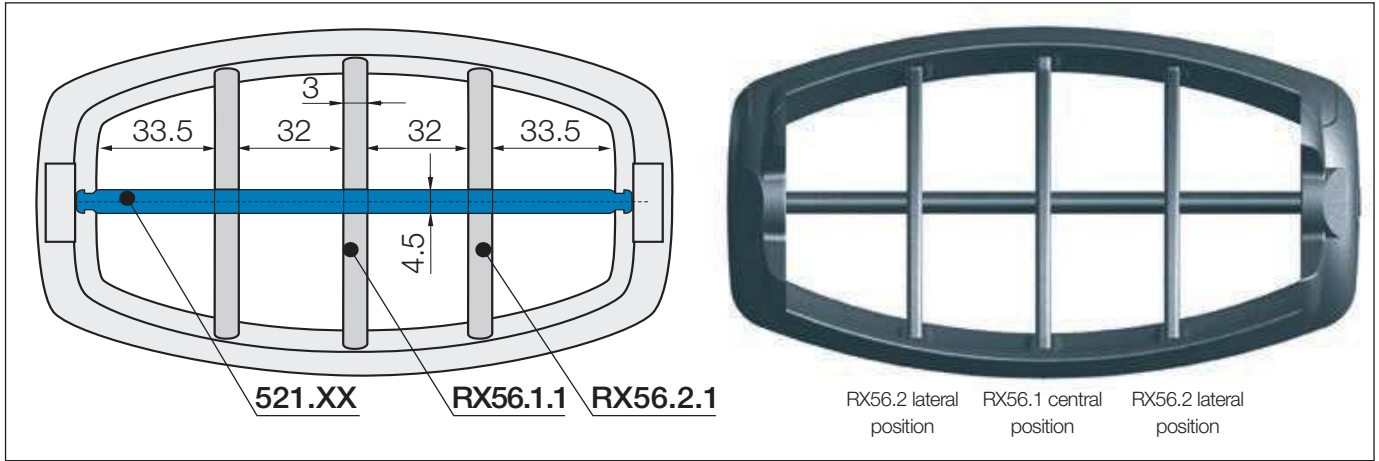


RX561.140.12 A Order example

- A ...** To indicate option with brackets pre-fitted
- Full set
- Width index
- Series

 **Strain relief** e.g. clamps, tiewrap plates, nuggets and plug-in clips are available from stock. The complete chainfix range with ordering options ▶ From page 1098

Interior separation



Slotted separator
(central position)

unassembled	RX56.1
assembled	RX56.1.1

Slotted separator
(lateral position)

unassembled	RX56.2
assembled	RX56.2.1

Shelf, lockable

unassembled	520.X
assembled	521.X

Vertical separation - slotted separators:

RX56.1 (central position)

RX56.2 (lateral position)

Vertical separation of the large interior space using cable-friendly, polymer separators. Due to their slots, basic vertical and horizontal shelving arrangements are possible. As standard igus® separators should be fitted every 2nd e-chain® link.

Horizontal separation

Full-width shelf locks securely into separators at both ends, giving a fixed width. Can be used as full-width or partial shelf.



Shelves

Width = X [mm]

X [mm]	unassembled	assembled	X [mm]	unassembled	assembled
039	520.39	521.39	109	520.109	521.109
074	520.74	521.74	144	520.144	521.144

Hot chips up to +850°C

- e-tubes to withstand +850°C hot chips, as a special option
- No hot chips melting or embedding into the chain
- Option possible in igus® igumid HT material

More information ► www.igus.eu/HT



Steel support tray for support of the lower run

- Simple one-piece support trays for the lower run
- To meet your requirements and specification
- Guides the RX e-tube safely and lets the chips pass through easily
- Available in different lengths

More information ► www.igus.eu/RX



Strain relief block for flange mounting brackets

- Strain relief block to your specifications
- Fast assembly
- Can be integrated in the RX e-tube flange mounting bracket

More information ► www.igus.eu/RX56



Despite the restricted installation space, the RX e-tube is used in this compact turning machine with Reverse Bend Radius (RBR)