

● ● ● Price index



UL94-V2 classifications upon request

- ① Torsional stability
- ② Mounting bracket with strain relief
- ③ Dirt-repellent exterior
- ④ One piece each link



Easy to assemble and to disassemble



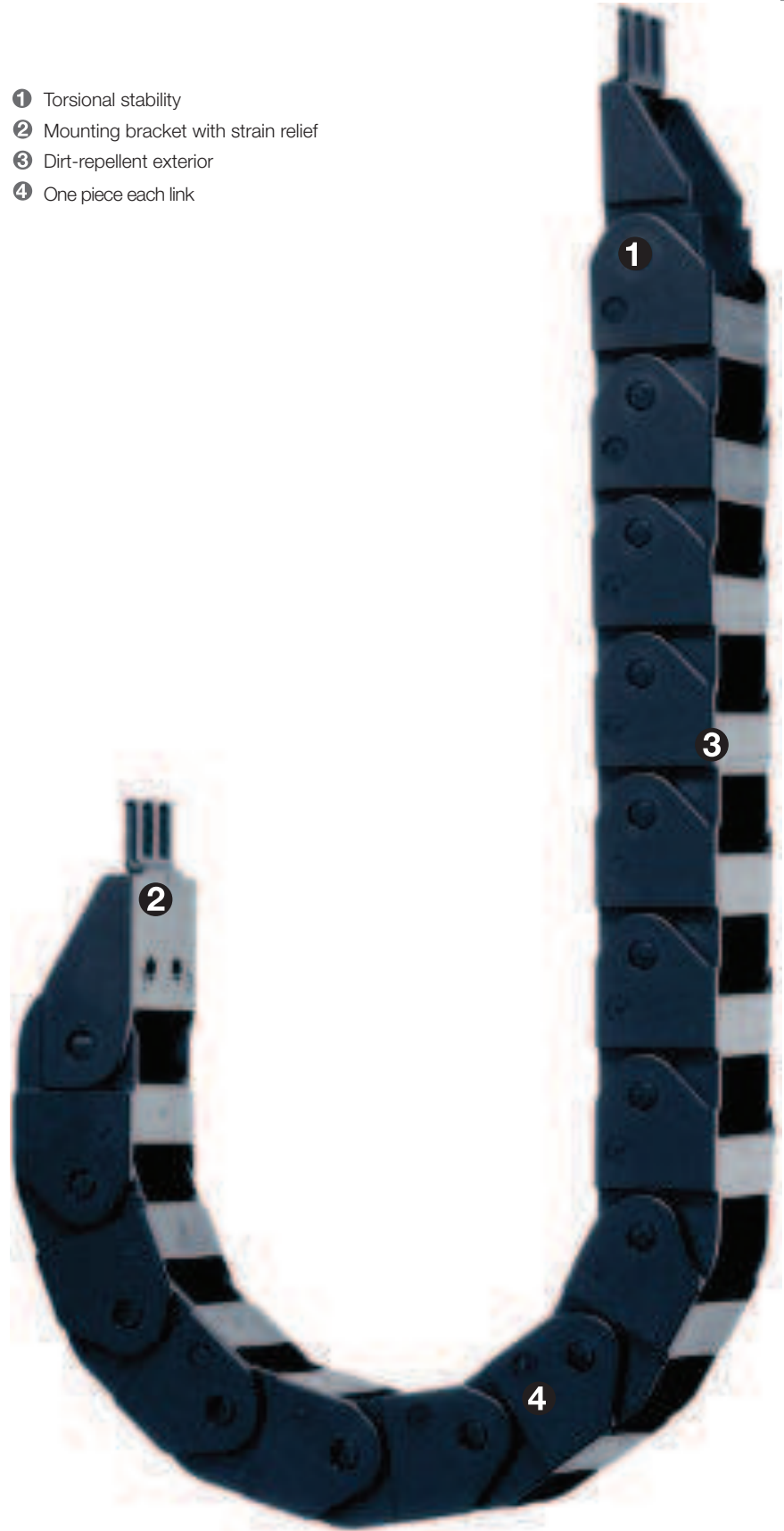
When to use the Series 11.031:

- If space is restricted
- If many cables are arranged vertically adjacent



When not to use it:

- If snap-open links are required
 - ▶ similar width/height from Series Zipper, chapter 4
- If quick insertion of cables with preassembled connectors is required
 - ▶ similar width/height from Series Easy Chain®, chapter 3



Order example complete E-Chain®

Please indicate chain-lengths or number of links Example: 1 m or 33 links

1 m 11.031.070.0



E-Chain®

1 set 11.031.12PZ



Mounting bracket

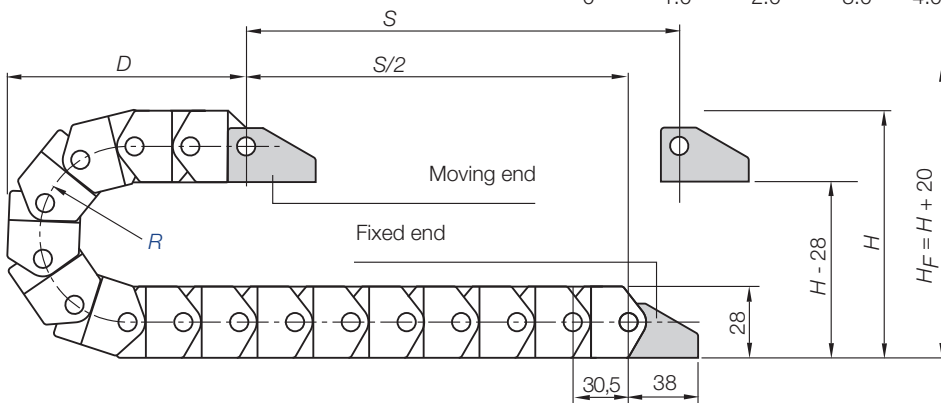
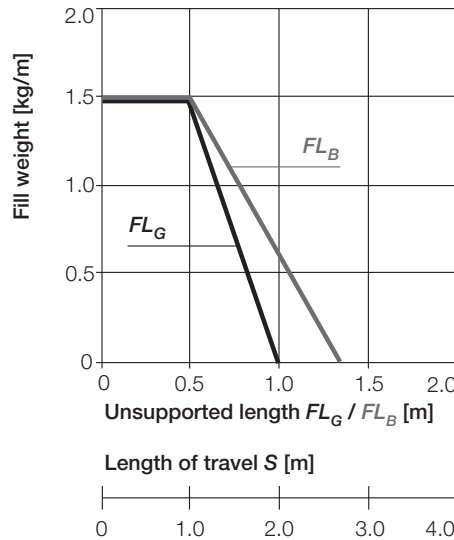
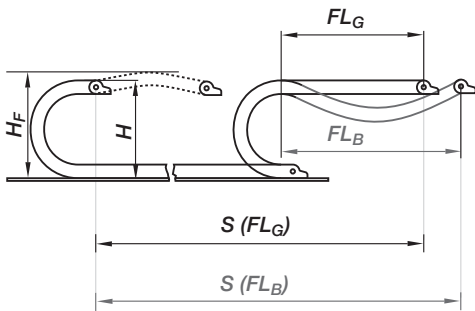


Unsupported length

FL_G = with straight upper run

FL_B = with permitted sag

Further information ► Design, page 1.12



- S = Length of travel
- R = Bending radius
- H = Nominal clearance height
- H_F = Required clearance height
- D = Overlength E-Chain® radius in final position
- $K = \pi \cdot R + \text{"safety"}$



Short travels - unsupported

Unsupported E-Chains® feature positive camber over short travels. This must be accounted for when specifying the clearance height H_F . Please consult igus® if space is particularly restricted.

Pitch = 30,5 mm/link Links/m = 33 (1.006,5 mm) Chain length = $S/2 + K$

R	045	070
H	115	165
D	90	115
K	205	285

The required clearance height:
 $H_F = H + 20$ mm
 (with 0,5 kg/m fill weight)



E2 mini
Inner height: 23 mm

Phone +49- (0) 22 03-96 49-800
 Fax +49- (0) 22 03-96 49-222



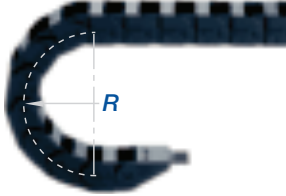
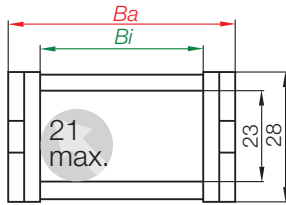
► page 5.47

Speed / acceleration FL_G	max. 20 [m/s] / max. 200 [m/s ²]
Speed / acceleration FL_B	max. 3 [m/s] / max. 6 [m/s ²]
Gliding speed / acceleration (maximum)	max. 3 [m/s] / max. 10 [m/s ²]
Material - permitted temperature °C	igumid G / -40° up to +120° C
Flammability class, igumid G	VDE 0304 IIC UL94 HB

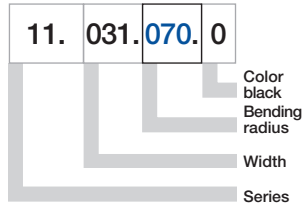
Technical Data



Details of material properties
 ► page 1.38



Part No. structure



Series 11.031 E-Chain® - non snap-open

Part No.	B_i [mm]	B_a [mm]	R [mm]	Bending radii	Weight [kg/m]
11.031. <input type="text"/> .0	31	41,2	<input type="text" value="045"/> <input type="text" value="070"/>		≈ 0,43

 Supplement Part No. with required radius. Example: 11.031. .0

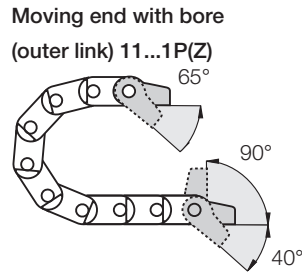
0 = standard color, other colors ► page 1.39 · Pitch = 30,5 mm/link - Links/m = 33



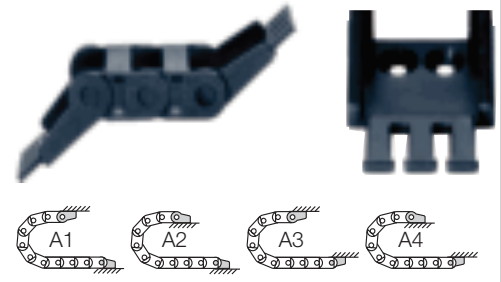


Polymer, one-piece

- One-piece mounting bracket
- Corrosion-resistant
- Available preassembled
- Inner and outer attachment possible
- Available with or without strain relief tiewrap plates



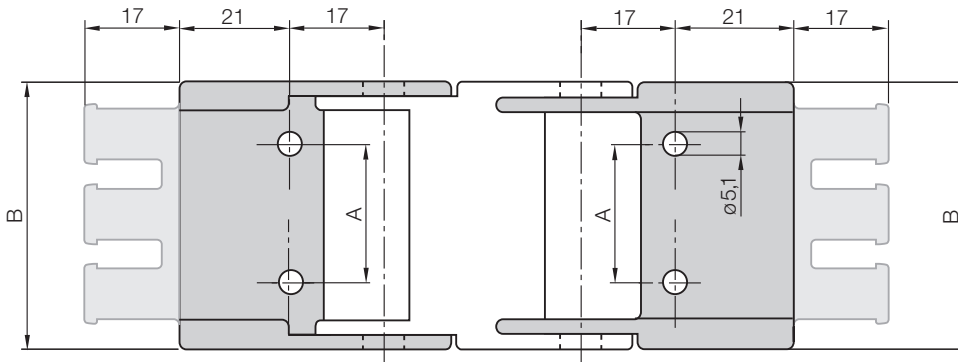
11...2P(Z) Fixed end with pin (inner link)



Possible installation conditions for assembled mounting brackets ► Order example "preassembled" below

11...1P(Z)
Moving end

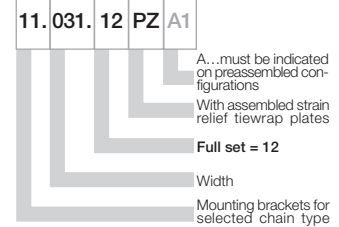
11...2P(Z)
Fixed end



Dimensions and order configurations

Strain relief is possible on the moving end and/or the fixed end.

Part No. structure



Full set, for both ends:

11.031.12.PZ +tiewrap plate

Single-part order:

11.031.1.PZ +tiewrap plate

Mounting bracket **with bore**

11.031.2.PZ +tiewrap plate

Mounting bracket **with pin**

For E-Chain®	Part No. full set with tiewrap plate	Part No. full set without tiewrap plate	Dim. A [mm]	Dim. B [mm]
11.031. ►	11.031.12.PZ	11.031.12.P	16	42

For the **preassembled** mode please add the index **A1** ... **A4** e.g. 11.031.12.PZ**A1**

Phone +49- (0) 22 03-96 49-800
Fax +49- (0) 22 03-96 49-222

