



● ● ● Price index



**Special equipment:**  
Electrically conductive ESD/ATEX version upon request



UL94-V2 classifications upon request

- ❶ Snap-open with film-hinge along the outer radius (Series B17) and/or along inner radius (Series B17i), these Series can be combined
- ❷ Small pitch for very quiet operation
- ❸ Mounting bracket with integrated strain relief
- ❹ Dirt-repellent exterior
- ❺ Small E-Chain® with large inner height
- ❻ Interior separation available
- ❼ Quick-opening configuration
- ▶ **Series 17 Zipper, page 4.24**
- ❽ Closed, easy to open version
- ▶ **Series R17 Zipper Tube, page 4.42**
- ❾ If torsion occurs
- ▶ **Series E16 Easy Chain®, page 3.42**



Easy to assemble and to disassemble



**When to use the Series B17/B17i:**

- If opening is necessary
- If a rather small chain with broad inner width is required
- If reverse bending radius is required



**When not to use it:**

- If quick opening of the links is required
  - ▶ **Series 17 Zipper, page 4.24**
- If quick insertion of cables with preassembled connectors is required
  - ▶ **Series E16 Easy Chain®, page 3.42**



**Order example complete E-Chain®**

Please indicate chain-lengths or number of links **Example: 1 m or 33 links**

1 m **B17.1.063.0**

**E-Chain®**

with 2 separators **172** assembled every 2<sup>nd</sup> link

**Interior separation**

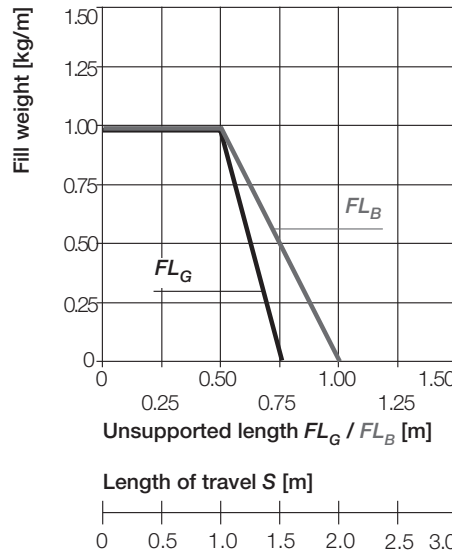
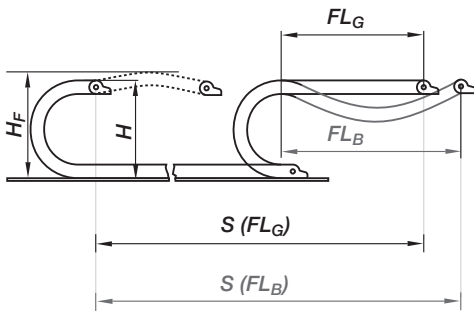
1 set **117.1.12PZ**

**Mounting bracket**

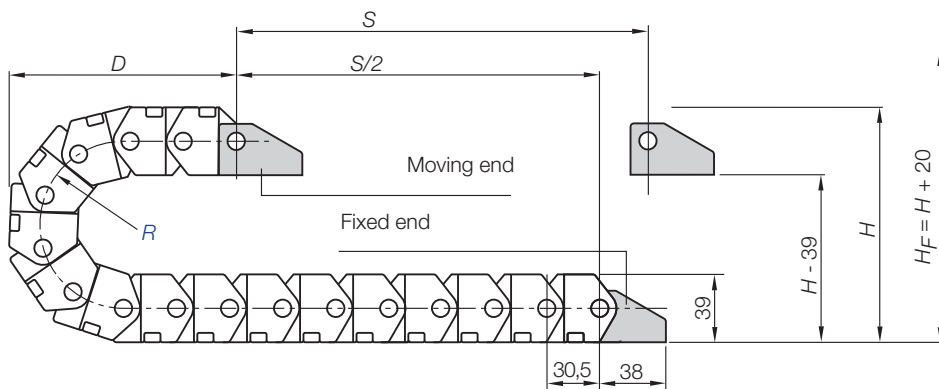


**Unsupported length**

$FL_G$  = with straight upper run  
 $FL_B$  = with permitted sag  
 Further information ► **Design, page 1.12**



$S$  = Length of travel  
 $R$  = Bending radius  
 $H$  = Nominal clearance height  
 $H_F$  = Required clearance height  
 $D$  = Overlength E-Chain® radius in final position  
 $K = \pi \cdot R + \text{"safety"}$



**Short travels - unsupported**

Unsupported E-Chains® feature positive camber over short travels. This must be accounted for when specifying the clearance height  $H_F$ . Please consult igus® if space is particularly restricted.

**Pitch = 30,5 mm/link Links/m = 33 (1.006,5 mm) Chain length =  $S/2 + K$**

R	048*	063	075	100	125
H	135	165	189	239	289
D	100	115	130	155	180
K	220	275	305	395	475

\* Radius 048 not for B17.5, B17i.5, B17.7, B17i.7

The required clearance height:  
 $H_F = H + 25 \text{ mm}$   
 (with 1,5 kg/m fill weight)

Speed / acceleration $FL_G$	max. 20 [m/s] / max. 200 [m/s <sup>2</sup> ]
Speed / acceleration $FL_B$	max. 3 [m/s] / max. 6 [m/s <sup>2</sup> ]
Gliding speed / acceleration (maximum)	max. 3 [m/s] / max. 10 [m/s <sup>2</sup> ]
Material - permitted temperature °C	igumid G / -40° up to +120° C
Flammability class, igumid G	VDE 0304 IIC UL94 HB

**Technical Data**



**Details of material properties**  
 ► page 1.38

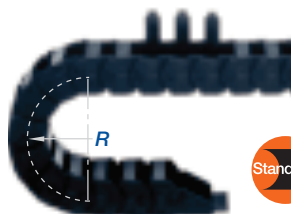
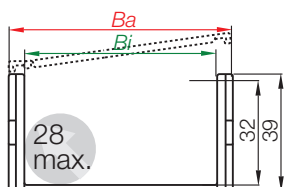


E2 mini  
 Inner height: 32 mm

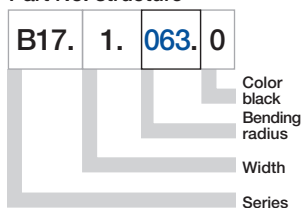
Phone +49- (0) 22 03-96 49-800  
 Fax +49- (0) 22 03-96 49-222



► page 5.47



Part No. structure

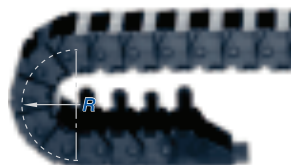
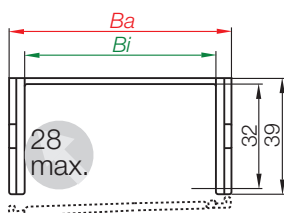


Series B17 - snap-open along outer radius

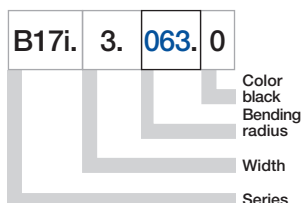
Part No.	<i>Bi</i> [mm]	<i>Ba</i> [mm]	<i>R</i> [mm]	Bending radii	Weight [kg/m]
B17.1.□.0	15	25,5	048	063 075 100 125	≈ 0,52
B17.2.□.0	25	35,5	048	063 075 100 125	≈ 0,59
B17.3.□.0	38	48,5	048	063 075 100 125	≈ 0,65
B17.4.□.0	50	60,5	048	063 075 100 125	≈ 0,70
B17.5.□.0	63	76,0	063	075 100 125	≈ 0,83
B17.6.□.0	80	93,0	048	063 075 100 125	≈ 0,92
B17.7.□.0	100	113,0	063	075 100 125	≈ 1,06

Supplement Part No. with required radius. Example: B17.1.063.0

0 = standard color, other colors ► page 1.39 · Pitch = 30,5 mm/link - Links/m = 33



Part No. structure



Series B17i - snap-open along inner radius

Part No.	<i>Bi</i> [mm]	<i>Ba</i> [mm]	<i>R</i> [mm]	Bending radii	Weight [kg/m]
B17i.1.□.0	15	25,5	048	063 075 100 125	≈ 0,52
B17i.2.□.0	25	35,5	048	063 075 100 125	≈ 0,59
B17i.3.□.0	38	48,5	048	063 075 100 125	≈ 0,65
B17i.4.□.0	50	60,5	048	063 075 100 125	≈ 0,70
B17i.5.□.0	63	76,0	063	075 100 125	≈ 0,83
B17i.6.□.0	80	93,0	048	063 075 100 125	≈ 0,92
B17i.7.□.0	100	113,0	063	075 100 125	≈ 1,06

The widths *Bi* 15/25/50/63/80/100 are available upon request. Time of delivery approx. 6-8 weeks after order.

Supplement Part No. with required radius. Example: B17i.3.063.0

0 = standard color, other colors ► page 1.39 · Pitch = 30,5 mm/link - Links/m = 33

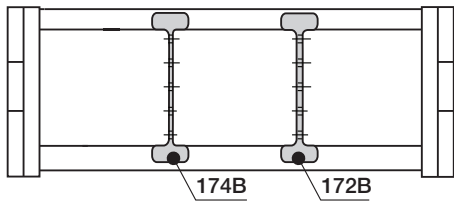


### Option 1: Vertical Separators

Vertical Separators are used if a vertical subdivision of the E-Chain® interior is required -

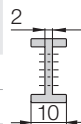
By standard Vertical Separators are assembled every other E-Chain® link

- **Standard** subdivision with **Vertical Separator, slotted 172B** (for B17.1 to B17.4) or, **Vertical Separator, slotted 174B** (for B17.5 to B17.7) for combinations with **Full-Width Shelf 111.X**



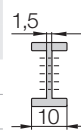
**Vert. Separator, slotted for B17.1 to B17.4**

unassembled	<b>171B</b>
assembled	<b>172B</b>



**Vert. Separator, slotted for B17.5 to B17.7**

unassembled	<b>173B</b>
assembled	<b>174B</b>

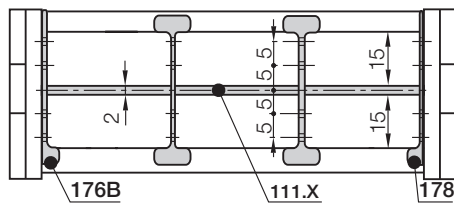


E2 mini  
Inner height: 32 mm

### Option 2: Full-Width Shelves

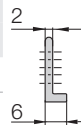
For applications involving many thin cables with similar or identical diameters

- **Side Plate 156** can be combined with **Vertical Separator, slotted 172B** (for B17.1 to B17.4) or **Vertical Separator, slotted 174B** (for B17.5 to B17.7) and **Full-Width Shelf 111.X**



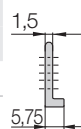
**Side Plate for B17.1 to B17.4**

unassembled	<b>175B</b>
assembled	<b>176B</b>



**Side Plate for B17.5 to B17.7**

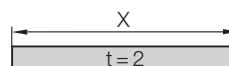
unassembled	<b>177</b>
assembled	<b>178</b>



Width X [mm]	Part No. unassembled	Part No. assembled
015	<b>110.15</b>	<b>111.15</b>
025	<b>110.25</b>	<b>111.25</b>
038	<b>110.38</b>	<b>111.38</b>
050	<b>110.50</b>	<b>111.50</b>

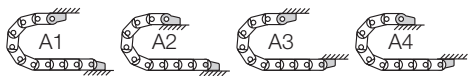
Width X [mm]	Part No. unassembled	Part No. assembled
063	<b>110.63</b>	<b>111.63</b>
080	<b>110.80</b>	<b>111.80</b>
100	<b>110.100</b>	<b>111.100</b>

**Full-Width Shelf**



Phone +49- (0) 22 03-96 49-800  
Fax +49- (0) 22 03-96 49-222





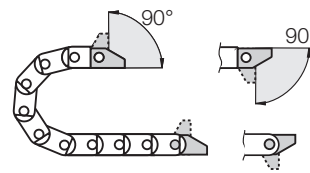
Possible installation conditions for assembled mounting brackets ► Order example "preassembled" below



**Polymer, one-piece**

- One-piece mounting bracket
- Corrosion-resistant
- Available preassembled
- Inner and outer attachment possible
- Available with or without integrated strain relief tiwrap plates

Moving end with bore  
(outer link) 117...1P(Z)



117...2P(Z) Fixed end  
with pin (inner link)

Phone +49- (0) 22 03-96 49-800  
Fax +49- (0) 22 03-96 49-222

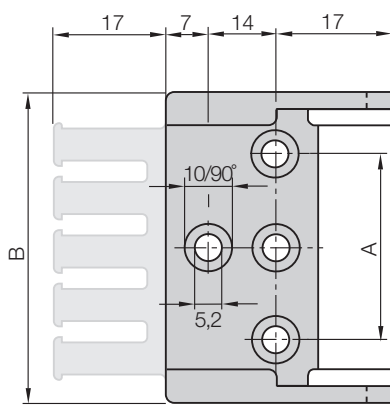
igus® GmbH  
51147 Cologne

Internet: [www.igus.eu](http://www.igus.eu)  
E-mail: [info@igus.de](mailto:info@igus.de)

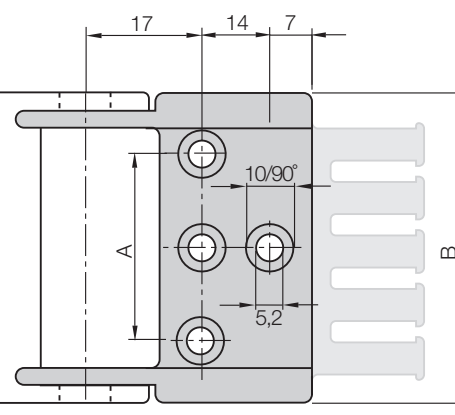
**Dimensions and order configurations**

Strain relief is possible on the moving end and/or the fixed end.

117...1P(Z)  
Moving end

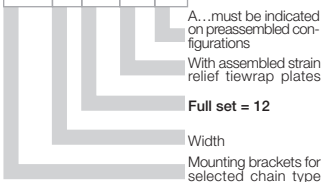


117...2P(Z)  
Fixed end



**Part No. structure**

117. 1. 12 PZ A1



Full set, for both ends:

117. 1. 12 PZ +tiwrap platee

Single-part order:

117. 1. 1 PZ +tiwrap plate

Mounting bracket with bore

117. 1. 2 PZ +tiwrap plate

Mounting bracket with pin

117.1.12P(Z): center bores only

117.2.12P(Z) - 117.7.12P(Z): outer bores only

For E-Chain®	Part No. full set with tiwrap plate	Part No. full set without tiwrap plate	Number of teeth	Dim. A [mm]	Dim. B [mm]
B17.1.	► 117.1. 12 PZ	117.1. 12 P	2	-	25,5
B17.2.	► 117.2. 12 PZ	117.2. 12 P	3	12	35,5
B17-B17i.3.	► 117.3. 12 PZ	117.3. 12 P	4	25	48,5
B17.4.	► 117.4. 12 PZ	117.4. 12 P	5	37	60,5
B17.5.	► 117.5. 12 PZ	117.5. 12 P	6	48	76,0
B17.6.	► 117.6. 12 PZ	117.6. 12 P	8	65	93,0
B17.7.	► 117.7. 12 PZ	117.7. 12 P	10	85	113,0

For the preassembled mode please add the index A1 ... A4 e.g. 117.1. 12 PZ A1