

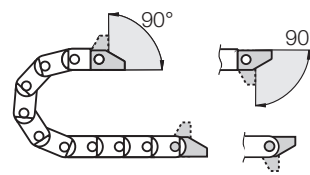
Possible installation conditions for assembled mounting brackets ► Order example "preassembled" below



Polymer, one-piece

- One-piece mounting bracket
- Corrosion-resistant
- Available preassembled
- Inner and outer attachment possible
- Available with or without integrated strain relief tiwrap plates

Moving end with bore
(outer link) 117...1P(Z)



117...2P(Z) Fixed end
with pin (inner link)

Phone +49- (0) 22 03-96 49-800
Fax +49- (0) 22 03-96 49-222

igus® GmbH
51147 Cologne

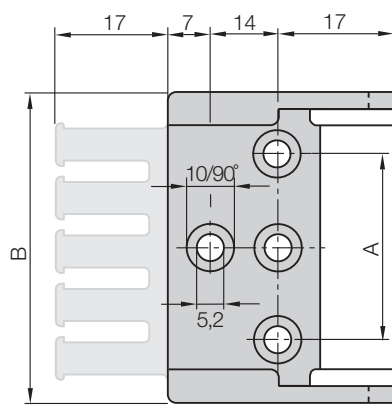
Internet: www.igus.eu
E-mail: info@igus.de

Dimensions and order configurations

Strain relief is possible on the moving end and/or the fixed end.

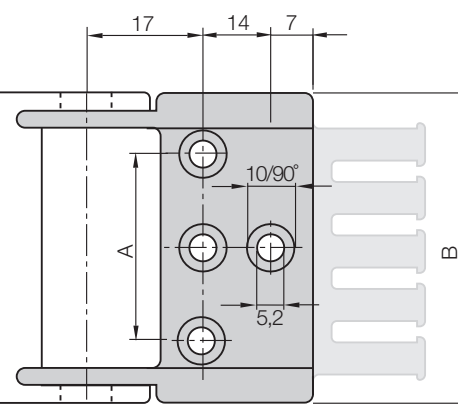
117...1P(Z)

Moving end



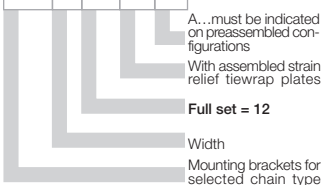
117...2P(Z)

Fixed end



Part No. structure

117. 1. 12 PZ A1



Full set, for both ends:

117. 1. 12 PZ +tiwrap platee

Single-part order:

117. 1. 1 PZ +tiwrap plate

Mounting bracket with bore

117. 1. 2 PZ +tiwrap plate

Mounting bracket with pin

117.1.12P(Z): center bores only

117.2.12P(Z) - 117.7.12P(Z): outer bores only

For E-Chain®	Part No. full set with tiwrap plate	Part No. full set without tiwrap plate	Number of teeth	Dim. A [mm]	Dim. B [mm]
B17.1.	► 117.1. 12 PZ	117.1. 12 P	2	-	25,5
B17.2.	► 117.2. 12 PZ	117.2. 12 P	3	12	35,5
B17-B17i.3.	► 117.3. 12 PZ	117.3. 12 P	4	25	48,5
B17.4.	► 117.4. 12 PZ	117.4. 12 P	5	37	60,5
B17.5.	► 117.5. 12 PZ	117.5. 12 P	6	48	76,0
B17.6.	► 117.6. 12 PZ	117.6. 12 P	8	65	93,0
B17.7.	► 117.7. 12 PZ	117.7. 12 P	10	85	113,0

For the preassembled mode please add the index A1 ... A4 e.g. 117.1. 12 PZ A1