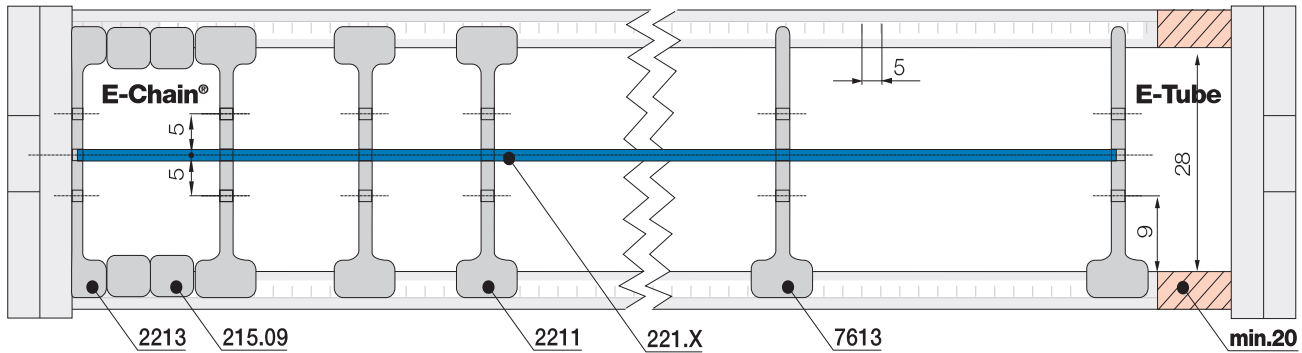


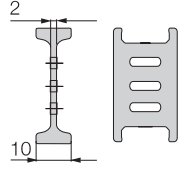

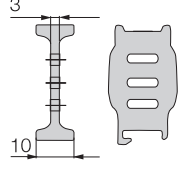

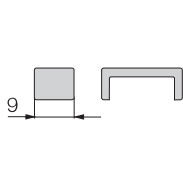

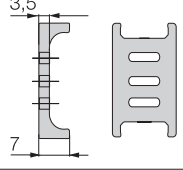

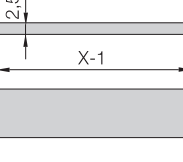


Option 1 | Separators and spacers* (*side-mounted applications)



Note E-Tube: Please observe a lateral spacing of **20 mm** to the sidelinks!
In the standard configuration separators are assembled every 2nd E-Chain® link !

			Separator for E-Chains®	unassembled 2201	assembled 2211
			Separator for E-Tubes	unassembled 7603	assembled 7613
		Spacer* for E-Chains®	unassembled 205.09	assembled 215.09	
		Side plate for E-Chains®	unassembled 2203	assembled 2213	
		Full-width shelf (40-200 mm)	unassembled 220.X	assembled 221.X	

Separator 2201 (E-Chains® only)

is used when vertical and horizontal separation is required. Due to its slot, it allows basic vertical/horizontal shelving arrangements.

Separator 7603 (E-Tubes only)

For E-Tubes R4.28.

Spacer* 205.09 (E-Chains® only)

Separators can be fixed in position by spacers. The available interior height is reduced by 2 mm per spacer (4 mm when spacers are fitted on both sides). To avoid this, the parts can also be installed from the outside on the opening crossbar. (not for long travel applications).

Side plate 2203 (E-Chains® only)

Works like separator. Allows modular shelving close to the side links.

Full-width shelf 220.X

This option makes sense in applications with many thin cables with similar diameters. Full-width shelves can be arranged at 3 different heights (in 5 mm increments).

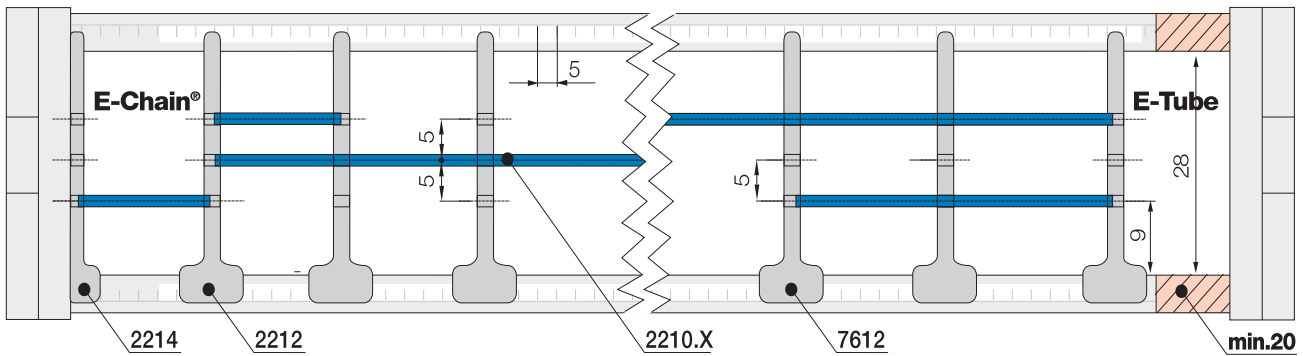
Full-width shelf

Width X [mm]	unassembled	assembled	Width X [mm]	unassembled	assembled	Width X [mm]	unassembled	assembled
040	220.40	221.40	075	220.75	221.75	150	220.150	221.150
050	220.50	221.50	087	220.87	221.87	175	220.175	221.175
062	220.62	221.62	100	220.100	221.100	200	220.200	221.200
070	220.70	221.70	125	220.125	221.125			



E4.1 | Series E4.28 | Interior separation

Option 2 | Shelves



Note E-Tube: Please observe a lateral spacing of 20 mm to the seidelinks!
In the standard configuration separators are assembled every 2nd E-Chain® link !

		Middle plate for E-Chains® unassembled 2202 assembled 2212
--	--	---

Middle plate 2202 (E-Chains® only)

To achieve a modular shelving by shelf 2220.X arranged at 3 different heights (in 5 mm increments).

		Middle plate for E-Tubes unassembled 7602 assembled 7612
--	--	---

Middle plate 7602 (E-Tubes only)

For E-Tubes R4.28.
A side plate is not available for the E-Tube.

		Side plate for E-Chains® unassembled 2204 assembled 2214
--	--	---

Side plate 2204 (E-Chains® only)

Works like middle plate.
Allows modular shelving close to the side links.

		Shelf (18-149 mm) unassembled 2220.X assembled 2210.X
--	--	--

Shelf 2220.X

For horizontal separation. Shelves of various widths can be arranged at 3 different heights (in 5 mm increments).

Shelves

Width X [mm]	unassembled	assembled	Width X [mm]	unassembled	assembled	Width X [mm]	unassembled	assembled
018	2200.18	2210.18	043	2200.43	2210.43	088	2200.88	2210.088
023	2200.23	2210.23	048	2200.48	2210.48	099	2200.99	2210.099
028	2200.28	2210.28	058	2200.58	2210.58	124	2200.124	2210.124
033	2200.33	2210.33	068	2200.68	2210.68	149	2200.149	2210.149
038	2200.38	2210.38	073	2200.73	2210.73			

