



e-chains® | Series E4.350 | Crossbars every link (crossbars removable along the inner and outer radius)

Part No.	<i>Bi</i>	<i>Ba</i>	E4.350
e-chains®	[mm]	[mm]	[kg/m]
E4.350.400.R.0	400	540	≈ 61.9
E4.350.500.R.0	500	640	≈ 65.7
E4.350.600.R.0	600	740	≈ 69.6

Part No.	<i>Bi</i>	<i>Ba</i>	E4.350
e-chains®	[mm]	[mm]	[kg/m]
E4.350.700.R.0	700	840	≈ 73.4
E4.350.800.R.0	800	940	≈ 77.2

Available bend radii

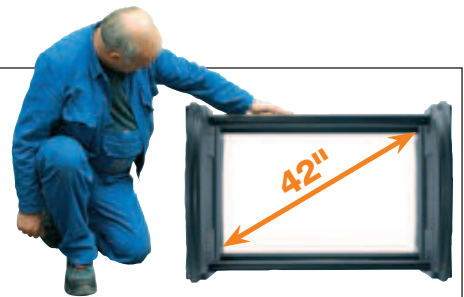
R [mm] | 500 | 750 | 1.000 |

Complete Part No. with required radius (*R*). Example: E4.350.500.500.0 = crossbars every link

igus® Serie E4.350 - inner height: 350 mm

- Please ask for additional support when using this series
- Optimal sizing will be done by the igus® project team

Please consult igus® ► Phone +49 2203 9649-800

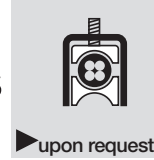


The largest* plastic e-chain® series E4.350 now available as ESD-version

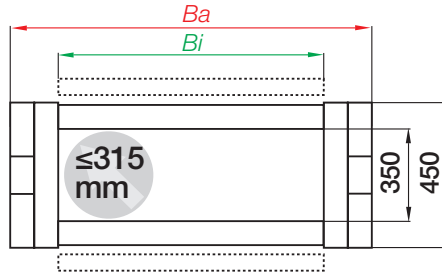
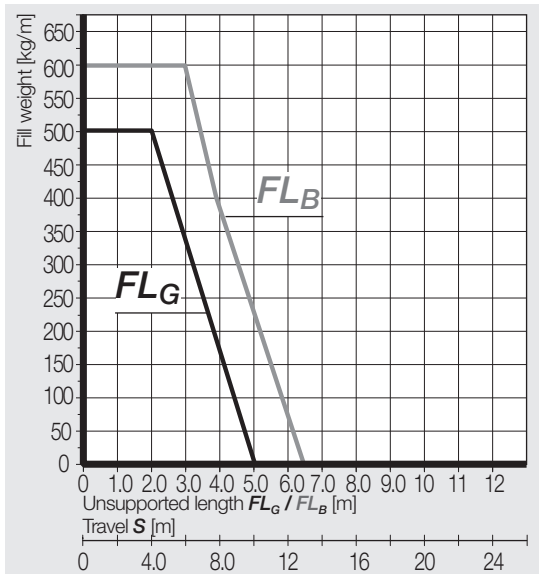
- Safe electrostatic discharge through material and design
- Permanently constant discharge due to a positive connection of the echain® links to one another

More information ► www.igus.eu/ESD

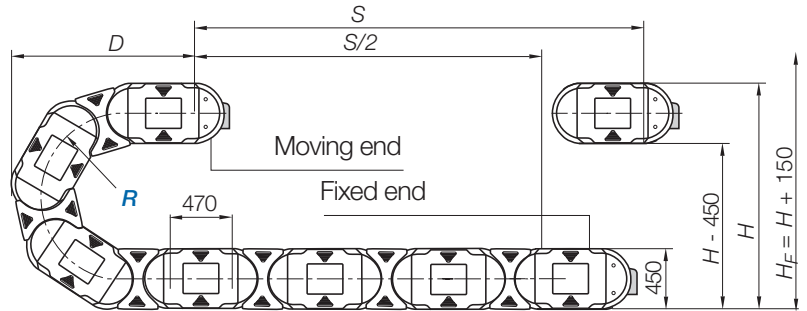




Unsupported applications | Short travels

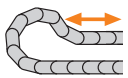


Inner height [mm]	350
Pitch [mm/link]	470
Links/m	2
corresponds to [mm]	940
Chain length	$L_K = \frac{S}{2} + K$



R	500	750	1.000
$H_{\pm 25}$	1,450	1,950	2,450
D	1,430	1,680	1,930
K	2,515	3,300	4,085

The required clearance height: $H_F = H + 150\text{ mm}$



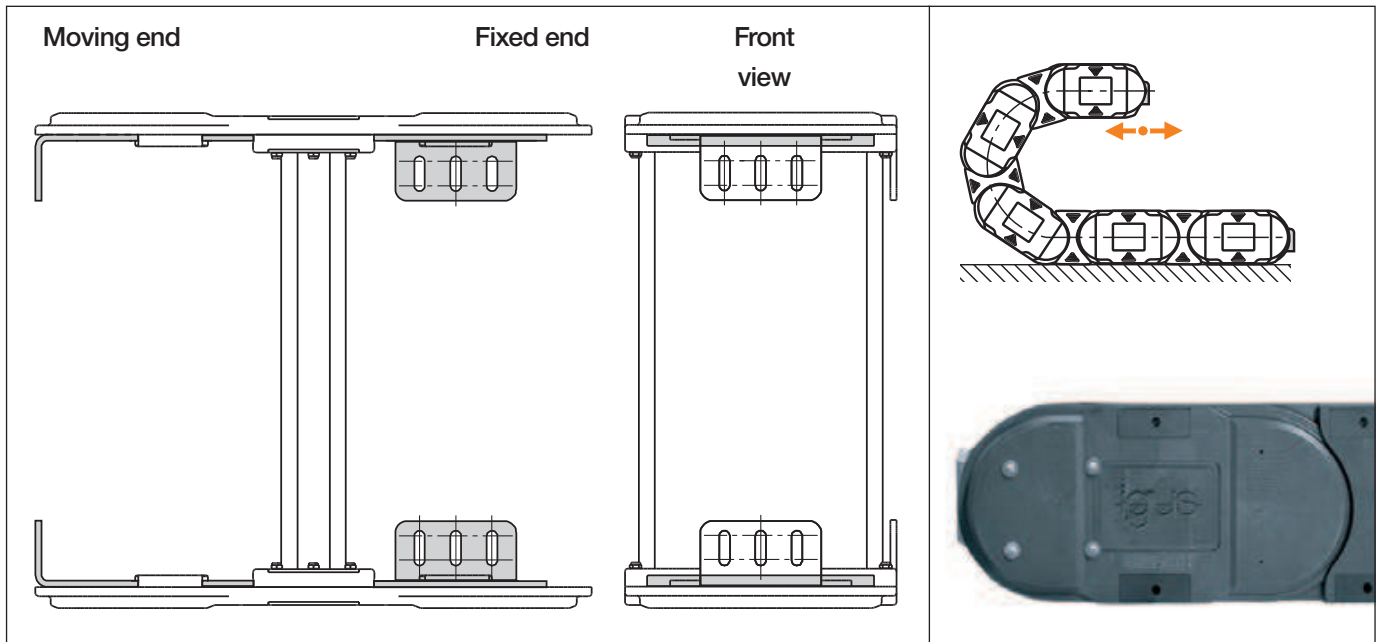
If a gliding application is required for a long travel, please consult igus®



The world's largest polymer e-chain®: lighter than comparable steel chains, it effortlessly carries more than 100 kg of weight per metre on a 138 m travel

E4.1 | Series E4.350 | Accessories

Steel mounting brackets | Locking



Steel mounting brackets

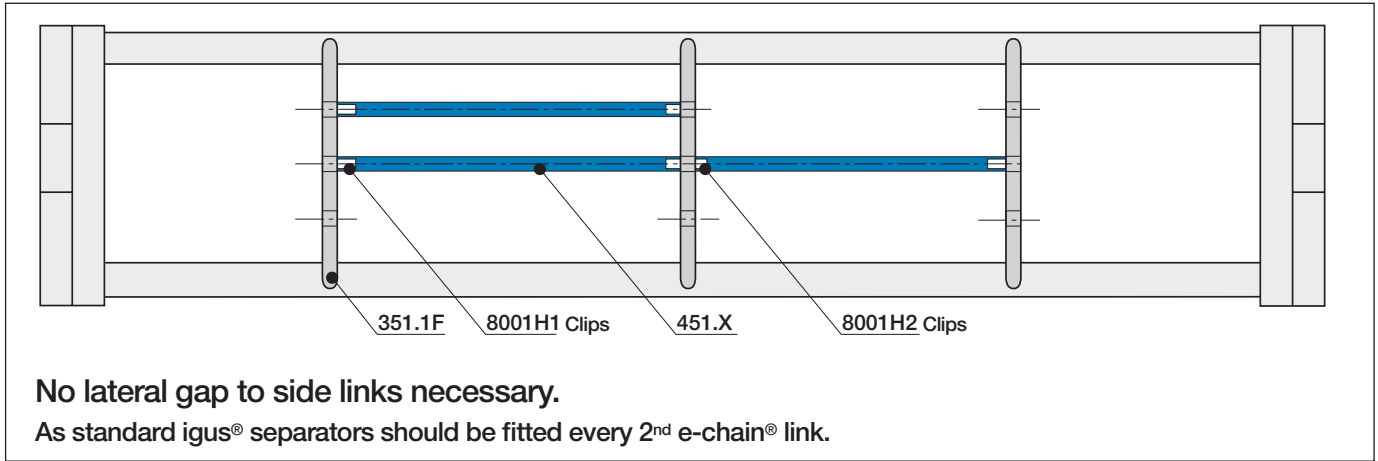


Mounting brackets for serie E4.350 according to your requirements.
Steel or stainless steel available. (Material: stainless steel 1.4301)



Robust steel mounting bracket for secure fixation and connection

Interior separation



Separator for vertical subdivision

unassembled	350.1F
assembled	351.1F

Separator

For a vertical subdivision with 450.X

Horizontal shelves

unassembled	450.X
assembled	451.X

Horizontal shelves

For horizontal separation with clips separators for vertical subdivision. Horizontal shelves of various widths can be fitted at 3 different heights.

Horizontal shelves
Width = X [mm]

X [mm]	unassembled	assembled	X [mm]	unassembled	assembled	X [mm]	unassembled	assembled
50	450.50	451.50	225	450.225	451.225	412	450.412	451.412
55	450.55	451.55	237	450.237	451.237	425	450.425	451.425
65	450.65	451.65	250	450.250	451.250	437	450.437	451.437
75	450.75	451.75	262	450.262	451.262	450	450.450	451.450
87	450.87	451.87	275	450.275	451.275	462	450.462	451.462
100	450.100	451.100	287	450.287	451.287	475	450.475	451.475
112	450.112	451.112	300	450.300	451.300	487	450.487	451.487
125	450.125	451.125	312	450.312	451.312	500	450.500	451.500
137	450.137	451.137	325	450.325	451.325	512	450.512	451.512
150	450.150	451.150	337	450.337	451.337	525	450.525	451.525
162	450.162	451.162	350	450.350	451.350	537	450.537	451.537
175	450.175	451.175	362	450.362	451.362	550	450.550	451.550
187	450.187	451.187	375	450.375	451.375	600	450.600	451.600
200	450.200	451.200	387	450.387	451.387			
212	450.212	451.212	400	450.400	451.400			