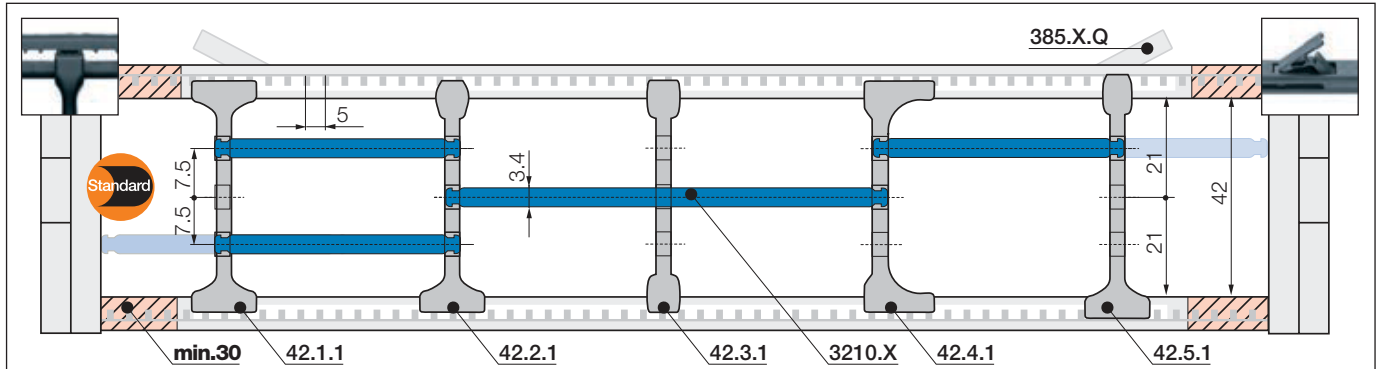


E4.1 | Series E4.42·H4.42·R4.42 | Accessories

Interior separation | Increase cable service life

Previous generation of interior separation with other options ► www.igus.eu/E4.42



Note: please be aware of the minimum lateral gap to the side links! **e-tubes: 30 mm**
As standard igus® separators should be fitted every 2nd e-chain® link!

Standard		 3 14	Standard separator, wide base unassembled 42.1 assembled 42.1.1
		 4 3 14	Separator for QuickLock crossbar unassembled 42.2 assembled 42.2.1
		 3 7	Separator, narrow base unassembled 42.3 assembled 42.3.1
		 3 275 825 14	Separator, asymmetrical unassembled 42.4 assembled 42.4.1
		 4 3 14	Notch separator for notched crossbar unassembled 42.5 assembled 42.5.1
		 X-1	Shelf, lockable unassembled 3200.X assembled 3210.X

Standard - for any application

Separator with a wide base for maximum holding strength in the e-chain®.

For even faster installation

Separator for igus® QuickLock crossbar **385.X.Q**. Wide on one side for high holding strength, narrow on opposite side for easy cable fitting.

For small cables

Separator with a narrow base for a large number of small cables side by side. Saves space in the e-chain®. Also available for QuickLock crossbars.

For side-mounted applications

Asymmetrical separator, for defined gap distance. No additional spacers required.

Locks securely in preset increments

Notch separator for exact positioning in e-chains®. Recommended for side-mounted applications.

Horizontal separation

Full-width shelf locks securely into separators at both ends, giving a fixed width. Can be used as full-width or partial shelf.

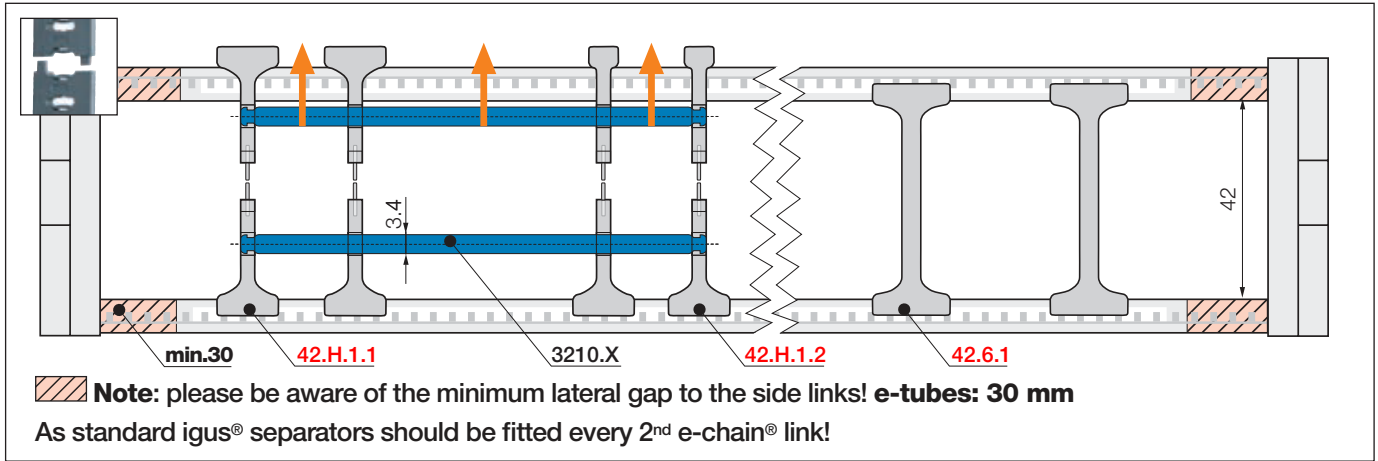
Shelves

Width = X [mm]



X [mm]	unassembled	assembled	X [mm]	unassembled	assembled	X [mm]	unassembled	assembled
050	3200.050	3210.050	125	3200.125	3210.125	225	3200.225	3210.225
075	3200.075	3210.075	150	3200.150	3210.150	250	3200.250	3210.250
100	3200.100	3210.100	175	3200.175	3210.175			
115	3200.115	3210.115	200	3200.200	3210.200			

Special components | Further interior separations New



		<p>Split separator, wide base</p> <p>unassembled 42.H.1</p> <p>assembled 42.H.1.1</p>
		<p>Split separator, narrow base</p> <p>unassembled 42.H.2</p> <p>assembled 42.H.2.1</p>
		<p>Locking separator</p> <p>unassembled 42.6</p> <p>assembled 42.6.1</p>

Split separators

In order to fill e-chains® more easily and effectively, these separators can be split in the middle. As a result, a quick filling with cables is also possible for the "middle" shelf chambers from above. Fast assembly and universal retrofit. 2 types available: with wide or narrow base

For increased holding strength

Locking separators for higher opening forces with high humidity and/or large hydraulic hoses. They can be positioned precisely and then locked in position.



igus® E4.1 in an earth drilling machine. A standing application, it withstands high vibration, thanks to the plastic construction and absence of loose parts such as rivets or screws