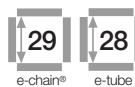


Extremely low noise and vibration



e-chains® | Series E6.29 | Crossbars removable along the inner and outer radius  
e-tubes | Series R6.29 | Lids removable along the inner and outer radius

Part No.	Part No.	Bi	Ba	E6.29	R6.29	Part No.	Part No.	Bi	Ba	E6.29	R6.29	
e-chains®	e-tubes	[mm]	[mm]	[kg/m]	[kg/m]	e-chains®	e-tubes	[mm]	[mm]	[kg/m]	[kg/m]	
E6.29.030.R.0	R6.29.030.R.0	30	46	0.73	0.80	E6.29.090.R.0	R6.29.090.R.0*	90	106	0.88	1.08	
E6.29.040.R.0	R6.29.040.R.0	40	56	0.75	0.85	E6.29.100.R.0	R6.29.100.R.0*	100	116	0.90	1.13	
E6.29.050.R.0	R6.29.050.R.0	50	66	0.78	0.89	E6.29.110.R.0	R6.29.110.R.0	110	126	0.93	1.18	
E6.29.060.R.0	R6.29.060.R.0	60	76	0.80	0.94	E6.29.120.R.0	R6.29.120.R.0	120	136	0.95	1.22	
E6.29.070.R.0	R6.29.070.R.0*	70	86	0.83	0.97	E6.29.140.R.0	-	140.R.0	140	156	1.00	-
E6.29.080.R.0	R6.29.080.R.0	80	96	0.85	1.03							

\*Width available upon request. Please consult igus® for delivery time.

Available bend radii

R [mm] | 055 | 075 | 100 | 150 |

Complete Part No. with required radius (R). Example:

E6.29.080.100.0 = e-chain® / R6.29.080.100.0 = e-tube

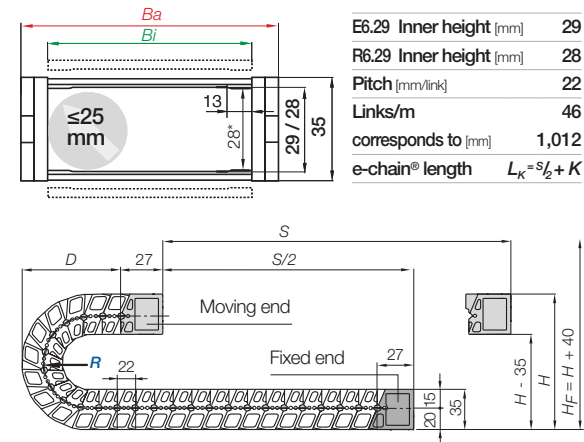
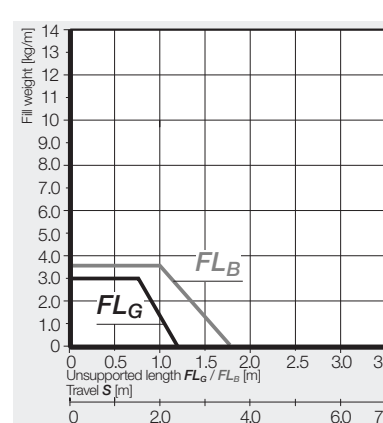


Installation note - system E6

To open, insert the screwdriver into the locking mechanism and prise it open. Repeat the procedure on the other side.

Assembly video available online at ► [www.igus.co.uk/E6\\_assembly](http://www.igus.co.uk/E6_assembly)

Unsupported applications | Short travels



E6.29 Inner height [mm]	29
R6.29 Inner height [mm]	28
Pitch [mm/link]	22
Links/m	46
corresponds to [mm]	1,012
e-chain® length $L_K = S/2 + K$	

R	055	075	100	150
H	180	220	270	370
D	108	128	153	203
K	220	280	360	520

The required clearance height:  $H_F = H + 40\text{mm}$  (with 2.0kg/m fill weight)

**i** If a gliding application is required for a long travel, please consult igus®.

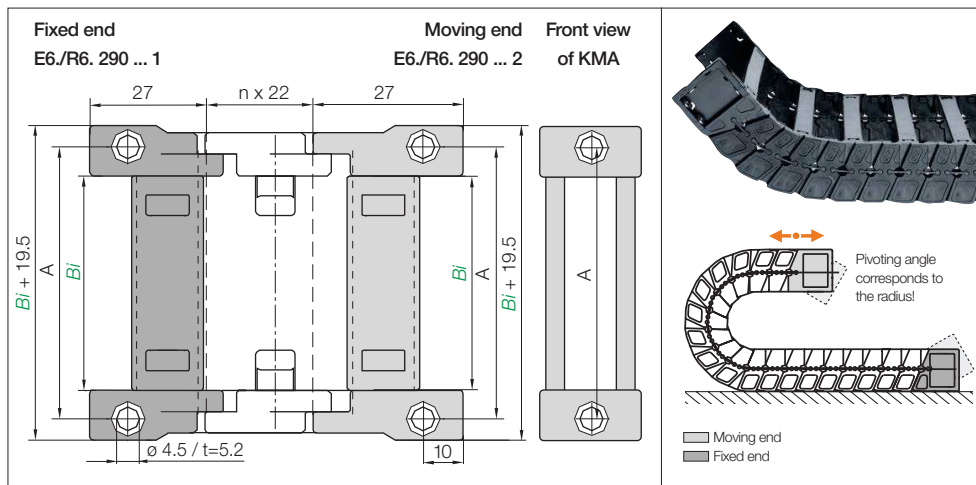


Aluminium support tray

- Corrosion-resistant and seawater-resistant aluminium rails with adjustable width
- Noise-reducing glide strip integrated as standard
- Easy installation and connection of the e-chain®
- Open design - dirt and debris fall through

More information ► From page 1362



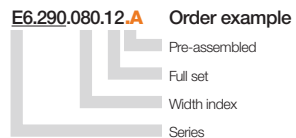
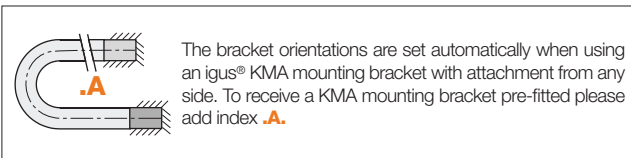


KMA pivoting | Recommended for unsupported applications

Width index	Part No. full set KMA pivoting	A [mm]	Bi [mm]	Width index	Part No. full set KMA pivoting	A [mm]	Bi [mm]
030.	E6.290. R6.290. 030.12	40	30	090.	E6.290. R6.290.* 090.12	100	90
040.	E6.290. R6.290. 040.12	50	40	100.	E6.290. R6.290.* 100.12	110	100
050.	E6.290. R6.290. 050.12	60	50	110.	E6.290. R6.290. 110.12	120	110
060.	E6.290. R6.290. 060.12	70	60	120.	E6.290. R6.290. 120.12	130	120
070.	E6.290. R6.290.* 070.12	80	70	140.	E6.290 - 140.12	150	140
080.	E6.290. R6.290. 080.12	90	80				

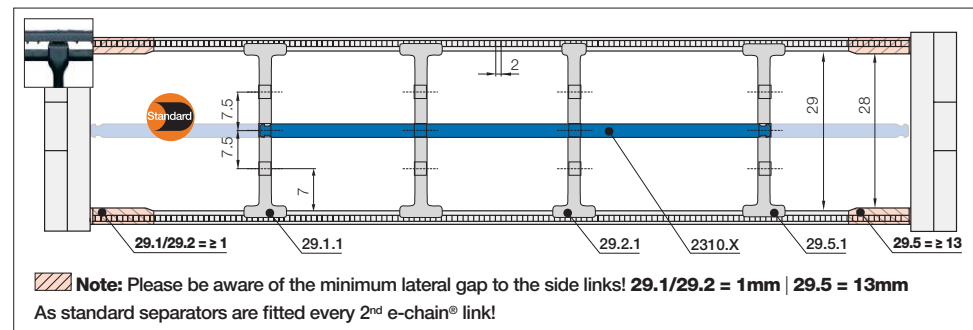
\*Width available upon request. Please consult igus® for delivery time.

(KMA = polymer metal mounting bracket)



**Strain relief** e.g. clamps, tiwrap plates, nuggets and clips are available from stock. The complete chainfix range with ordering options ► From page 1392

Previous generation of interior separation with other options ► [www.igus.co.uk/E6.29](http://www.igus.co.uk/E6.29)



	2.5 8	<b>Standard separator, wide base</b> unassembled <b>29.1</b> assembled <b>29.1.1</b>
	4 2.5 8	<b>Separator, narrow top</b> unassembled <b>29.2</b> assembled <b>29.2.1</b>
	2.5 8	<b>Notch separator for notched crossbar</b> unassembled <b>29.5</b> assembled <b>29.5.1</b>
	X-1	<b>Shelf, lockable</b> unassembled <b>2300.X</b> assembled <b>2310.X</b>

**Standard - for any application**

Separator with a wide base for maximum holding force.

**For even faster installation**

Wide on one side for high holding force, narrow on opposite side for easy cable fitting.

**Locks securely in preset increments**

Notch separator for exact positioning. Recommended for side-mounted applications.

**Horizontal separation**

Full-width shelf locks securely into separators at both ends, giving a fixed width. Can be used as full-width or partial shelf.

**Shelves**  
Width = X [mm]



X [mm]	unassembled	assembled	X [mm]	unassembled	assembled	X [mm]	unassembled	assembled
015	2300.015	2310.015	060	2300.060	2310.060	087	2300.87	2310.087
025	2300.025	2310.025	062	2300.062	2310.062	090	2300.90	2310.090
030	2300.030	2310.030	065	2300.065	2310.065	100	2300.100	2310.100
038	2300.038	2310.038	070	2300.070	2310.070	103	2300.103	2310.103
040	2300.040	2310.040	075	2300.075	2310.075	110	2300.110	2310.110
050	2300.050	2310.050	077	2300.077	2310.077	120	2300.120	2310.120
057	2300.057	2310.057	080	2300.080	2310.080	125	2300.125	2310.125

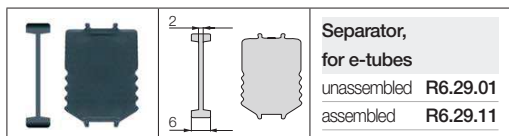
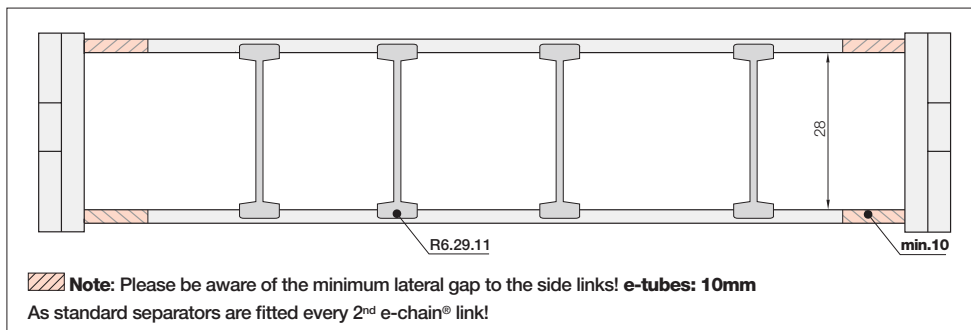
**Separator with integrated strain relief teeth**

- Can be integrated into the mounting bracket or placed at any point
- Combines strain relief and interior separation, for restricted space conditions
- Strain relief separator is easy to assemble without any screws

Part No. E6.29.02.Z - more information ► From page 1424



Interior separation (only for e-tubes, for e-chains® ► previous page)



**Separator for e-tubes**

Notches on the separator indicate the clamping side of the separator. The notches on this separator mark the side that fixes to the lid.

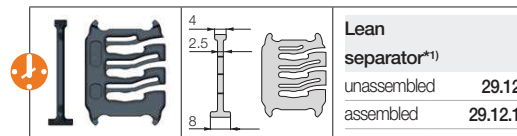
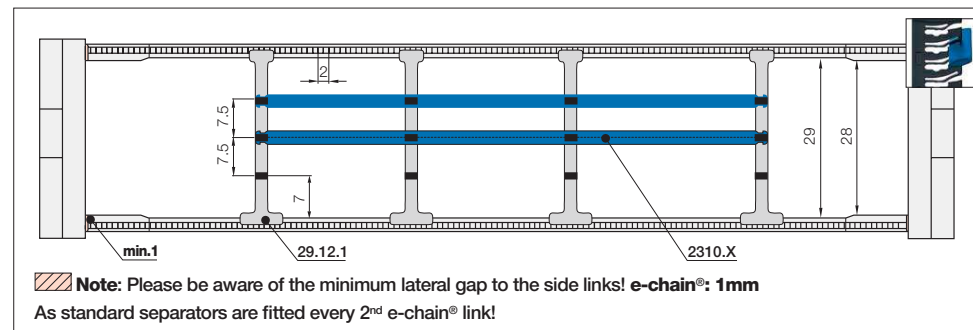
**Separator with integrated strain relief teeth**

- Can be integrated into the mounting bracket or placed at any point
  - Combines strain relief and interior separation, for restricted space conditions
  - Strain relief separator is easy to assemble without any screws
- Part No. R6.29.02.Z - more information ► From page 1424



Long travel length with side-mounted orientation using the low noise and vibration series E6 for a camera application

Interior separation | To allow faster filling



**Lean separators\*1)**

For quick fitting of shelves in several layers.

- 1) Note: Please combine maximum 4 lean separators with one shelf. Not suitable for side-mounted e-chains®!**

\*Only suitable for e-chains®

With the lean separator you can quickly insert several layers of cables into the e-chain® and reduce the installation time by up to 50%<sup>2)</sup>.

2) Lean interior separation vs. Standard separator - measured on a 4m long e-chain® fitted with 12 cables in the igus® readychain® factory

