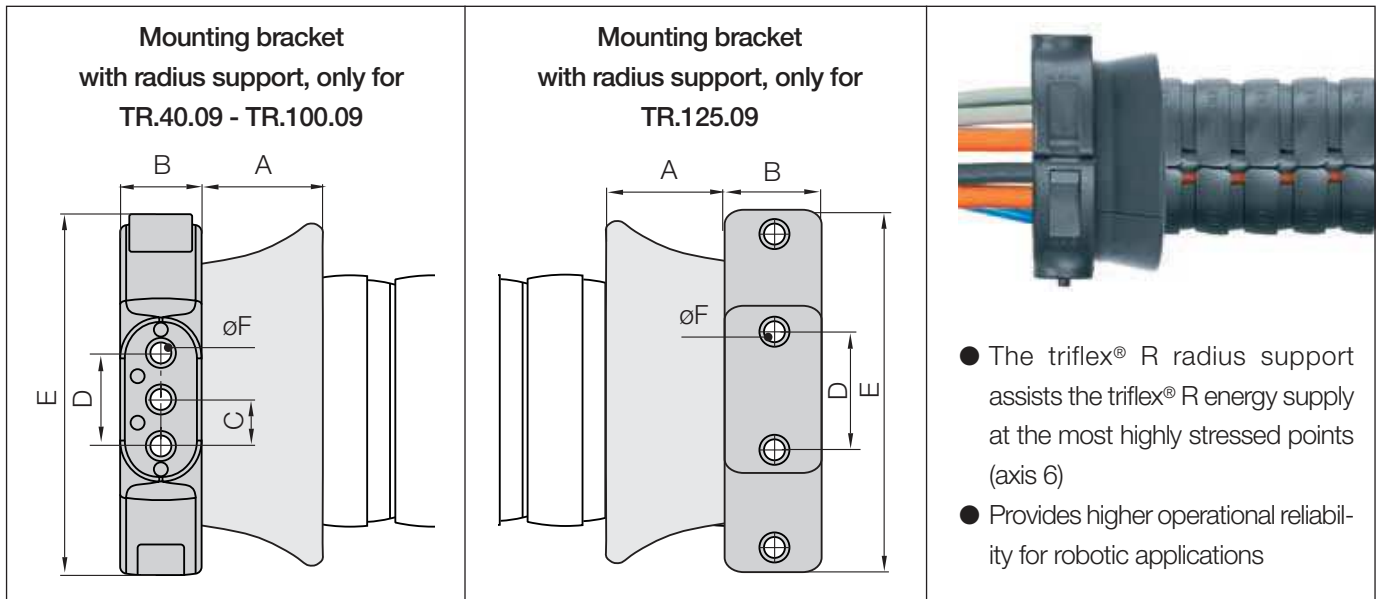


Mounting brackets | With radius support **New**

Mounting brackets | With radius support | For TRC·TRE·TRCF·TRL·TRLF



TR.40.09 - TR.100.09



TR.125.09

Ø Index	Part No. with radius support	A [mm]	B [mm]	C [mm]	D [mm]	E [mm]	F [mm]
30.	▶ -	-	-	-	-	-	-
40.	▶ TR.40.09.M6 ¹⁾	28	21	13.5	27	84.5	6.5
50.	▶ TR.50.09.M6 ¹⁾	38	21	13.5	27	84.5	6.5
60.	▶ TR.60.09.M8 ¹⁾	38	32	20	40	126	9
65.	▶ TR.65.09.M8 ¹⁾	45	32	20	40	126	9
70.	▶ TR.70.09.M8 ¹⁾	43	32	20	40	126	9
85.	▶ TR.85.09.M8 ¹⁾	49	35	20	40	155	9
85. (R 240)	▶ -	-	-	-	-	-	-
100.	▶ TR.100.09.M8 ¹⁾	67	35	20	40	155	9
125.	▶ TR.125.09.M8 ¹⁾	72	40	-	64	190	9

Strain reliefs are for use on the fixed end and/or moving end.

Standard: through holes in Ø F - 1) option: with threaded bushings, steel, M6/M8