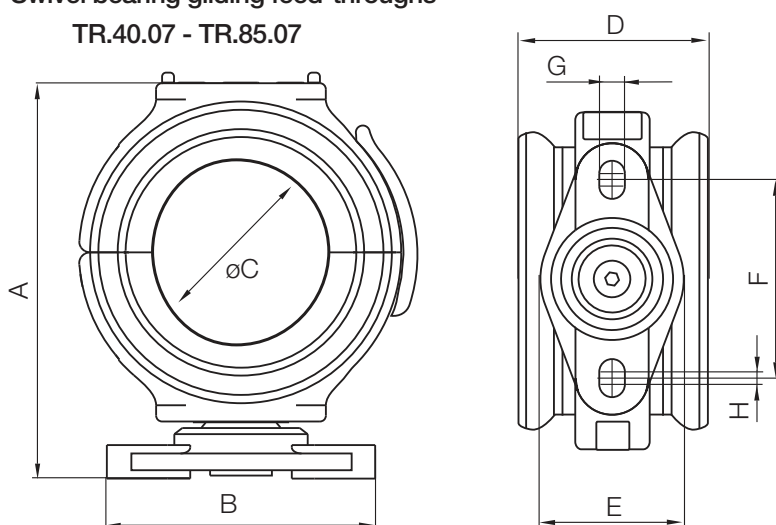


Swivel bearing gliding feed-throughs

Swivel bearing gliding feed-throughs

TR.40.07 - TR.85.07



- Gliding feed-through with swivel bearing
- For TRC·TRE·TRCF e-chains®
- Pivoted mounting with maintenance-free igubal® spherical bearings

Swivel bearing gliding feed-throughs | For TRC·TRE·TRCF

TR.40.07 -
TR.85.07

Ø	Part No.	A	B	C	D	E	F	G
Index	with swivel bearing	[mm]	[mm]	[mm]	[mm]	[mm]	[mm]	[mm]
30.	▶ -	-	-	-	-	-	-	-
40.	▶ TR.40.07	108	89	46	32	47	65	8.4
50.	▶ TR.50.07	119	89	58	67	47	65	8.4
60.	▶ TR.60.07	156	118	70	50	65	87.5	10.5
65.	▶ TR.65.07	156	118	75	75	65	87.5	10.5
70.	▶ TR.70.07	183	118	86	70	65	87.5	10.5
85.	▶ TR.85.07	183	118	100	84	65	87.5	10.5
85. (R 240)	▶ TR.85.07 ⁴⁾	183	118	100	84	65	87.5	10.5
100.	▶ -	-	-	-	-	-	-	-
125.	▶ -	-	-	-	-	-	-	-

4) Only for special size TRCF.85.240.0 with 240 degree bend radius