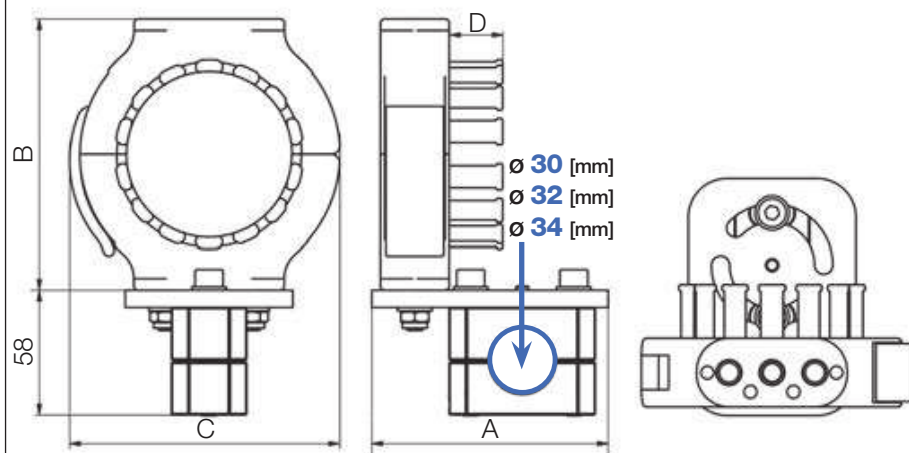


Compact connection **with** strain relief

TR.40.21.01.XX - TR.100.21.01.XX



- With integrated strain relief tie-wrap plates
- Safe and simple securing of the cables with cable ties
- Various adjustment options

Compact connections | **With strain relief** | For TRC·TRE·TRCFTR.40.21.01.XX -
TR.100.21.01.XX

Ø Index	Part No. with strain relief	Clamp Ø [mm]	A [mm]	B [mm]	C [mm]	D [mm]
30.	▶ -	-	-	-	-	-
40.	▶ TR.40.21.01.	30 32 34	110	85	84.5	17.8
50.	▶ TR.50.21.01.	30 32 34	110	85	84.5	21
60.	▶ TR.60.21.01.	30 32 34	110	126	126	25
65.	▶ TR.65.21.01. ⁵⁾ *	30 32 34	110	126	126	25
70.	▶ TR.70.21.01.	30 32 34	110	126	126	25
85.	▶ TR.85.21.01.	30 32 34	110	153	155	38
85. (R 240)	▶ TR.85.240.21.01. ⁴⁾	30 32 34	110	153	155	38
100.	▶ TR.100.21.01.	30 32 34	110	153	155	38
125.	▶ -	-	-	-	-	-

Standard clamp for axis 6: ø 30 mm

4) Only for special size TRCF.85.240.0 with 240 degree bend radius

5) Available upon request. Please consult igus® for delivery time.

Part No. with desired diameter for the axis 6 clamp | 30 | 32 | 34 | e.g. TR.100.21.01.30

Compact connections for clamp axis 6 | **Without strain relief**

Compact connection **without** strain relief
TR.40.21.02.XX - TR.100.21.02.XX

- Without strain relief
- Space-saving
- Various adjustment options

Compact connections | **Without strain relief** | For TRC·TRE·TRCF



Ø Index	Part No. without strain relief	Clamp Ø [mm]	A [mm]	B [mm]	C [mm]	D [mm]
30.	▶ -	-	-	-	-	-
40.	▶ TR.40.21.02.	30 32 34	110	85	84.5	-
50.	▶ TR.50.21.02.	30 32 34	110	85	84.5	-
60.	▶ TR.60.21.02.	30 32 34	110	126	126	-
65.	▶ TR.65.21.02.*	30 32 34	110	126	126	-
70.	▶ TR.70.21.02.	30 32 34	110	126	126	-
85.	▶ TR.85.21.02.	30 32 34	110	153	155	-
85. (R 240)	▶ TR.85.240.21.02. 4)	30 32 34	110	153	155	-
100.	▶ TR.100.21.02.	30 32 34	110	153	155	-
125.	▶ -	-	-	-	-	-

Standard clamp for axis 6: ø 30 mm

4) Only for special size TRCF.85.240.0 with 240 degree bend radius

Part No. with desired diameter for the axis 6 clamp | 30 | 32 | 34 | e.g. TR.100.21.30