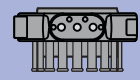


triflex® R | Series TRCF | Product range

Closed design, dirt resistant, quick filling



TRCF

▶ 746

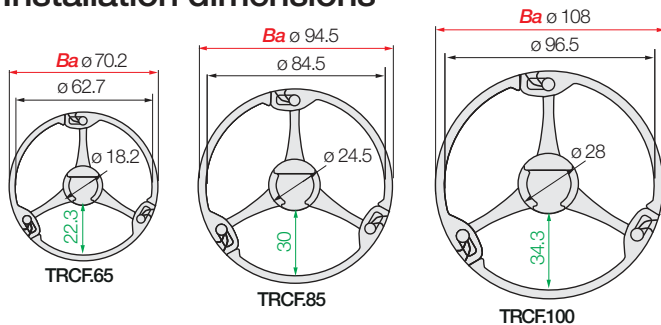


e-tubes | Series TRCF | Fully enclosed design, with snap lock mechanism

| Part No. | <i>Bi1</i> | <i>Ba</i> | <i>R</i> | <i>d1</i> | Pitch | Links/ | TRCF |
|-------------------------------|------------|-----------|----------|-----------|-------|--------|--------|
| e-tubes | [mm] | [mm] | [mm] | [mm] | [mm] | [m] | [kg/m] |
| TRCF. 65 100 .0 | 22.3 | 70.2 | 100 | 20 | 23.1 | 44 | ≈ 1.10 |
| TRCF. 85 135 .0 | 30 | 94.5 | 135 | 28 | 30.6 | 33 | ≈ 2.10 |
| TRCF. 85 240 .0 ¹⁾ | 30 | 94.5 | 240 | 28 | 30.6 | 33 | ≈ 2.10 |
| TRCF. 100 145 .0 | 34.3 | 108 | 145 | 32 | 34.5 | 29 | ≈ 2.70 |

1) Special size Part No. TRCF.85.240.0 with 240 degree bend radius and a range of accessories

Installation dimensions



Snap lock mechanism for fast opening, igus® video online

▶ www.igus.eu/TRLFlip

Special size TRCF.85.240.0 with 240 degree bend radius and a special range of accessories

- For secure guidance of laser light cables on robots
- The large bend radius (*R* 240 mm) increases the service life of the laser light cable by preventing kinking

More information ▶ www.igus.eu/TRCF

