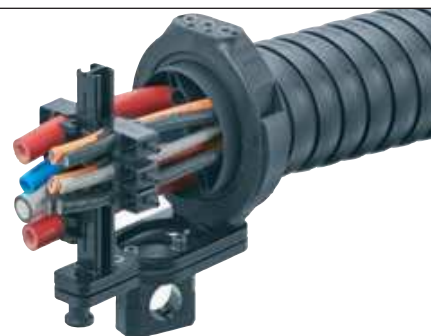
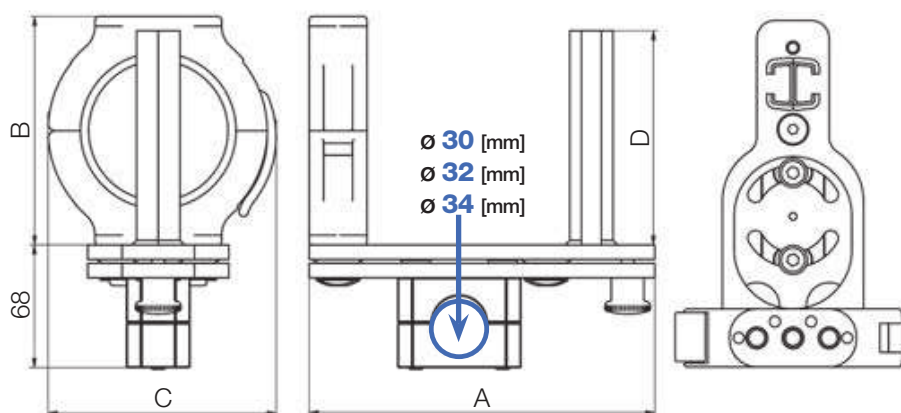


## Quick exchange kit for clamp axis 6

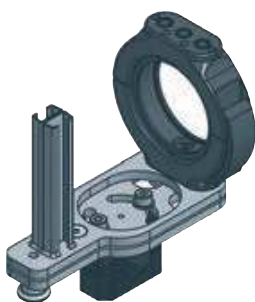
## Quick exchange kit

TR.60.22.XX - TR.100.22.XX



- Exchange in seconds
- No repeat alignment required
- Exchange the triflex® R unit incl. cables without tools
- Option available with strain relief

## Quick exchange kit | For TRC·TRE·TRCF

TR.60.22.XX -  
TR.100.22.XX

Ø Index	Part No. quick-change unit	Clamp Ø [mm]	A [mm]	B [mm]	C [mm]	D [mm]
30.	▶ -	-	-	-	-	-
40.	▶ -	-	-	-	-	-
50.	▶ -	-	-	-	-	-
60.	▶ TR.60.22.	30   32   34	191	126	126	126
65.	▶ TR.65.22.	30   32   34	191	126	126	126
70.	▶ TR.70.22.	30   32   34	191	126	126	126
85.	▶ TR.85.22.	30   32   34	191	153	155	153
85. (R 240)	▶ TR.85.240.22. 4)	30   32   34	191	153	155	153
100.	▶ TR.100.22.	30   32   34	191	153	155	153
125.	▶ -	-	-	-	-	-

Standard clamp for axis 6: ø 30 mm

4) Only for special size TRCF.85.240.0 with 240 degree bend radius

Part No. with desired diameter for the axis 6 clamp | 30 | 32 | 34 | e.g. TR.100.22.30