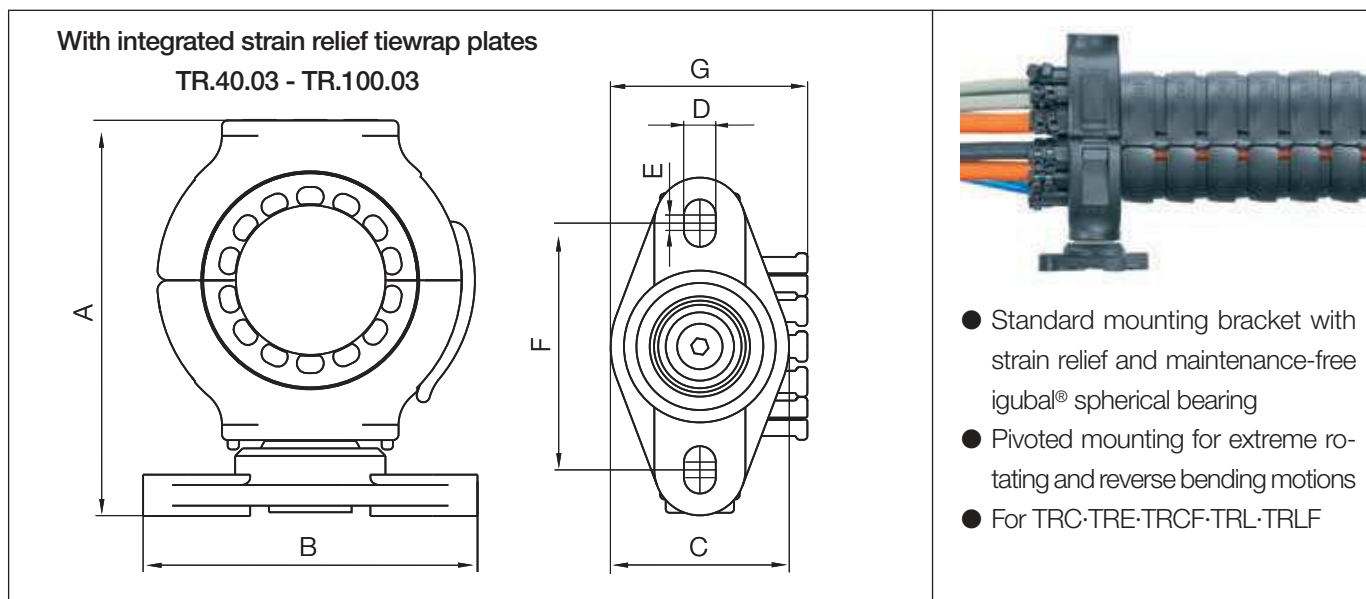


Swivel bearing mounting brackets | With strain relief



Swivel bearing-mounting brackets | With strain relief | For TRC·TRE·TRCF·TRL·TRLF

TR.40.03 -
TR.100.03

Ø	Part No.	A	B	C	D	E	F	G
Index	with strain relief	[mm]	[mm]	[mm]	[mm]	[mm]	[mm]	[mm]
30.	▶ -	-	-	-	-	-	-	-
40.	▶ TR.40.03	105	89	47	8.4	4.1	65	51.8
50.	▶ TR.50.03	105	89	47	8.4	4.1	65	55
60.	▶ TR.60.03	152	118	65	10.5	5.5	87.5	73.5
65.	▶ TR.65.03 ⁵⁾	152	118	65	10.5	5.5	87.5	73.5
70.	▶ TR.70.03	152	118	65	10.5	5.5	87.5	73.5
85.	▶ TR.85.03	179	118	65	10.5	5.5	87.5	88
85. (R 240)	▶ TR.85.240.03 ⁴⁾	179	118	65	10.5	5.5	87.5	88
100.	▶ TR.100.03	179	118	65	10.5	5.5	87.5	88
125.	▶ -	-	-	-	-	-	-	-

4) Only for special size TRCF.85.240.0 with 240 degree bend radius

5) Available upon request. Please consult igus® for delivery time.

Swivel bearing-mounting bracket | **Without strain relief**

Without strain relief
TR.40.04 - TR.100.04

- Standard mounting bracket without strain relief and maintenance-free igubal® spherical bearing
- Pivoted mounting for extreme rotating and reverse bending motions
- For TRC·TRE·TRCF·TRL·TRLF

Swivel bearing mounting brackets | Without strain relief | For TRC·TRE·TRCF·TRL·TRLF



TR.40.04 - TR.100.04

Ø Index	Part No. without strain relief	A [mm]	B [mm]	C [mm]	D [mm]	E [mm]	F [mm]	G [mm]
30.	▶ -	-	-	-	-	-	-	-
40.	▶ TR.40.04	105	89	47	8.4	4.1	65	-
50.	▶ TR.50.04	105	89	47	8.4	4.1	65	-
60.	▶ TR.60.04	152	118	65	10.5	5.5	87.5	-
65.	▶ TR.65.04	152	118	65	10.5	5.5	87.5	-
70.	▶ TR.70.04	152	118	65	10.5	5.5	87.5	-
85.	▶ TR.85.04	179	118	65	10.5	5.5	87.5	-
85. (R 240)	▶ TR.85.240.04 ⁴⁾	179	118	65	10.5	5.5	87.5	-
100.	▶ TR.100.04	179	118	65	10.5	5.5	87.5	-
125.	▶ -	-	-	-	-	-	-	-

4) Only for special size TRCF.85.240.0 with 240 degree bend radius