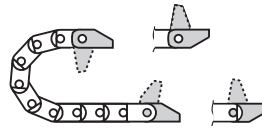




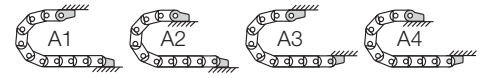
**Polymer, one-piece**

- One-piece mounting bracket
- Corrosion-resistant
- Available preassembled
- Inner and outer attachment possible
- Available with or without integrated strain relief tiwrap plates

Moving end with bore  
(outer link) 060...1(PZ)

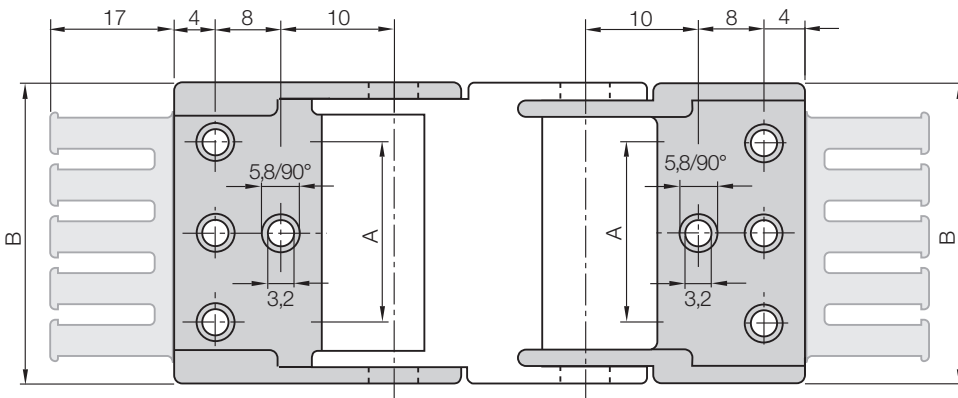


060...2(PZ) Fixed end  
with pin (inner link)



Possible installation conditions for assembled mounting brackets ▶ Order example "preassembled" below

060...1(PZ)  
Moving end



060...2(PZ)  
Fixed end

**Dimensions and order configurations**

Strain relief is possible on the moving end and/or the fixed end.

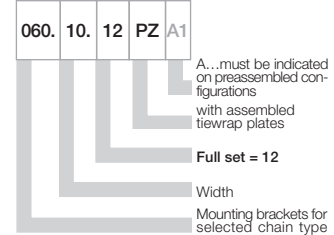
060.10.12 - 060.20.12: center bores only

060.30.12 - 060.50.12: outer bores only

For E-chain®	Part No. full set with tiwrap plate	Part No. full set without tiwrap plate	Number of teeth	Dim. A [mm]	Dim. B [mm]
R07.10. ▶	060.10. 12 PZ	060.10. 12	1	-	16,5
R07.16. ▶	060.16. 12 PZ	060.16. 12	2	-	22,5
R07.20. ▶	060.20. 12 PZ	060.20. 12	2	-	27,0
R07.30. ▶	060.30. 12 PZ	060.30. 12	3	22	37,0
R07.40. ▶	060.40. 12 PZ	060.40. 12	4	32	47,0
R07.50. ▶	060.50. 12 PZ	060.50. 12	5	42	57,0

For the **preassembled** mode please add the index **A1** ... **A4** Example: 060.10. 12 **A1**

**Part No. structure**



Full set, for both ends:

060. 10. 12 PZ +tiwrap plate

Single-part order:

060. 10. 1 PZ +tiwrap plate

Mounting bracket **with bore**

060. 10. 2 PZ +tiwrap plate

Mounting bracket **with pin**

Phone +49- (0) 22 03-96 49-800  
Fax +49- (0) 22 03-96 49-222



**Quicksnap** - the complete, detachable mounting unit, available upon request



**Quickfix** - mounting bracket with dowel, available upon request

**Additional Features**

