

# iglidur® Polymer Bearing with integrated Seal



Polymer plain bearing with incorporated radial sealing

Seal against the rotating shaft

Reduced space requirement and easy, fast installation

Can be manufactured with different types of seal

High-temperature version VDSM available

iglidur® Polymer  
Bearing with integrated  
Seal

Phone +49 - 22 03 - 96 49-145  
Fax +49 - 22 03 - 96 49-334



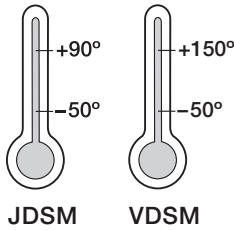


An iglidur® polymer plain bearing with a fitted radial seal against rotating shafts, easy and quick to fit. Seals against dirt, dust and all unpressurized liquids.

iglidur® Polymer Bearing with integrated Seal

2 Materials

Phone +49 - 22 03 - 96 49-145  
Fax +49 - 22 03 - 96 49-334



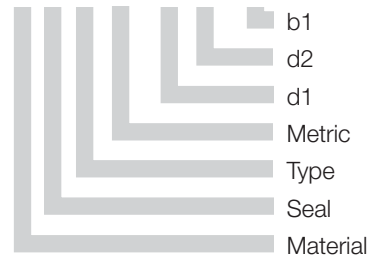
### Special properties:

- Polymer bearing with clipped in radial shaft seal
  - Seals against the rotating shaft
  - Temperature range up to 150 °C
  - Coefficient of friction only 10% higher than iglidur® J
  - Wear data as good as iglidur® J
  - Reduced space requirement and easy, fast installation
  - Can be manufactured with various types of seal
- Other bearing materials on request

Data in mm

Structure – part no.

**J D S M-1015-14**

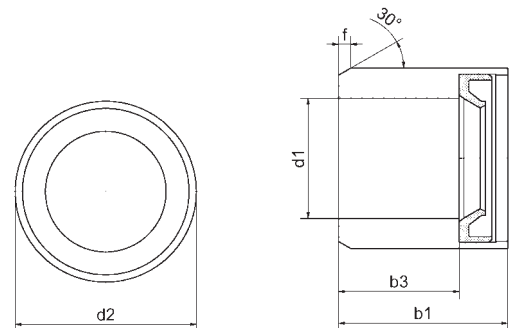


igus® GmbH  
51147 Cologne



Material:  
iglidur® J  
▶ chapter 3  
iglidur® V400  
▶ chapter 21

Internet [www.igus.de](http://www.igus.de)  
E-mail [info@igus.de](mailto:info@igus.de)



### Dimensions [mm]

iglidur® Polymer Bearings with integrated Seal

Part No.	d1	d2	b1	b3	f
	E11	Ø	h13		
JDSM-1015-14	10	15	14	10	1
VDSM-1015-14	10	15	14	10	1