

... Doppelte Leistung ... fast gleicher Preis ...

Higher performance ... almost same price

The most successful plastic bearing in the world – iglidur® G - improved all round: iglidur® G1, the new standard

- Two times longer service life at high loads (diagram 1)
- Up to 4 times lower wear at low loads (diagram 2)
- Long-term service temperature up to +180 °C
- Pressfit up to +120 °C (igliidur® G: up to +80 °C)
- Moisture absorption **reduced by 50%**
- Initially available with 113 different standard dimensions, others at short notice upon request

Typical application areas:

Agricultural machines, construction machinery, machine building, sports and leisure, automotive, mechatronics

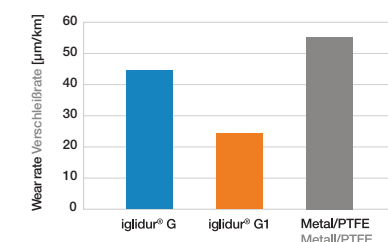
Das erfolgreichste Kunststoffgleitlager der Welt – iglidur® G – rundum verbessert: iglidur® G1 – der neue schmierfreie Standard

- Doppelte Standzeit bei hohen Lasten (Diagramm 1)
- Bis zu 4-fach niedrigerer Verschleiß im Niedriglastbereich (Diagramm 2)
- Dauergebrauchstemperatur bis zu +180 °C
- Presssitz bis +120 °C (igliidur® G: bis +80 °C)
- 50 % reduzierte Feuchtigkeitsaufnahme
- Verfügbar zunächst in 113 Normabmessungen, weitere kurzfristig auf Anfrage

Typische Anwendungsbereiche:

Agrar-, Baumaschinenindustrie, Maschinenbau, Sport und Freizeit, Automobilindustrie, Mechatronik

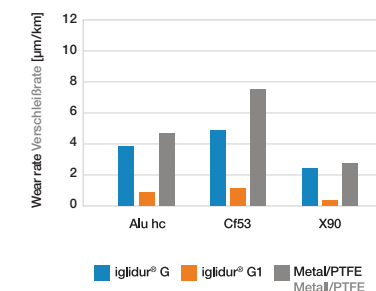
Wear, oscillating: loads 45 MPa, speed 0.01 m/s
Verschleiß, schwenkend: Last 45 MPa, Geschwindigkeit 0,01 m/s



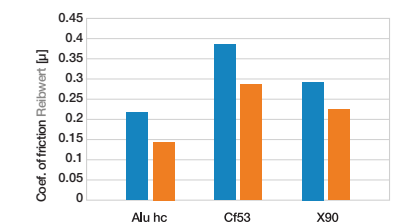
General properties Allgemeine Eigenschaften	
Density Dichte	1.58 g/cm ³
Colour Farbe	dark-grey dunkelgrau
Max. moisture absorption at +23 °C and 50 % r.h. Max. Feuchtigkeitsaufnahme bei +23 °C/50 % r.F.	0.2 % weight Gew.-%
Max. water absorption Max. Wasseraufnahme	1.7 % weight Gew.-%
Electrical properties Elektrische Eigenschaften	
Specific contact resistance Spezifischer Durchgangswiderstand	> 10 ¹² Ωcm
Surface resistance Oberflächenwiderstand	> 10 ¹¹ Ωcm

Mechanical properties Mechanische Eigenschaften	
Shore-D-Hardness Shore D-Härte	81
Recom. surface pressure Max. empf. Flächenpressung	91 MPa
Thermal properties Thermische Eigenschaften	
Max. long-term application temperature Obere langzeitige Anwendungstemperatur	+180 °C
Max. short-term application temperature Obere kurzzeitige Anwendungstemperatur	+220 °C
Min. application temperature Untere Anwendungstemperatur	-40 °C

Wear, oscillating: loads 2 MPa, speed 0.01 m/s
Verschleiß, schwenkend: Last 2 MPa, Geschwindigkeit 0,01 m/s



Coefficient of friction, oscillating: loads 2 MPa, speed 0.01 m/s
Reibwert, schwenkend: Last 2 MPa, Geschwindigkeit 0,01 m/s



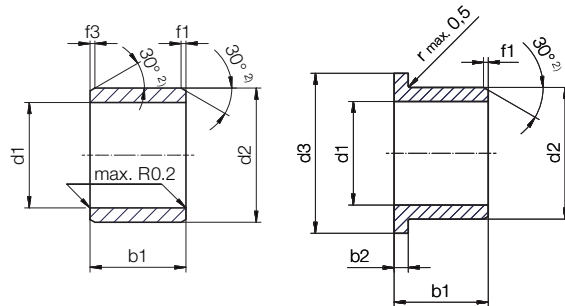
Available Lieferbar from stock ab Lager (3 weeks for initial delivery 3 Wochen für Erstausslieferung)

www.igus.eu/G1
www.igus.de/G1

... sleeve Form S ...



i Dimensions according to Abmessungen nach ISO 3547-1



Chamfer in relation to d1
Fase in Abhängigkeit von d1

d1 [mm]:	Ø 1-6	Ø 6-12	Ø 12-30	Ø > 30
f [mm]:	0.3	0.5	0.8	1.2

²⁾ Thickness < 1 mm: Chamfer = 20°
Bei Wanddicke < 1 mm: Fase = 20°

Dimensions Abmessungen [mm] – Form S

d1*	d2	b1 h13	Part No. Art.-Nr.
4.0	5.5	4.0	G1SM-0405-04
4.0	5.5	6.0	G1SM-0405-06
5.0	7.0	5.0	G1SM-0507-05
5.0	7.0	10.0	G1SM-0507-10
6.0	8.0	6.0	G1SM-0608-06
6.0	8.0	8.0	G1SM-0608-08
6.0	8.0	10.0	G1SM-0608-10
8.0	10.0	8.0	G1SM-0810-08
8.0	10.0	10.0	G1SM-0810-10
8.0	10.0	12.0	G1SM-0810-12
10.0	12.0	8.0	G1SM-1012-08
10.0	12.0	10.0	G1SM-1012-10
10.0	12.0	12.0	G1SM-1012-12
10.0	12.0	15.0	G1SM-1012-15
10.0	12.0	20.0	G1SM-1012-20
12.0	14.0	10.0	G1SM-1214-10
12.0	14.0	12.0	G1SM-1214-12
12.0	14.0	15.0	G1SM-1214-15
12.0	14.0	20.0	G1SM-1214-20
13.0	15.0	10.0	G1SM-1315-10
13.0	15.0	20.0	G1SM-1315-20
14.0	16.0	15.0	G1SM-1416-15
14.0	16.0	20.0	G1SM-1416-20
14.0	16.0	25.0	G1SM-1416-25

d1	d2	b1 h13	Part No. Art.-Nr.
15.0	17.0	15.0	G1SM-1517-15
15.0	17.0	20.0	G1SM-1517-20
15.0	17.0	25.0	G1SM-1517-25
16.0	18.0	15.0	G1SM-1618-15
16.0	18.0	20.0	G1SM-1618-20
16.0	18.0	25.0	G1SM-1618-25
18.0	20.0	15.0	G1SM-1820-15
18.0	20.0	20.0	G1SM-1820-20
18.0	20.0	25.0	G1SM-1820-25
20.0	23.0	10.0	G1SM-2023-10
20.0	23.0	15.0	G1SM-2023-15
20.0	23.0	20.0	G1SM-2023-20
20.0	23.0	25.0	G1SM-2023-25
20.0	23.0	30.0	G1SM-2023-30
22.0	25.0	15.0	G1SM-2225-15
22.0	25.0	20.0	G1SM-2225-20
22.0	25.0	25.0	G1SM-2225-25
22.0	25.0	30.0	G1SM-2225-30
24.0	27.0	15.0	G1SM-2427-15
24.0	27.0	20.0	G1SM-2427-20
24.0	27.0	25.0	G1SM-2427-25
24.0	27.0	30.0	G1SM-2427-30
25.0	28.0	15.0	G1SM-2528-15
25.0	28.0	20.0	G1SM-2528-20

... mit Flansch Form F ... with flange Form F.

Dimensions Abmessungen [mm] – Form S

d1*	d2	b1 h13	Part No. Art.-Nr.
25.0	28.0	25.0	G1SM-2528-25
25.0	28.0	30.0	G1SM-2528-30
28.0	32.0	20.0	G1SM-2832-20
28.0	32.0	25.0	G1SM-2832-25
28.0	32.0	30.0	G1SM-2832-30
30.0	34.0	20.0	G1SM-3034-20
30.0	34.0	25.0	G1SM-3034-25
30.0	34.0	30.0	G1SM-3034-30
30.0	34.0	40.0	G1SM-3034-40
32.0	36.0	20.0	G1SM-3236-20
32.0	36.0	30.0	G1SM-3236-30
32.0	36.0	40.0	G1SM-3236-40
35.0	39.0	20.0	G1SM-3539-20
35.0	39.0	30.0	G1SM-3539-30
35.0	39.0	40.0	G1SM-3539-40
35.0	39.0	50.0	G1SM-3539-50
40.0	44.0	20.0	G1SM-4044-20
40.0	44.0	30.0	G1SM-4044-30
40.0	44.0	40.0	G1SM-4044-40
40.0	44.0	50.0	G1SM-4044-50
45.0	50.0	20.0	G1SM-4550-20
45.0	50.0	30.0	G1SM-4550-30
45.0	50.0	40.0	G1SM-4550-40
45.0	50.0	50.0	G1SM-4550-50
50.0	55.0	20.0	G1SM-5055-20
50.0	55.0	30.0	G1SM-5055-30
50.0	55.0	40.0	G1SM-5055-40
50.0	55.0	50.0	G1SM-5055-50
50.0	55.0	60.0	G1SM-5055-60

Dimensions Abmessungen [mm] – Form F

d1*	d2	d3	b1 h13	b2	Part No. Art.-Nr.
6.0	8.0	12.0	4.0	1.0	G1FM-0608-04
6.0	8.0	12.0	8.0	1.0	G1FM-0608-08
8.0	10.0	15.0	5.5	1.0	G1FM-0810-05
8.0	10.0	15.0	7.5	1.0	G1FM-0810-07
8.0	10.0	15.0	9.5	1.0	G1FM-0810-09
10.0	12.0	18.0	7.0	1.0	G1FM-1012-07
10.0	12.0	18.0	9.0	1.0	G1FM-1012-09
10.0	12.0	18.0	12.0	1.0	G1FM-1012-12
10.0	12.0	18.0	17.0	1.0	G1FM-1012-17
12.0	14.0	20.0	7.0	1.0	G1FM-1214-07
12.0	14.0	20.0	9.0	1.0	G1FM-1214-09
12.0	14.0	20.0	12.0	1.0	G1FM-1214-12
12.0	14.0	20.0	17.0	1.0	G1FM-1214-17
14.0	16.0	22.0	12.0	1.0	G1FM-1416-12
14.0	16.0	22.0	17.0	1.0	G1FM-1416-17
15.0	17.0	23.0	9.0	1.0	G1FM-1517-09
15.0	17.0	23.0	12.0	1.0	G1FM-1517-12
15.0	17.0	23.0	17.0	1.0	G1FM-1517-17
16.0	18.0	24.0	12.0	1.0	G1FM-1618-12
16.0	18.0	24.0	17.0	1.0	G1FM-1618-17
18.0	20.0	26.0	12.0	1.0	G1FM-1820-12
18.0	20.0	26.0	17.0	1.0	G1FM-1820-17
18.0	20.0	26.0	22.0	1.0	G1FM-1820-22
20.0	23.0	30.0	11.5	1.5	G1FM-2023-11
20.0	23.0	30.0	16.5	1.5	G1FM-2023-16
20.0	23.0	30.0	21.5	1.5	G1FM-2023-21
25.0	28.0	35.0	11.5	1.5	G1FM-2528-11
25.0	28.0	35.0	16.5	1.5	G1FM-2528-16
25.0	28.0	35.0	21.5	1.5	G1FM-2528-21
30.0	34.0	42.0	16.0	2.0	G1FM-3034-16
30.0	34.0	42.0	26.0	2.0	G1FM-3034-26
35.0	39.0	47.0	16.0	2.0	G1FM-3539-16
35.0	39.0	47.0	26.0	2.0	G1FM-3539-26
40.0	44.0	52.0	30.0	2.0	G1FM-4044-30
40.0	44.0	52.0	40.0	2.0	G1FM-4044-40
45.0	50.0	58.0	50.0	2.0	G1FM-4550-50

Calculate online Online berechenbar
www.igus.eu/iglidur-experte
www.igus.de/iglidur-expert

Available Lieferbar
from stock ab Lager
 (3 weeks for initial delivery
 3 Wochen für Erstauslieferung)

www.igus.eu/G1
www.igus.de/G1

* After pressfit of the bearing in a housing with nominal dimension, the inner diameter of the bearing adjusts itself to a F10 tolerance. Nach dem Einbau der Lager in eine Aufnahme mit Nennmaß stellt sich der Innendurchmesser der Lager mit F10-Toleranz ein.