

## iglidur® MKM – Double Flange Bearing: press in, fold down, finished



Pressfit

Axial load on both sides possible

Compensation of tolerances of the sheet metal

Easy assembly

Axial pre-tension

iglidur® MKM

Phone +49 - 22 03 - 96 49-145  
Fax +49 - 22 03 - 96 49-334





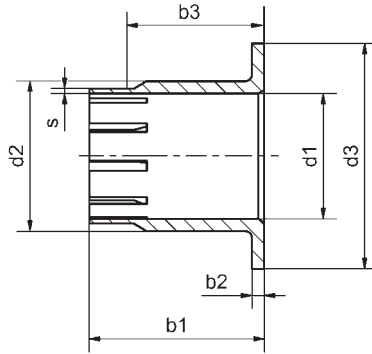
Bearing with flanges on both ends. Easy installation by pressing in and turning down the "second flange" in one step

iglidur® MKM

Phone +49 - 22 03 - 96 49-145  
Fax +49 - 22 03 - 96 49-334

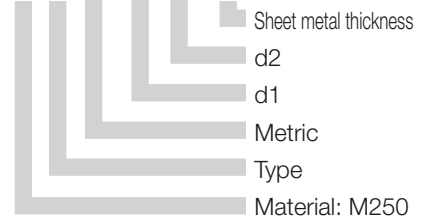
iglus® GmbH  
51147 Cologne

Internet [www.igus.de](http://www.igus.de)  
E-mail [info@igus.de](mailto:info@igus.de)



Data in mm

Structure – part no.  
**MK M-1012-10**



### Special properties:

- Pressfit
- Axial load on both sides possible
- Compensation of tolerances of the sheet metal
- Easy assembly
- Axial pre-tension



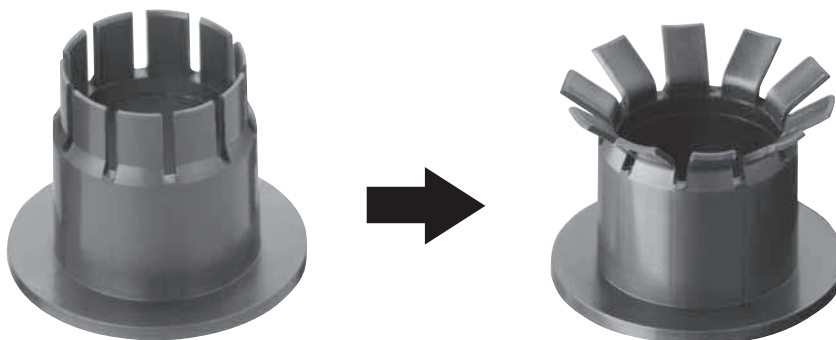
### Material

iglidur® M250  
▶ chapter 4

### Dimensions [mm]

iglidur® MKM

Part No.	d1 [mm]	d2 [mm]	d3 [mm]	b1 [mm]	b2 -0,14	b3 ±0,5 [mm]	s ±0,1 [mm]
MKM-1012-10	10	12	18	14	1	10	0,4



Press in, fold down, finished: flange on both sides



We welcome your request for a pre-tensioned bearing customised for your application.  
Phone +49 - 22 03 - 96 49-145

Lifetime calculation, CAD files and much more support ▶ [www.igus.de/en](http://www.igus.de/en)