



KA..M

mm

Rod End Bearings

Phone +49 - 22 03 - 96 49-145
 Fax +49 - 22 03 - 96 49-334

igus® GmbH
 51147 Cologne

Internet www.igus.de
 E-mail info@igus.de



Standard design

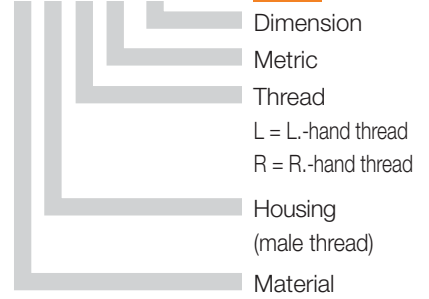


Design with metal sleeve (MH)

Data in mm

Structure – part no.

K A ... M-05



igubal® – Rod End Bearings:

- Maintenance-free, self-lubricating
- High strength under impact loads
- Very high tensile strength for varying loads
- Compensation for alignment errors
- Compensation for edge loads
- Resistant to dirt, dust and lint
- Resistant to corrosion and chemicals
- High vibration dampening capacity
- Suitable for rotating, oscillating, and linear movements
- Light weight
- Dimensional series K according to standard DIN ISO 12240
- Available with metal sleeve to take a higher torque



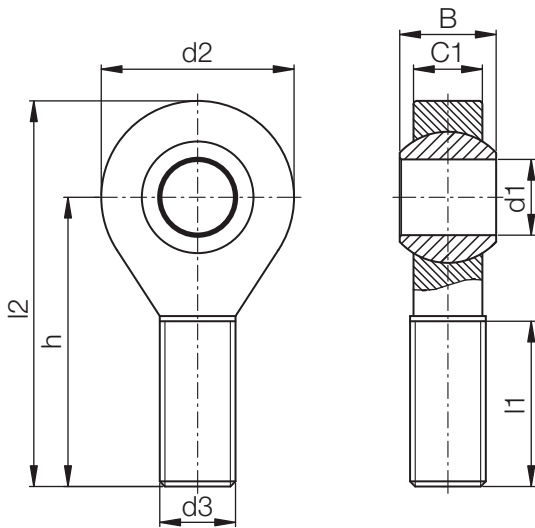
Material

Housing: igumid G
 ► Page 70.6
 Spherical Bearing: iglidur® W300
 ► Chapter 5

Load Data

igubal® – Rod End Bearings KARM / KALM

Part Number		Max. static tensile strength		Max. radial load		Min. thread depth	Max. torque strength		Max. torque through ball	
R.-hand thread	L.-hand thread	Short term [N]	Long term [N]	Short term [N]	Long term [N]	[mm]	outside [Nm]	Thread [Nm]	Standard [Nm]	MH [Nm]
KARM-05	KALM-05	800	400	80	40	13	0,4		5	12
KARM-06	KALM-06	1000	500	100	50	15	0,5		10	15
KARM-08	KALM-08	1700	850	200	100	18	2,0		12	40
KARM-10	KALM-10	2500	1250	300	150	20	5,0		20	50
KARM-10 F	KALM-10 F	2500	1250	300	150	20	3,0		20	50
KARM-12	KALM-12	2700	1350	400	200	22	6,0		30	70
KARM-12 F	KALM-12 F	2700	1350	400	200	22	6,0		30	70
KARM-14	KALM-14	3400	1700	700	350	25	12,0		35	75
KARM-16	KALM-16	3900	1950	800	400	26	17,0		40	110
KARM-16 F	KALM-16 F	3900	1950	800	400	26	17,0		40	110
KARM-18	KALM-18	4200	2100	1000	500	29	20,0		45	150
KARM-20	KALM-20	6000	3000	1300	650	32	25,0		55	200
KARM-20 M20	KALM-20 M20	6000	3000	1300	650	32	25,0		55	200
KARM-22	KALM-22	7200	3600	1500	750	34	25,0		60	–
KARM-25	KALM-25	7500	3750	1900	950	39	45,0		65	–
KARM-30	KALM-30	8800	4400	2300	1150	46	85,0		70	–



Rod End Bearings
mm
KA..M

Phone +49 - 22 03 - 96 49-145
Fax +49 - 22 03 - 96 49-334

Dimensions [mm]

igubal® – Rod End Bearings KARM / KALM

Part Number		d1 E10	d2	d3	C1	B	h	l1	l2	Max. pivot angle
R.-hand thread	L.-hand thread									
KARM-05	KALM-05	5	18	M05	6,0	8,0	33	19	42	30°
KARM-06	KALM-06	6	20	M06	7,0	9,0	36	21	46	29°
KARM-08	KALM-08	8	24	M08	9,0	12,0	42	25	55	25°
KARM-10	KALM-10	10	30	M10	10,5	14,0	48	28	63	25°
KARM-10 F	KALM-10 F	10	30	M10 x 1,25	10,5	14,0	48	28	63	25°
KARM-12	KALM-12	12	34	M12	12,0	16,0	54	32	71	25°
KARM-12 F	KALM-12 F	12	34	M12 x 1,25	12,0	16,0	54	32	71	25°
KARM-14	KALM-14	14	38	M14	13,5	19,0	61	36	79	25°
KARM-16	KALM-16	16	42	M16	15,0	21,0	66	37	88	23°
KARM-16 F	KALM-16 F	16	42	M16 x 1,5	15,0	21,0	66	37	88	23°
KARM-18	KALM-18	18	46	M18 x 1,5	16,5	23,0	72	41	96	23°
KARM-20	KALM-20	20	50	M20 x 1,5	18,0	25,0	78	45	104	23°
KARM-20 M20	KALM-20 M20	20	50	M20 x 2,5	18,0	25,0	78	45	104	23°
KARM-22	KALM-22	22	56	M22 x 1,5	20,0	28,0	84	48	112	22°
KARM-25	KALM-25	25	61	M24 x 2,0	22,0	31,0	95	55	126	22°
KARM-30	KALM-30	30	71	M30 x 2,0	25,0	37,0	112	66	147	22°

Rod end bearings can be ordered in metric dimensions **with metal insert** with the addition of **MH** after the part numbers listed here, for example: KBRM-10 **MH** (inner diameter: +0,15 mm).

Available for delivery

