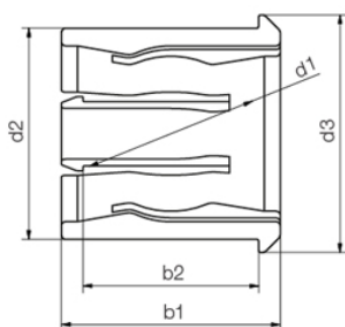


Ball stud clip bearing: ZCLM



Quick and easy to install - the self-aligning igubal® spherical bearings for easy clipping into sheet metal

- Connection for rotating and pivoting movements
- Very easy to assemble
- Absolute corrosion resistance
- Lubrication and maintenance-free
- Very low weight
- Resistant to chemicals
- Ball studs made from galvanised steel and stainless steel



Product range:

Part No.:

Request/Order

On request

Pc.

[Add to shopping basket](#)

Online Services:



Order number	d1	d2	d3	b1	b2	
ZCLM-06-10	10	12	13,5	12,5	10	Upon request
ZCLM-06-10-MS	10	12	13,5	12,5	10	Upon request