



EGFM

mm

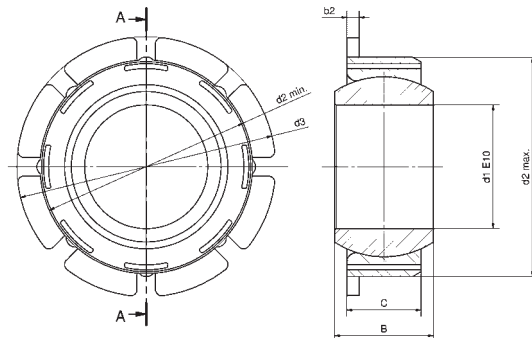
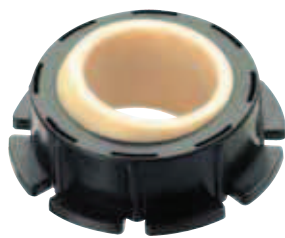
Pivoting Bearings

Phone +49 - 22 03 - 96 49-145
Fax +49 - 22 03 - 96 49-334

igus® GmbH
51147 Cologne

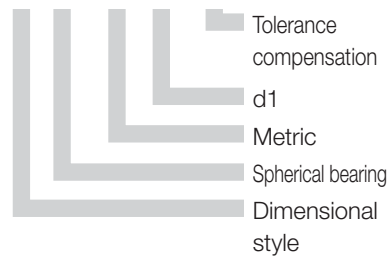
Internet www.igus.de
E-mail info@igus.de

55.8



Data in mm

Structure – part no.
E GFM- 08 T



Special Properties

- Maintenance-free, dry-running
- Easy to fit
- Can compensate for a housing tolerance of $\pm 0,2$ mm



Material

Housing: igumid G

► Page 70.6

Spherical Bearing:

iglidur® W300

► Chapter 5

Dimensions [mm] – igubal® Pivoting Bearing EGFM

Part Number	d1	d2	d2	d3	C	B	b2	Housing Min.	Housing Max.	Max. Pivot Angle
	[mm]	Min. [mm]	Max. [mm]	[mm]	[mm]	[mm]	[mm]			
EGFM-08 T SL*	8 (H10)	15,8	16,5	18	5,0	6	1,1	15,8	16,2	11°
EGFM-10 T	10 (E10)	20,8	21,6	26	6,0	9	1,0	20,8	21,2	24°
EGFM-12 T	12 (E10)	22,8	23,6	28	7,0	10	1,0	22,8	23,2	21°
EGFM-16 T	16 (E10)	29,8	30,6	35	9,5	13	1,5	29,8	30,2	21°
EGFM-20 T	20 (E10)	34,8	35,6	42	12,0	16	2,0	34,8	35,2	18°
EGFM-25 T	25 (E10)	41,8	42,6	50	16,0	20	2,0	41,8	42,2	16°
EGFM-30 T	30 (E10)	46,8	47,6	55	18,0	22	2,0	46,8	47,2	13°

* spherical ball from iglidur® J

Load Data – igubal® Pivoting Bearing EGFM

Part Number	Maximum static Compression Force (Short term)		Maximum static Compression Force (Long term)	
	radial	axial	radial	axial
	[N]	[N]	[N]	[N]
EGFM-08 T SL	1100	150	550	75
EGFM-10 T	1900	220	950	110
EGFM-12 T	2500	270	1250	135
EGFM-16 T	6000	600	3000	300
EGFM-20 T	9000	800	4500	400
EGFM-25 T	14000	2800	7000	1400
EGFM-30 T	17000	3000	8500	1500

Spherical bearing material to choose ► Page 57.3



REM:
Low Cost



JEM: Low moisture absorption



UWEM: for under water applications



J4VEM: Clearance-free spherical ball
► Page 57.6