



igus®

igubal® EGXM | Double Joint | mm

EGXM

mm

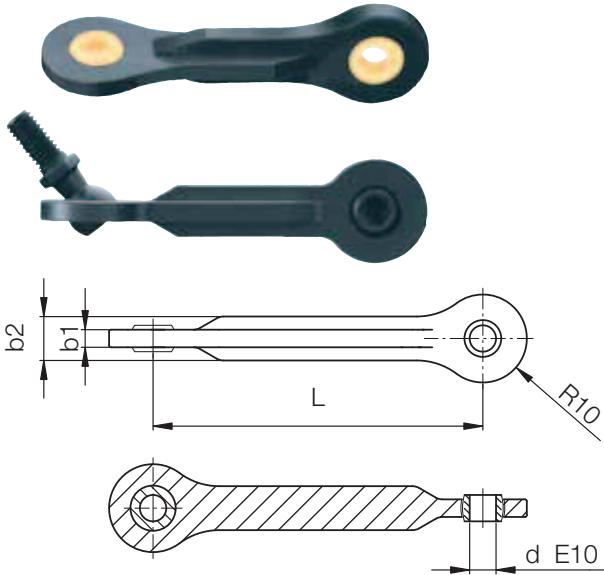
Double Joints

Phone +49 - 22 03 - 96 49-145  
Fax +49 - 22 03 - 96 49-334

igus® GmbH  
51147 Cologne

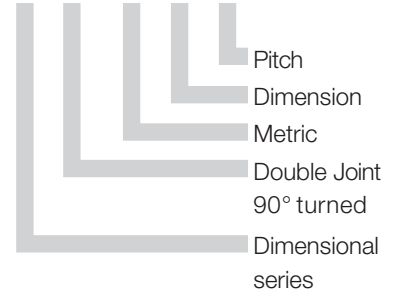
Internet www.igus.de  
E-mail info@igus.de

55.10



Data in mm

Structure - part no.  
E GX M-06-75



### Special properties:

- Double joint, 90° turned
- Easy assembling
- Custom-design, with or without ball stud
- Maintenance-free iglidur® W300 spherical ball

Special lengths are usually possible, please contact us



### Material

Housing: igumid G

▶ Page 70.6

Spherical Bearing:

igidur® W300

▶ Chapter 5

### Load Data

igubal® - Double Joint EGXM

Part Number	Maximum Permitted Tensile Force		Maximum Permitted Compressive Force	
	Short term [N]	Long term [N]	Short term [N]	Long term [N]
EGXM-06-75	1100	550	1600	800

### Dimensions [mm]

igubal® - Double Joint EGXM

Part Number	Ø Spherical Ball	Centre Distance	Head Thickness	Housing Size
	d	L	b1	b2
EGXM-06-75	6	75	4	10

Further combinations:

EGXM-06-75 ZM (with metal ball stud)

EGXM-06-75 ZK (with plastic ball stud)

EGXM-06-75 EK (with stainless steel ball)

Available from stock

Lifetime calculation, CAD files and much more support ▶ [www.igus.de/en/egxm](http://www.igus.de/en/egxm)