



igus®

igubal® J4VEM | Spherical Bearings | mm

igubal® Spherical Bearings

J4VEM

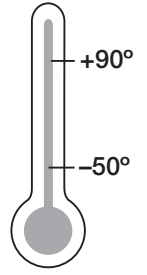
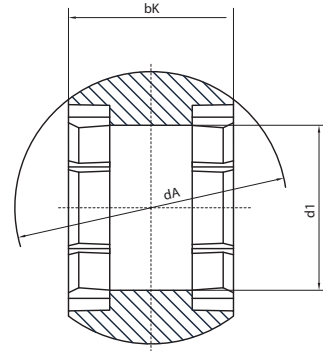
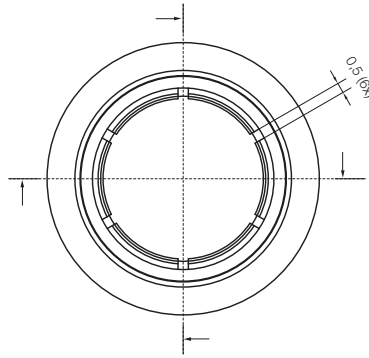
mm

Phone +49 - 22 03 - 96 49-145
Fax +49 - 22 03 - 96 49-334

igus® GmbH
51147 Cologne

Internet www.igus.de
E-mail info@igus.de

57.6



5 Sizes available: Ø 8, 10, 12, 20 mm

combinable with:

- igubal® Rod End Bearing EA(L)RM ▶ Page 51.12
- igubal® Rod End Bearing EB(L)RM ▶ Page 51.14
- igubal® Pillow Block Bearing ESTM ▶ Page 53.7
- igubal® Flange Bearing EFOM ▶ Page 54.4
- igubal® Flange Bearing EFSM ▶ Page 54.6
- igubal® Pivoting Bearing EGFM ▶ Page 55.8
- igubal® Pivoting Bearing EGLM ▶ Page 55.3
- igubal® Double Joint EGZM ▶ Page 55.9

Data in mm

Structure - part no.
J4VEM-10-09



- Width
- d1
- Metric
- E series
- "Preloaded"
- Material

Special Properties

- Can be combined with all housings from design range E
- Sizes 8 to 20 mm
- Pre-loaded
- Totally free from clearance, even in unloaded state
- Material: iglidur® J4
 - ▶ Page 70.7

Dimensions [mm]

Clearance-free Spherical Bearing

Part Number	d1 E10	dK	B
J4VEM-08-08	8,00	13,20	8,00
J4VEM-10-09	10,00	16,10	9,00
J4VEM-12-10	12,00	18,10	10,00
J4VEM-16-13	16,00	24,10	13,00
J4VEM-20-16	20,00	29,10	16,00