



# igubal® R...M | Spherical Bearings | mm

Low Cost – iglidur® R; low friction values

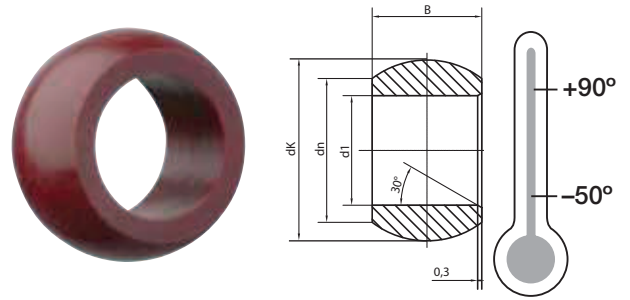
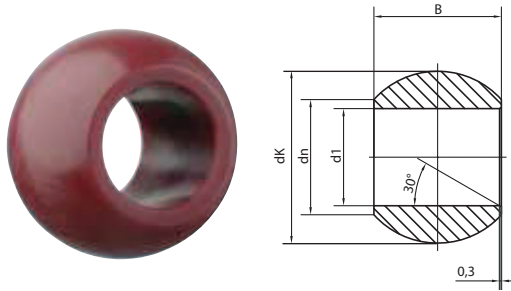
igubal® Spherical Bearings

mm R...M/X...M

Phone +49 - 22 03 - 96 49-145  
Fax +49 - 22 03 - 96 49-334

igus® GmbH  
51147 Cologne

Internet [www.igus.de](http://www.igus.de)  
E-mail [info@igus.de](mailto:info@igus.de)



## Dimensions [mm]

igubal® Spherical Bearings RKM

Part Number	d1 E10	dn	dK	B
RKM-10-14	10,00	12,90	19,00	14,00

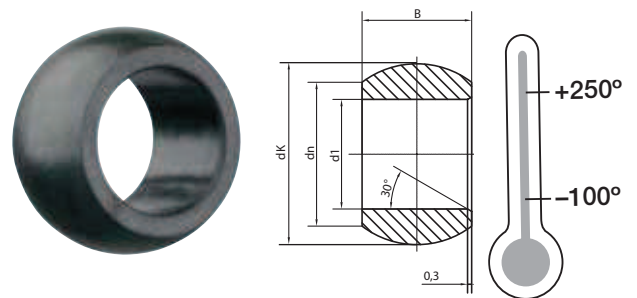
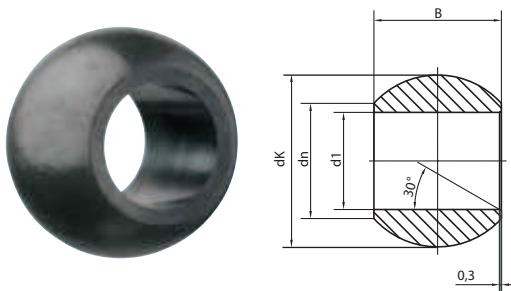
## Dimensions [mm]

igubal® Spherical Bearings REM

Part Number	d1 E10	dn	dK	B
REM-05-06	5,00	8,00	10,20	6,00
REM-06-06	6,00	8,00	10,20	6,00
REM-08-08	8,00	10,00	13,20	8,00
REM-10-09	10,00	13,00	16,10	9,00
REM-12-10	12,00	15,00	18,10	10,00

# igubal® X...M | Spherical Bearings | mm

High Temperatures – iglidur® X; resistant to chemicals



## Dimensions [mm]

igubal® Spherical Bearings XKM

Part Number	d1 E10	dn	dK	B
XKM-10-04	10,00	12,90	19,10	14,00

## Dimensions [mm]

igubal® Spherical Bearings XEM

Part Number	d1 E10	dn	dK	B
XEM-05-06	5,00	8,00	10,30	6,00
XEM-06-06	6,00	8,00	10,20	6,00
XEM-08-08	8,00	10,00	10,30	8,00
XEM-10-09	10,00	13,00	16,10	9,00
XEM-12-10	12,00	15,00	18,10	10,00