

Adapter for pillow block bearings of series E

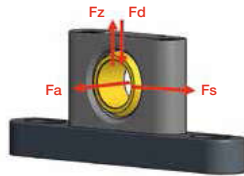
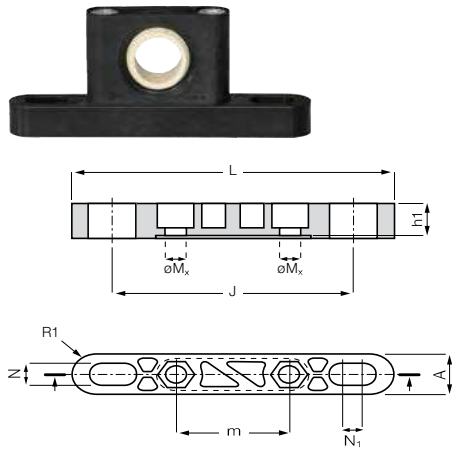


Order key

Type Size

AD-01- E ST M - 20

Adapter	Dimensional series E	Pillow block bearing	Metric	Inner-Ø [mm]
---------	----------------------	----------------------	--------	--------------



- Same dimensions as metal pillow blocks
- Light weight
- For pillow block bearings of series E (ESTM, ESTM-GT)
- Corrosion- and chemical-resistant
- Fits directly
- Space-saving
- Same screws as traditional metallic versions

Technical data

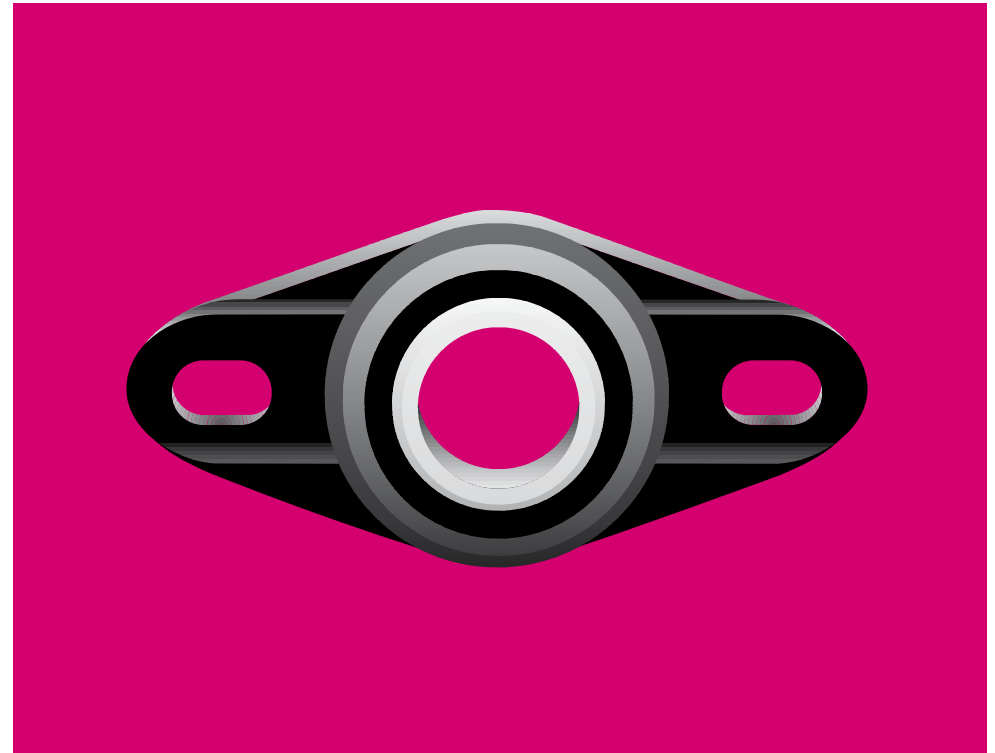
Part No.	Max. radial tensile strength [Fz]		Max. radial compressive strength [Fd]		lateral strength [Fs]		Max. axial strength [Fa] (Tension/pression)		Weight [g]
	Short term	Long term	Short term	Long term	Short term	Long term	Short term	Long term	
	[N]	[N]	[N]	[N]	[N]	[N]	[N]	[N]	
AD-01-ESTM-20 ²⁶⁾	2,400	1,200	10,000	5,000	3,000	1,500	1,200	600	29.8
AD-01-ESTM-25 ²⁷⁾	2,400	1,200	10,000	5,000	3,000	1,500	1,200	600	74.0
AD-01-ESTM-30 ²⁷⁾	2,400	1,200	10,000	5,000	3,000	1,500	1,200	600	124.0

Dimension [mm]

Part No.	for ESTM-...	d1	L	A	R1	J	h1	N	N1	m	Mx
AD-01-ESTM-20 ²⁶⁾	ESTM-20	20	130	20	10.0	97	14.0	11	8	46	M8
AD-01-ESTM-25 ²⁷⁾	ESTM-25	25	130	20	10.0	102	12.5	11	9	54	M8
AD-01-ESTM-30 ²⁷⁾	ESTM-30	30	158	25	12.5	118	14.9	14	10	64	M10

²⁶⁾ Material: plastic

²⁷⁾ Material: aluminium



igubal® flange bearings

- Maintenance free, dry-running
- High tensile strength
- High endurance strength
- Compensation of alignment errors
- Compensation of edge loads
- Light weight