

# xiros® Pillow Block Bearings | Product Range

## xiros® ESTM-pillow block bearing – pivoting



Made of xirodur® B180  
and igumid G  
RN56, PA cage  
glass balls



+80 °C  
-40 °C



Made of xirodur® B180  
and igumid G  
RN56, PA cage  
stainless steel balls



+80 °C  
-40 °C

Besides the rigid option, the pivoting option enables the compensation of misalignments.



## Order key

### ESTM-BB1-P08-B180-ES



#### Ball material

ES = stainless steel

GL = glass

#### Temperature resistance

xirodur® B180 = up to +80 °C

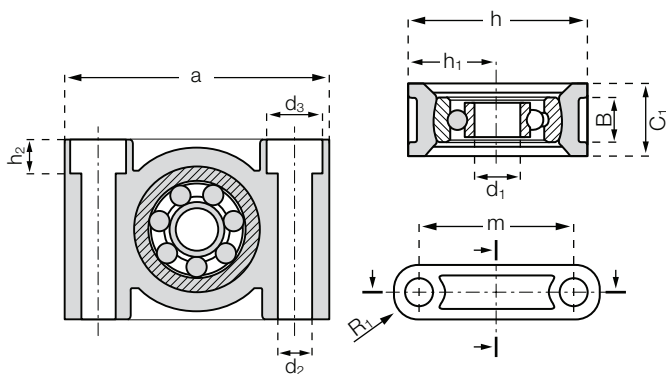
xirodur® A500 = up to +120 °C

#### Inner-Ø

#### Pivoting

#### Ball bearing, single-row

#### Pillow block bearing



## Dimensions [mm]

Part number*	Inner-Ø d1	Bore-Ø d2	d3	h	h1	h2	a	m	C1	B	R1	Max. pivoting angle
ESTM-BB1-P08-B180-ES*	8	6.6	10.6	34	17	6.4	50	37	13	7	6.5	±5°
ESTM-BB1-P10-B180-ES*	10	9.0	14.0	40	20	8.6	62	46	16	8	8	±5°
ESTM-BB1-P12-B180-ES*	12	9.0	14.0	48	24	8.6	72	54	18	10	9	±5°
ESTM-BB1-P08-B180-GL*	8	6.6	10.6	34	17	6.4	50	37	13	7	6.5	±5°
ESTM-BB1-P10-B180-GL*	10	9.0	14.0	40	20	8.6	62	46	16	8	8	±5°
ESTM-BB1-P12-B180-GL*	12	9.0	14.0	48	24	8.6	72	54	18	10	9	±5°

## Technical Data

Part number*	Max. static bearing load axial [N]	Static bearing load [N]	Dynamic bearing load [N]	Max. speed [rpm]	Weight [g]
ESTM-BB1-P08-B180-ES*	165	60	84	2,200	19.6
ESTM-BB1-P10-B180-ES*	285	85	119	1,900	32.9
ESTM-BB1-P12-B180-ES*	315	105	147	1,750	54.8
ESTM-BB1-P08-B180-GL*	165	60	84	2,200	18.2
ESTM-BB1-P10-B180-GL*	285	85	119	1,900	30.3
ESTM-BB1-P12-B180-GL*	315	105	147	1,750	52.8

\* Temperatures up to +120 °C: ESTM-BB1-...-A500-... on request



delivery from stock  
time



prices price list online

www.igus.eu/eu/ESTM-BB1-P