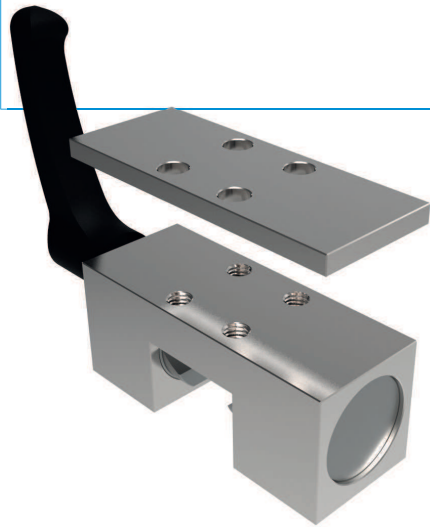


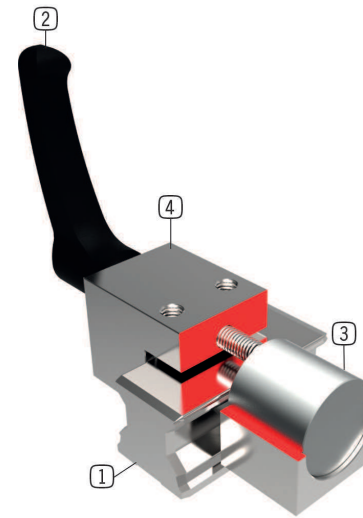
# CLAMPING ELEMENTS SERIES HK

## ▶ PRODUCT ADVANTAGES



- ▶ **broad range of products**  
For all common profile rail guides
- ▶ **Tool-free opening and closing (bi-stable)**  
By turning the clamping lever
- ▶ **Maintenance free**  
Up to 50,000 static clamping cycles

## ▶ TECHNICAL DETAILS



- ① **Profile rail guide**  
- Available for all common profile rail guides
- ② **Clamping lever made from plastic**  
- Freely adjustable (detach by lifting)
- ③ **Clamping jaw**  
- The floating bearings guarantee symmetrical application of force
- ④ **housing**  
- chemically nickel plated steel

## ▶ INFORMATION ON THE PRODUCTS

### APPLICATION SCENARIOS

- ▶ **Table traverses and carriages**
- ▶ **Adjustment of width and stops**
- ▶ **Positioning of optic instruments and measuring tables**

### FURTHER INFORMATION

- ▶ **Adapter plate**  
In addition, an adapter plate might have to be ordered as height compensation depending on the height of the runner block (dimension D).
- ▶ **Special variants on request, e.g.**  
Operation using DIN 912 Allen screws  
Extended clamping lever  
made of stainless steel

## ▶ INFORMATION ON THE SERIES

### TECHNICAL DATA

Rail size	12-100 mm
Holding force	1200-2000
Fastening torque clamp lever	4-22
Spring-loaded energy storage	inexistent
Clamping cycles	up to 50000
Braking cycles	not suitable
Operation	manual



### ▶ Technical Information

All information just a click away at: [www.zimmer-group.de](http://www.zimmer-group.de)  
Find data, illustrations, 3D models and operating instructions for your installation size using the order number for your desired product.  
Quick, clear and always current.