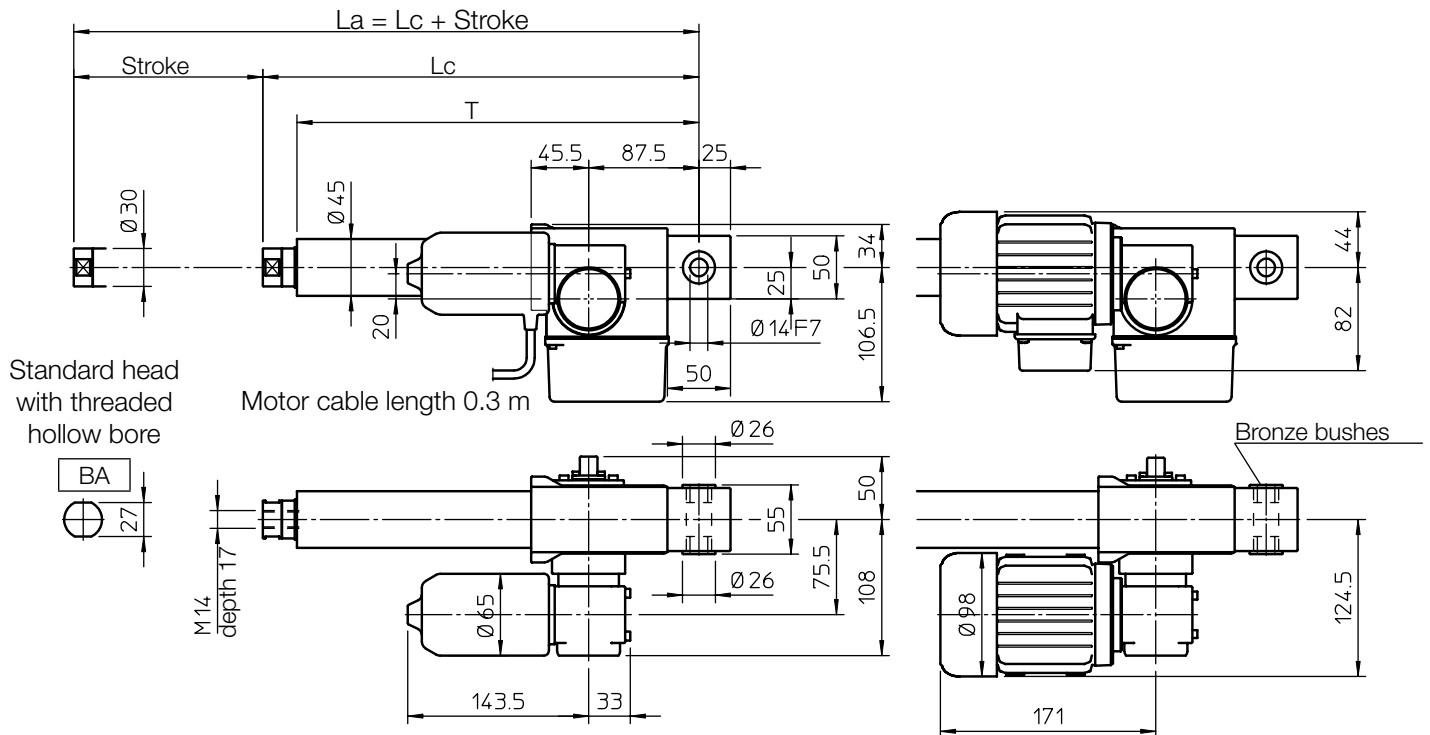


OVERALL DIMENSIONS



Length [mm]	
Lc [mm]	230 + Stroke
T [mm]	191 + Stroke

PERFORMANCES AND FEATURES

- Pull-Push load up to 10 000 N
- Linear speed up to 8 mm/s (DC motor)
- Linear speed up 3,7 mm/s (AC motor)
- Standard stroke lengths: 200, 300, 400, 500, 600, 700, 800 mm (for different / longer stroke lengths please contact us)
- Cast iron housing with integral rear attachment and bronze bush
- Anodized aluminium outer tube
- Chrome-plated steel push rod – tolerance f7
- Stainless steel AISI 303 front attachment BA
- Motors:
 - 12, 24 or 36 V DC motor with electromagnetic noise suppressor
 - AC 3-phase or 1-phase motor (motor features details on pages 69 and 70)
- Duty cycle with max load:
 - DC motor max 15% over 10 min at (-10 ... +40) °C
 - AC motor max 30% over 10 min at (-10 ... +40) °C
- Standard protection:
 - with DC motor IP65
 - Test IP6X according to EN 60529 §12 §13.4-13.6
 - Test IPX5 according to EN 60529 §14.2.5 (tests made with not running actuator)
 - with AC motor without brake IP55
 - with AC brake-motor IP54

- Standard motor and first stage gearbox unit mounting position as per sketch (right-hand, code RH)
- Long-life lubrication, maintenance free

ACCESSORIES

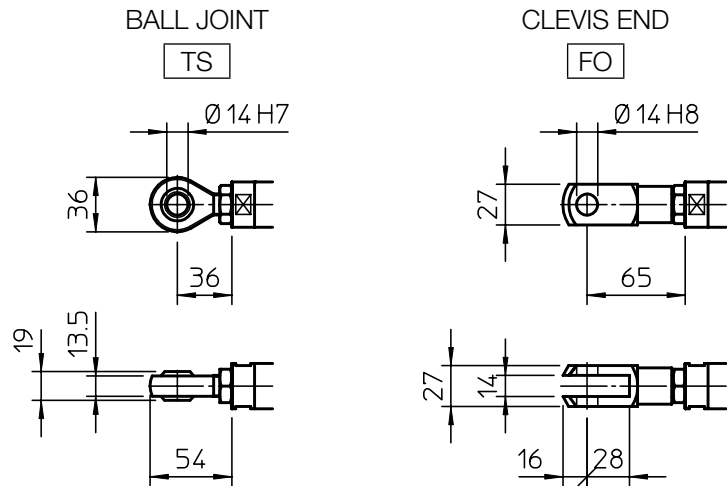
- Different front attachments
- Stainless steel push rod (code SS)
- Mechanical overload protection: safety clutch (code FS)
- Anti-turn device (code AR)
- Adjustable electric stroke end switches (code FC2)
- Adjustable electric stroke end switches, switching off the motor (not available with AC 3-phase motor) (code FC2X)
- Extra switch for intermediate position (code FC)
- Rotative potentiometer 5kOhm for positioning control (code POR5K)

NOTE: Extra limit switch and rotative potentiometer cannot be selected together

OPTIONS

- Motor and first stage gearbox unit mounting position on opposite side (left-hand, code LH)

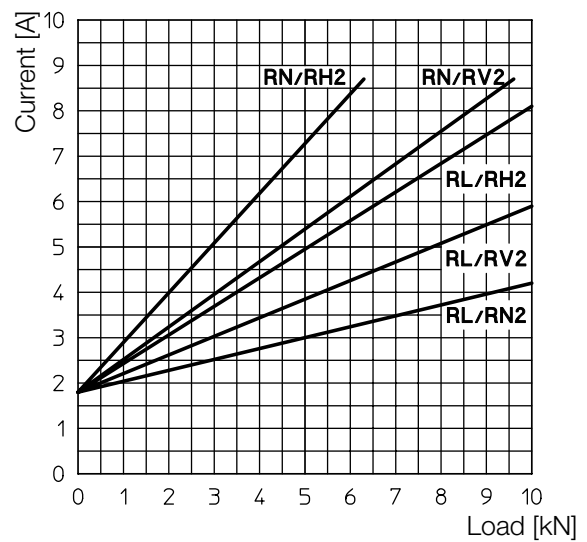
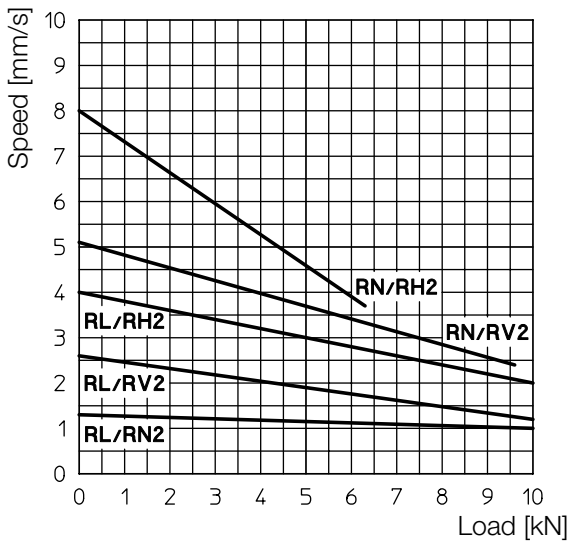
FRONT ATTACHMENT



PERFORMANCES with 24 V DC motor

(Performances with 12 V DC motor: same load, linear speed 10 % less, electrical consumption 2 times more)

2-starts acme screw Tr 18x8 (P4)



PERFORMANCES with AC 3-phase 50 Hz 230/400 V or 1-phase 50 Hz 230 V motor

2-starts acme screw Tr 18x8 (P4)		
RATIO	0.06 kW - 2 pole motor	
	LOAD [N]	SPEED [mm/s]
RL/RH2	3600	3.7
RL/RV2	5500	2.4
RL/RN2	9600	1.2

Self-locking conditions

Information about statically self-locking conditions with pull or push load on page 68.

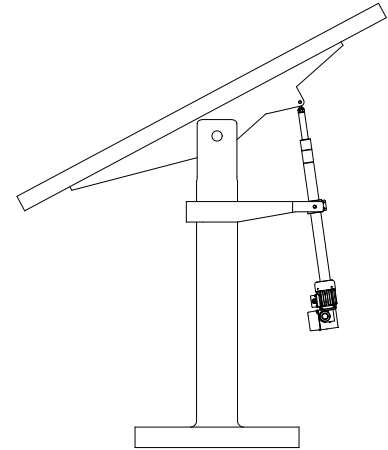
ORDERING CODE EXAMPLE

CLA 28	RL1	C800	CC 24 V	FC2	POR 5K			
Actuator	Selected ratio	Required stroke	Motor	Stroke end switches	Accessories		Options	

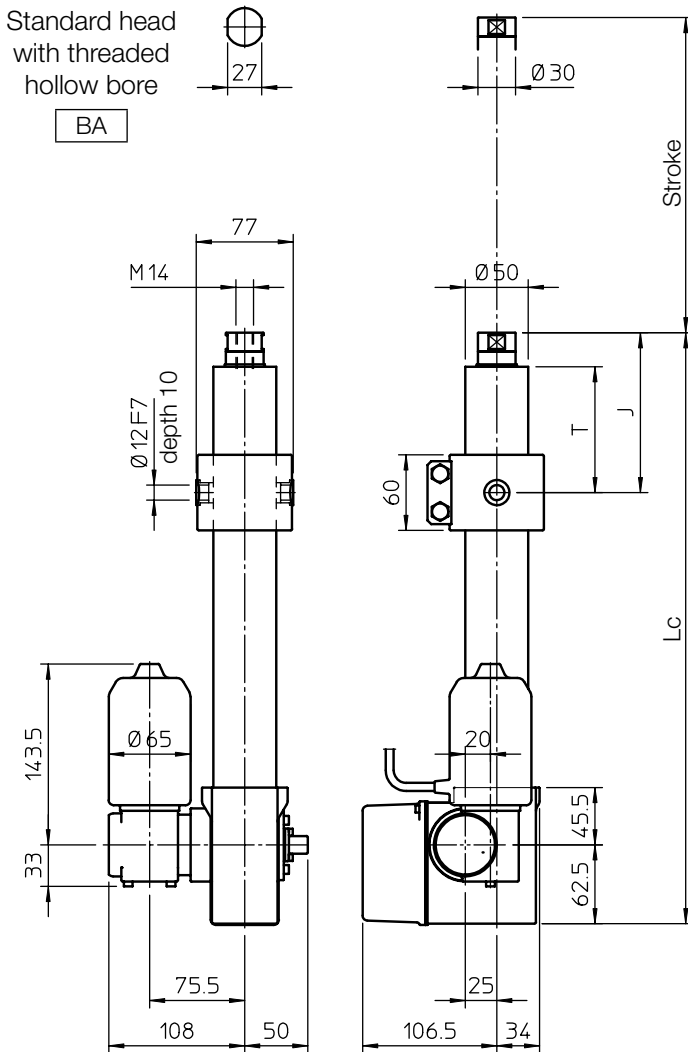
CLA 28 T linear actuator differs from CLA 28 on the protective tube execution, which is made of zinc-plated steel, ext. Ø 50 mm, allowing the fitting of a bracket with self-lubricating bushes on protective tube itself.

The actuator can be hinged on these bushes, reducing by this way the attachments centre distance and improving the total resistance against push load buckling.

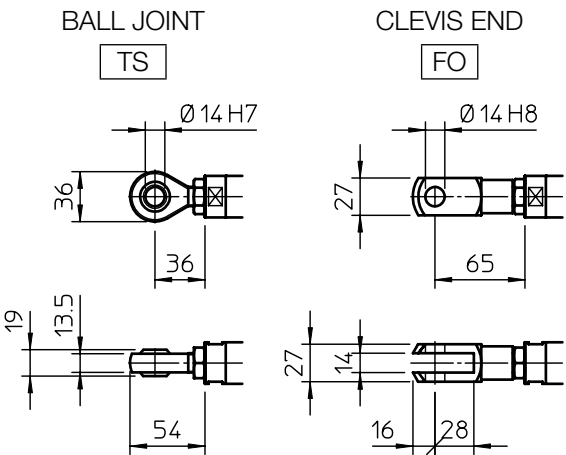
A typical application is lifting motion on solar trackers.



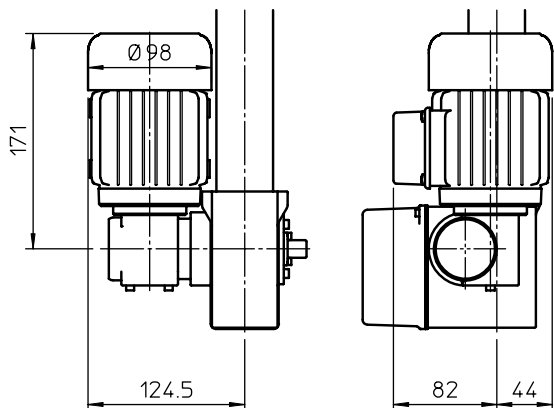
OVERALL DIMENSIONS



FRONT ATTACHMENT



Length [mm]	
Lc	178 + Stroke
J	on customer's demand



T dimension is on customer's demand according to the following formula:

$$120 \leq T \leq \frac{\text{Corsa}}{2}$$

PERFORMANCES AND FEATURES

- Pull-Push load up to 10 000 N
- Linear speed up to 8 mm/s (DC motor)
- Linear speed up to 3,7 mm/s (AC motor)
- Standard stroke lengths:
400, 500, 600, 700, 800, 900, 1 000 mm
(for different / longer stroke lengths please contact us)
- Cast iron housing with integral rear attachment
- Zinc-plated steel hinge on outer tube with self-lubricating bushes
- Zinc-plated steel outer tube with increased thickness
- Chrome-plated steel push rod – tolerance f7
- Stainless steel AISI 303 front attachment
- Motors:
 - 12, 24 or 36 V DC motor with electromagnetic noise suppressor
 - AC 3-phase or 1-phase motor (motor features details on pages 69, 70)
- Duty cycle with max load:
DC motor max 15% over 10 min at (-10 ... +40) °C
AC motor max 30% over 10 min at (-10 ... +40) °C
- Standard protection:
with DC motor IP65
 - Test IP6X according to EN 60529 §12 §13.4-13.6
 - Test IPX5 according to EN 60529 §14.2.5 (tests made with not running actuator)
- with AC motor without brake IP55
- with AC brake-motor IP54

- Standard motor and first stage gearbox unit mounting position as per sketch (right-hand, code RH)
- Long-life lubrication, maintenance free

ACCESSORIES

- Different front attachments
- Stainless steel push rod (code SS)
- Anti-turn device (code AR)
- Adjustable electric stroke end switches (code FC2)
- Adjustable electric stroke end switches, switching off the motor (code FC2X) (not available with AC 3-phase motor)
- Extra switch for intermediate position (code FC)
- Rotative potentiometer 5kOhm for positioning control (code POR5K)

NOTE: Extra limit switch and rotative potentiometer cannot be selected together

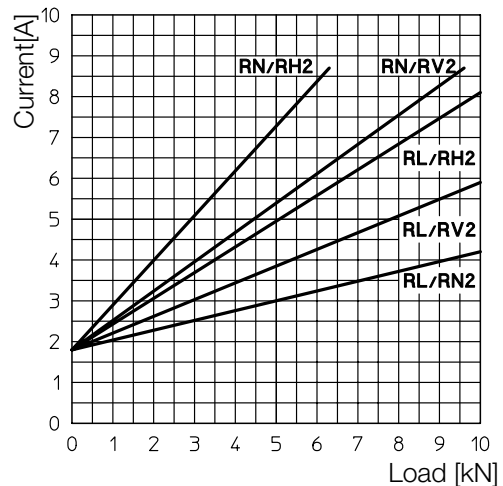
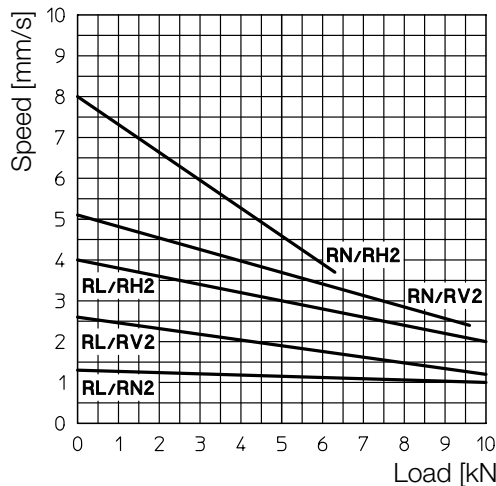
OPTIONS

- Motor and first stage gearbox unit mounting position on opposite side (left-hand, code LH)
- Fixing attachment turned at 90° (code RPT 90)

Self-locking conditions

Information about statically self-locking conditions with pull or push load on page 68.

PERFORMANCES with 24 V DC motor 2-starts acme screw Tr 18x8 (P4)



PERFORMANCES with AC 3-phase 50 Hz 230/400 V or 1-phase 50 Hz 230 V motor

2-starts acme screw Tr 18x8 (P4)		
0.06 kW - 2 pole motor		
RATIO	LOAD [N]	SPEED [mm/s]
RL/RH2	3600	3.7
RL/RV2	5500	2.4
RL/RN2	9600	1.2

ORDERING CODE EXAMPLE

CLA 28 T	RL1	C800	CC 24 V	FC2	POR 5K			
Actuator	Selected ratio	Required stroke	Motor	Stroke end switches	Accessories			Options

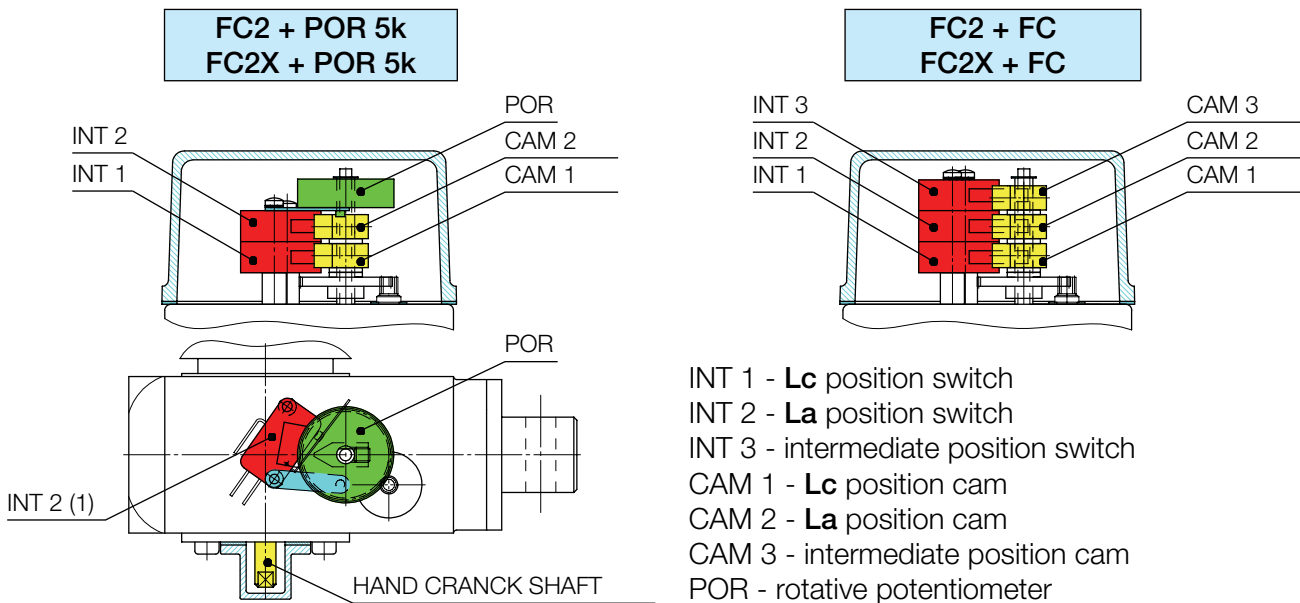
13.4 Electric cam-operated stroke end switches (linear actuators CLA and CLB Series)

Code **FC2**: two electric cam-operated switches, wired on contact NC (to be connected into the external control circuit). On request, the switches can be wired on the contact NO or on the switch-over contact CS. (For available configurations please contact our Technical Dpt).

Code **FC2X**: two electric cam-operated switches, internally wired between power supply and electric motor, in order to switch off the power supply directly, without relays. Available for actuators with Dc or AC 1-phase motor.

Code **FC2 + FC** or **FC2X + FC**: Stroke end switches FC2 or FC2X with a third switch for any intermediate position. The third switch can be wired on contact NC or NO on request. (For different configurations please contact our Technical Dpt).

SWITCH RATED VALUES		
Voltage	Max current	
	Resistive load	Inductive load
250 Vac	21 A	12 A
30 Vdc	14 A	12 A
125 Vdc	0.8 A	0.6 A



Lc = actuator retracted length, **La = Lc + Stroke** – actuator extended length

13.4 Rotative potentiometer for positioning control (linear actuators CLA and CLB Series)

Code **POR 5k**: rotative potentiometer, single turn (340°), 5 kOhm ± 20 %, linearity ± 2 %

The rotative potentiometer is an absolute transducer, whose output signal is proportional to the current position of the actuator push rod. Analogic output signal.

Standard cable: 4 x 0.25 mm² + shield, 1.5 m length (for different configurations please contact us).

POR 5k standard wiring diagram:

POR Power supply: 0 V dc

Reference signal: ZERO

Reference signal: RETURN

POR Power supply: + V cc

SHIELD

