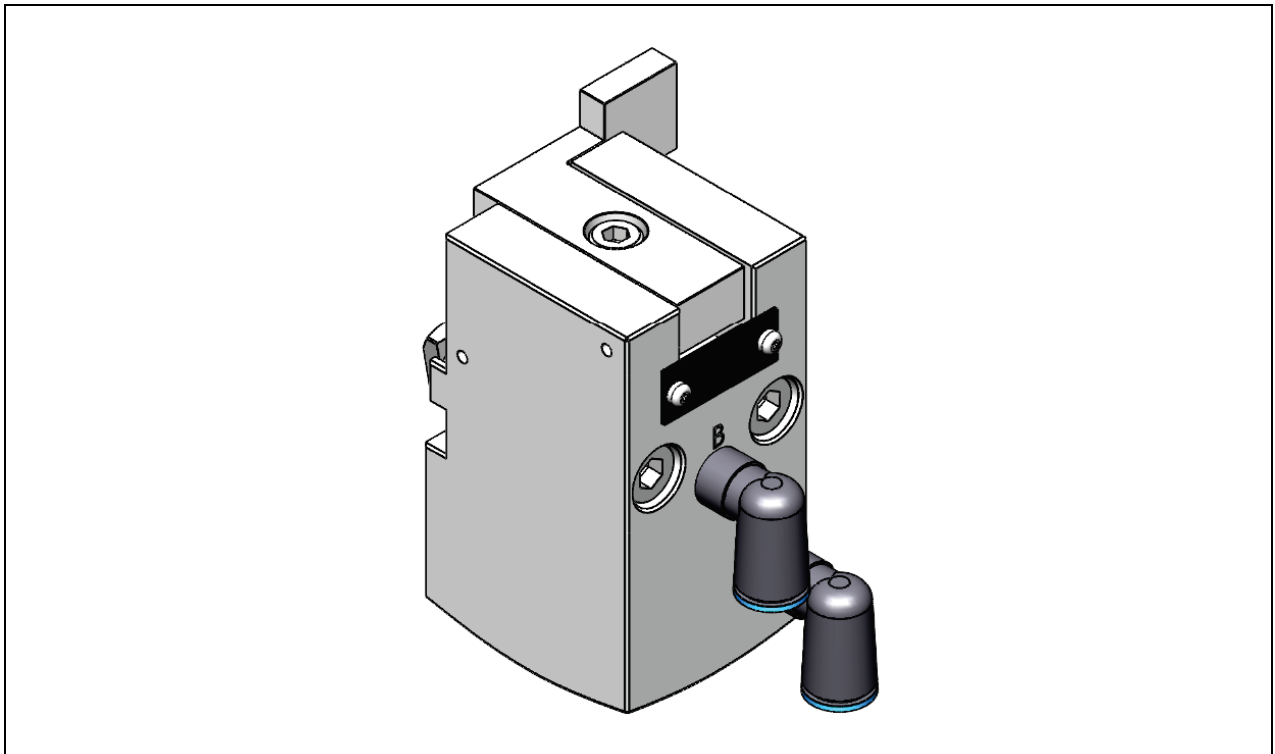


Entry side stopper with right-angled catch ES (300008001)

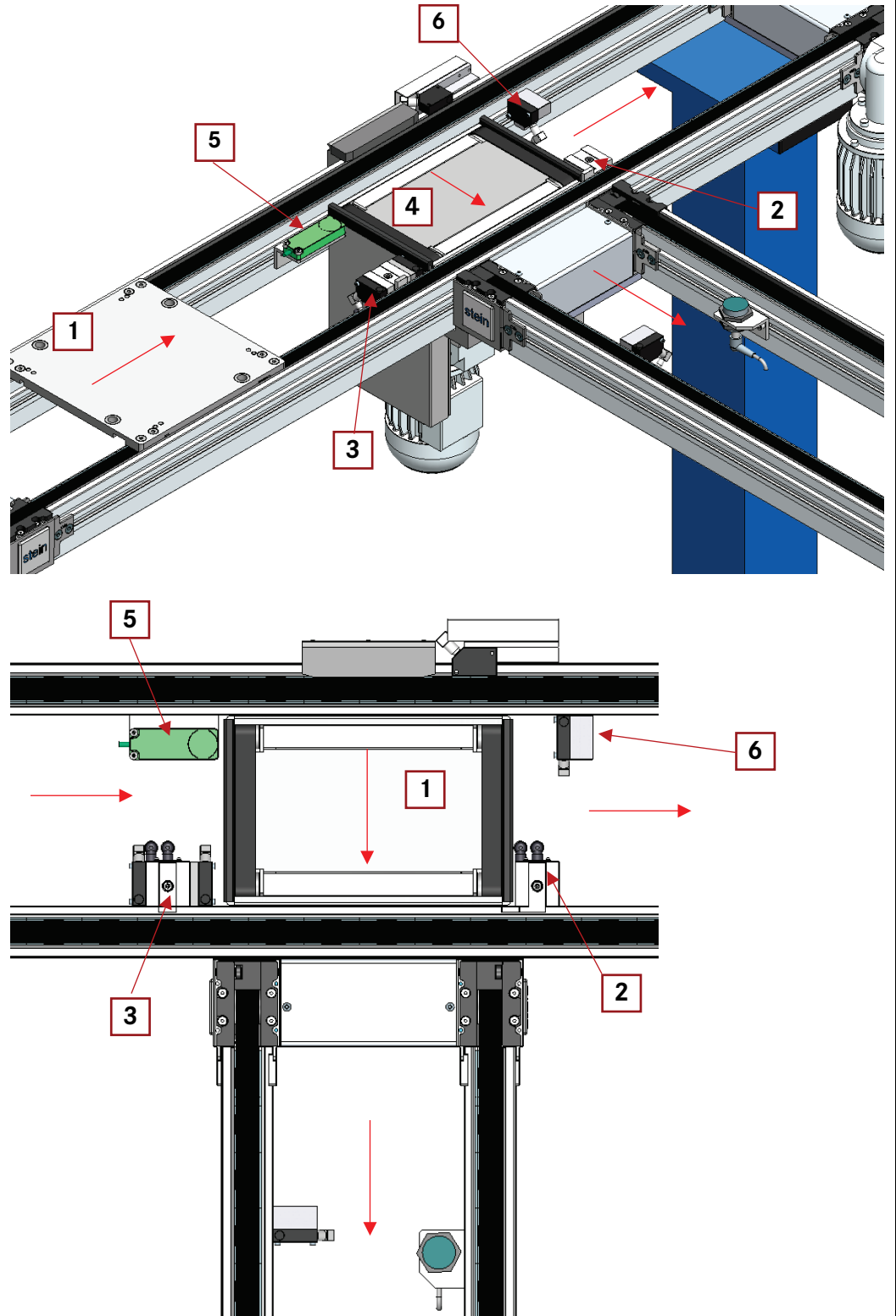


The entry side stopper (ES) is mainly used for the simplest stop situations without interrogation. Another application is at 90° / 180° outlets.
For this, the stopper is used to stop the WT for the lift-out with a transfer unit.

Maximum stowage load	25kg
Cylinder diameter	32mm
Operating pressure	4bar
Stroke	7mm

Example of use

- 1 Pallet
- 2 Entry side stopper with right-angled catch ES
- 3 Workstation pre-stopper AS
- 4 Transfer unit
- 5 Reading head LK
- 6 Lower sensor SU



Mounting: Entry side stopper with right-angled catch

- 1 Belt element-profile with groove
- 2 Entry side stopper with right-angled catch ES

