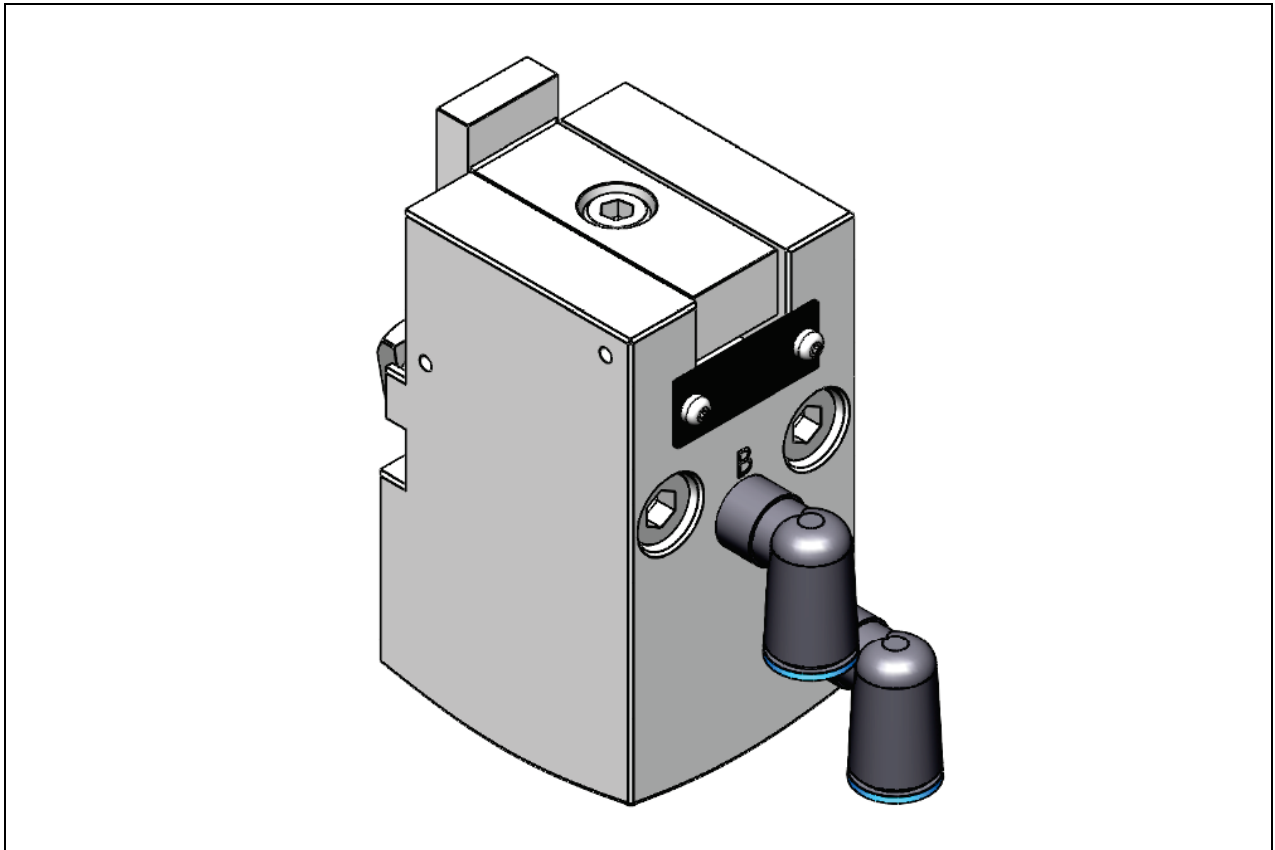


## Stopper S (300006001)

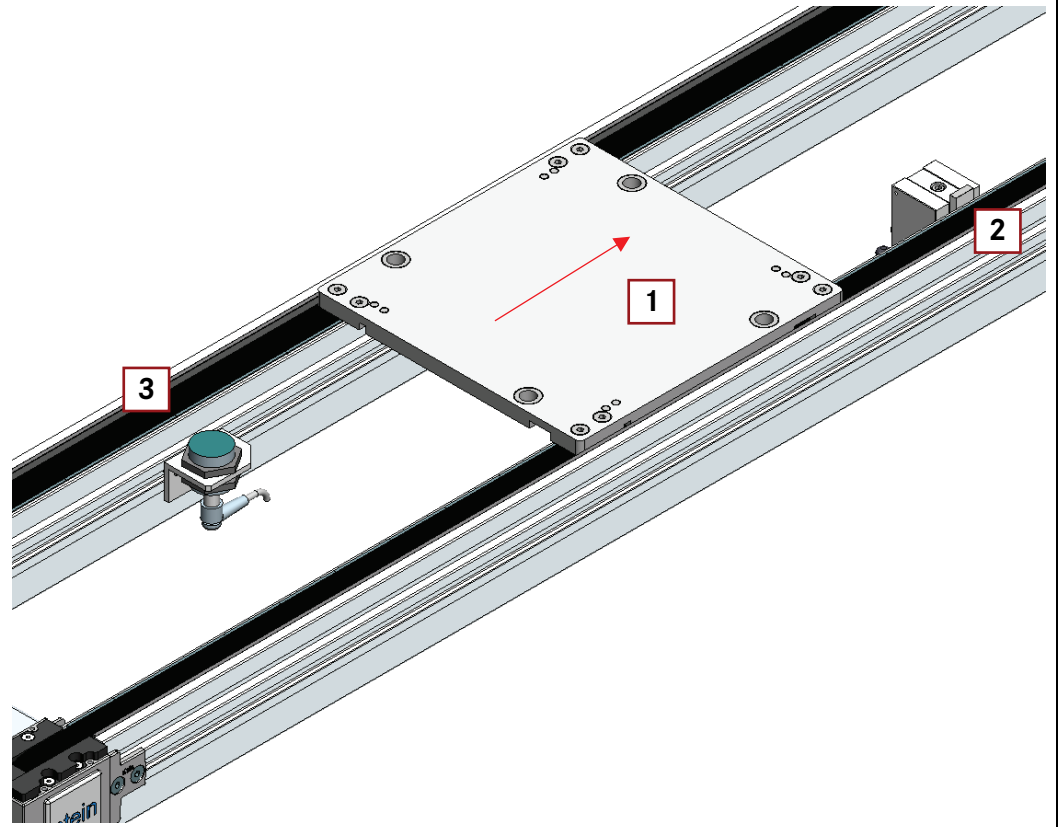


This stopper (S) has no inductive proximity switches to detect a workpiece carrier. This stopper is used for the simplest stop positions. In combination with a surface switch (FLS), this stopper is used as a jam separation.

Maximum stowage load	25kg
Cylinder diameter	32mm
Operating pressure	4bar
Stroke	7mm

## Example of use

- 1 Pallet
- 2 **Stopper S**
- 3 Surface switch



## Mounting: Stopper

- 1 Belt element-profile with groove
- 2 Stopper S

