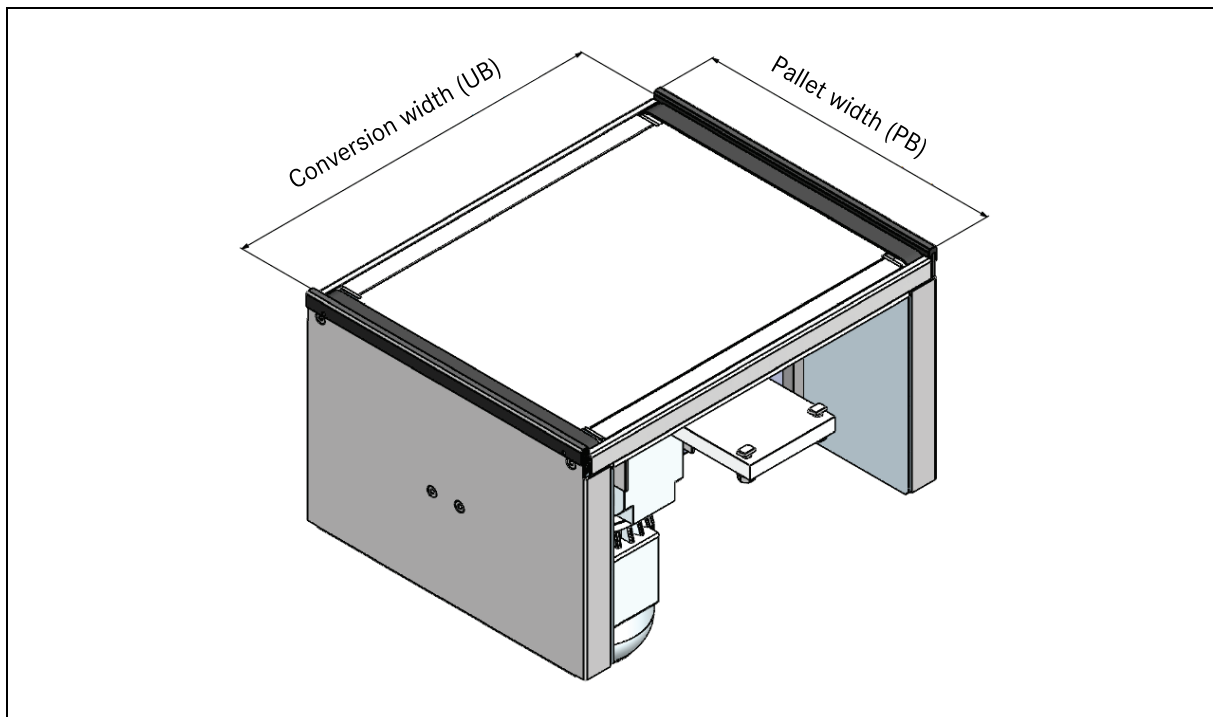


Transfer unit 90° PB200-400 / UB to 400 (300917001)

Drive set for U90 AC motor (300932001)

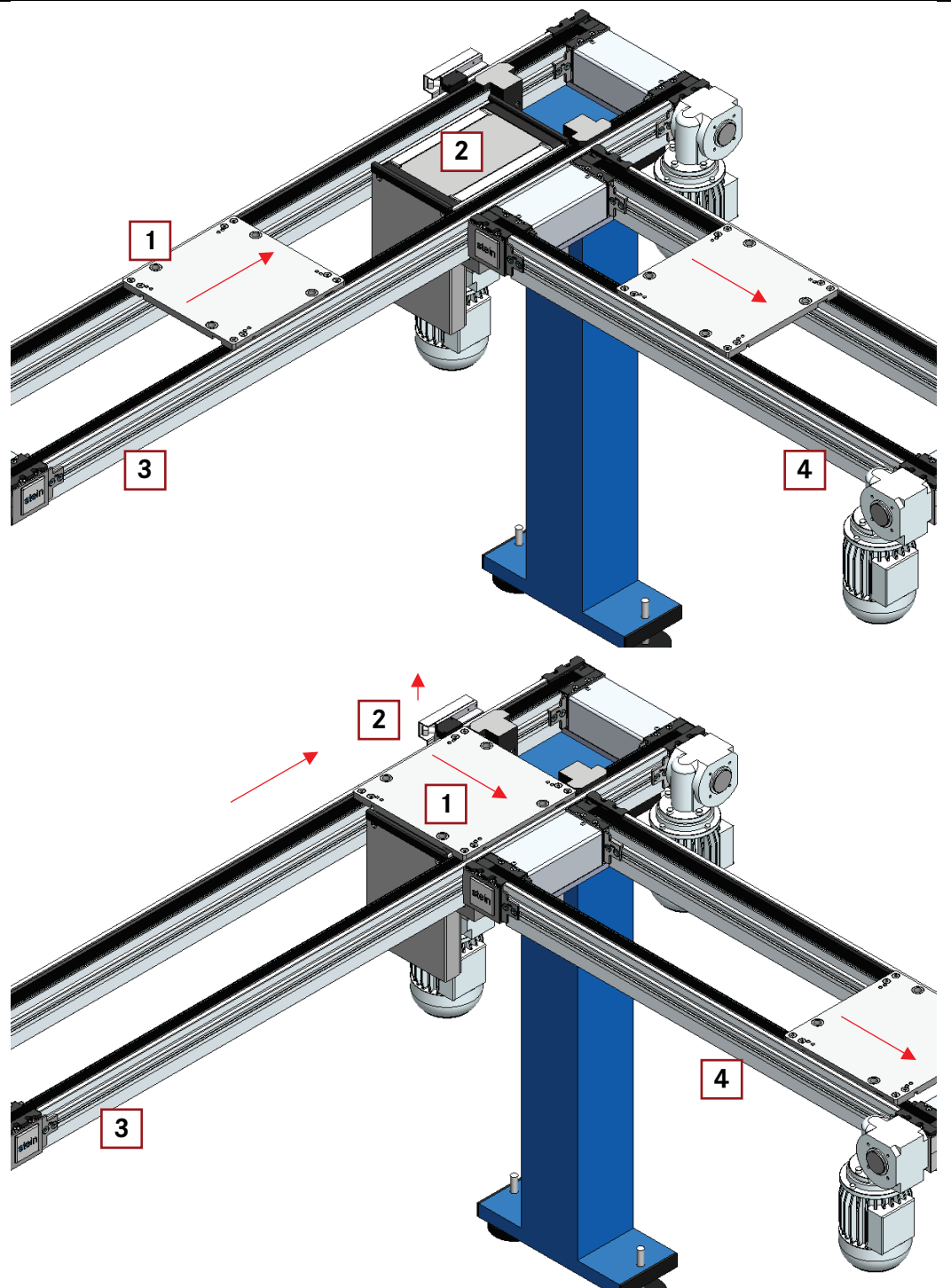


This transfer unit transfers a workpiece carrier from a main conveyor (height level 0mm) to a cross conveyor (height level +6.7mm) or vice versa. The stroke is pneumatic. With this assembly, different transfers can be realised.

Permissible WT load	250 N (WT + bracket + product) with central load
Stroke	15 mm
Lifting cylinder	Ø 50 mm
Compressed air connection	PUN 6x1, 4 bar, Fa. Festo max. 6 bar

Example of use

- 1 Pallet
- 2 Transfer unit
90°
- 3 Belt element
(Main belt height
level 0)
- 4 Belt element
(Cross section
+6,7mm)



Mounting: Transfer unit

- 1 Belt element-profile with groove
- 2 Transfer unit 90°

