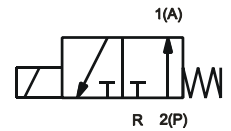


3/2 way solenoid valve normally open

**type 82S, body brass, pressure release by guide tube
direct operated, DN 1,2 – 1,5mm, G1/8**



operating mode S

SPECIFICATION	
General	
type of construction	3/2-poppet valve, normally open NO, coil 360° rotatable
operator	solenoid
ports	G 1/8, tube with M5 female thread
ambient temperature	-5°C to +50°C, higher allowed ambient temperatures on request
fluid temperature	dependent on sealing material and coil
viscosity	max. 21mm ² /s (cst) bzw 3°E
material	Body and tube: brass Inner parts : stainless steel, brass sealing: see type selection
mounting	2 threads M4 or fixing holes diameter 3,2mm
installation	in any position, preferable vertical fixed solenoid coil
unit of supply	without connector
electrical data	
voltage	DC voltage or AC voltage
standard voltage	24V DC, 24V AC, 230V AC
special voltage on request	6V-200V DC, 12V-240V, 50Hz or 60Hz
acceptable voltage tolerance	+/- 10%
power consumption	see specifications at solenoid coils
coil type	temperature class F (155°C), winding class H (180°C)
duty cycle	100% ED (DB), continuous operation
protection class	IP65 according DIN EN 60529 (DIN 40050) with correctly mounted connector
pneumatic – hydraulic	
flow medium	all liquids and gases, which don't attack the used material
max. body housing pressure	PN 40 (bar)
response time	12 – 20ms
special equipment on request	stainless steel AISI303 in place of brass, coil type with cable, bright nickel-plated or chemical nickel-plated, coil EExmIT5, coils for temperature class H (180°C), other sealing materials


E & OE: We reserve the right to change design, dimensions or materials without notice.

type 82S, 3/2 way solenoid valve normally open, pressure release by guide tube					
type * (order-nr.)	NW DN (mm)	maximum differential pressure in bar **		kv-value body nozzle (m ³ /h)	kv-value pole nozzle (m ³ /h)
		fluid compressed air	fluid water		
82S-1.1212AY-AC1DA.....	1,2	0 – 7,5	0 – 6	0,045	0,040
82S-1.1512AY-AC1DA.....	1,5	0 – 6	0 – 5	0,060	0,040
82S-1.1212AY-ACXFA.....	1,2	0 – 8	0 – 6	0,045	0,040
82S-1.1512AY-ACXFA.....	1,5	0 – 6	0 – 5	0,060	0,040

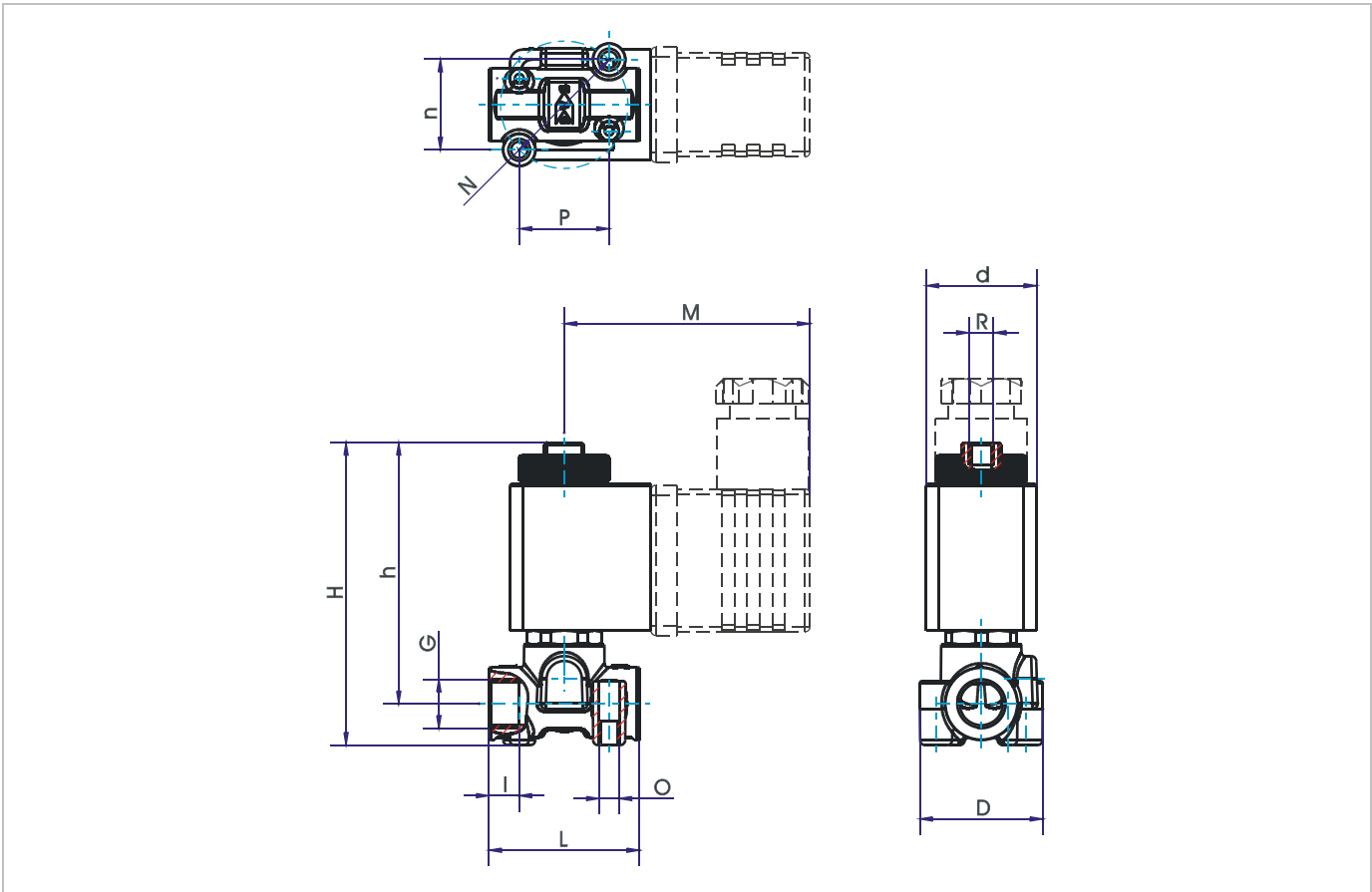
* Type designation (order-nr.) must be completed with sealing material, coil and supply voltage. (see order code)

** All specifications refer to fluids with a maximum viscosity of 21 cst. (3°E). Higher viscosities cause extended response time and need a special specification of the valve.

sealing material	Code	fluid temperature	applicable for	standard voltage	Code
NBR (Perbunan)	B	max. 80 °C	neutral gases and liquids	24V = DC	02400
EPDM	E	max. 130 °C	hot water, steam, not for oil and grease	24V ~ (50Hz)	02450
FPM	V	max. 130 °C	oil, petrol, oxygen	230V ~ (50Hz)	23050

coil power consumption at 20 °C, protection class, interface					
coil type	inrush power ~ (50Hz) VA	rated power ~ (50Hz) VA	power = (DC) (W)	protection class with/without connector	interface
C1DA	7,5	5	3,0	IP65 / IP00	Connector (DIN 43650) type B industrial standard
CXFA	5,1	5,1	5,0	IP65	Coil explosion proof according to ATEX  II 2G Ex mb II T4 II 2D ExtDA21 IP65 T130°C cable length 3 meter

ORDER CODE	82 S - 1 B 20 18 A Y - A C1DA 02400									
	type	function	ports	seal material	nominal size seat body	nominal size seat pole	external core spring	internal core spring	short circuit ring	coil type
type	type 82, body and tube brass									
function	S = normally open, pressure release by guide tube									
ports	1 = G1/8 (body)									
seal material	B = NBR (Perbunan), E = EPDM, V = FPM									
nominal size seat body	12 = 1,2 mm, 15 = 1,5 mm									
nominal size seat pole	12 = 1,2 mm									
external core spring	A = 1,0 N									
internal core spring	Y = 2,4 NS									
short circuit ring	A = copper short circuit ring, X = without short circuit ring									
coil type	see specifications of the particular coil									
supply voltage	always 5-digit, see code of standard voltage									



dimension table for type 82S in mm, weight approx. in g

with coil	N	n	P	M	H	h	G	I	L	O	R	D	d	weight (g)
C1DA	25.4	18	18	49	61	52.1	G1/8	6	30	M4	M5	24.5	22	110
CXFA				45									30	360