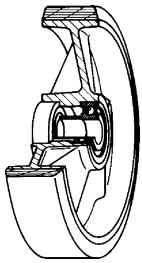


SERIE 62AL



**“TR-ROLL” POLYURETHANE WHEELS,
ALUMINIUM CENTRE,
FIXED ELECTROWELDED SPRUNG-LOADED BRACKET
TYPE EES MHD**

Wheel description



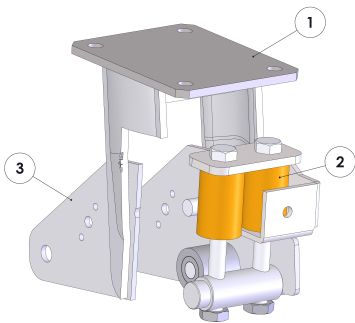
Tread: “TR-ROLL” polyurethane, hardness 75 Shore A.

Centre: aluminium.

Hub: the housing is obtained by moulding and contains ball bearings series Z

Bracket description

Electrowelded sprung-loaded bracket EES MHD-max loading capacity 1000 daN (damping up to 400 daN)



- 1) Electrolytically galvanised top plate with deep-drawn legs electrowelded to the flange
- 2) Polyurethane springs
- 3) Internal moving fork: deep-drawn legs electrowelded to the tube