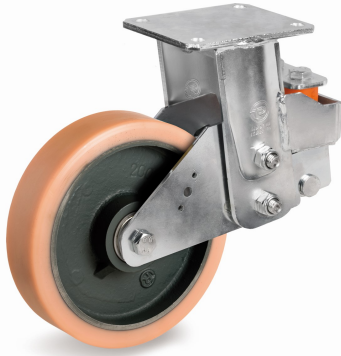
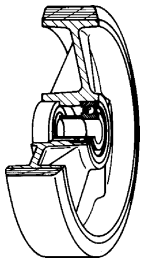


SERIE 63GH



**VULKOLLAN® WHEELS,
CAST IRON CENTRE,
FIXED ELECTROWELDED SPRUNG-LOADED BRACKET
TYPE EES MHD**

Wheel description



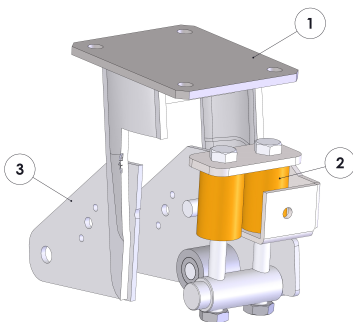
Tread: Vulkollan® polyurethane tread; hardness 93 +/-2 Shore A

Centre: cast iron.

Hub: the housing is obtained by moulding and turning and contains ball bearings series Z

Bracket description

Electrowelded sprung-loaded bracket EES MHD-max loading capacity 1000 daN (damping up to 400 daN)



1) Electrolytically galvanised top plate with deep-drawn legs electrowelded to the flange

2) Polyurethane springs

3) Internal moving fork: deep-drawn legs electrowelded to the tube