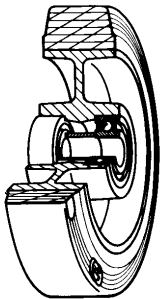


SERIE 72GH



**SIGMA ELASTIC RUBBER WHEELS,
CAST IRON CENTRE,
FIXED ELECTROWELDED SPRUNG-LOADED BRACKET
TYPE EES MHD**

Wheel description



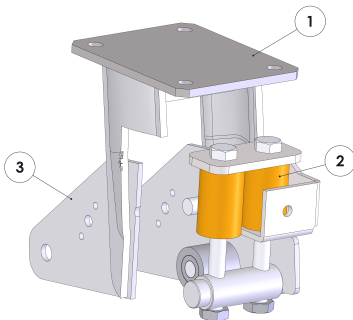
Tread: Sigma Elastic rubber tread; hardness 70 +/-3 Shore A.

Centre: cast iron.

Hub: The housing is obtained by moulding and turning and contains ball bearings series Z.

Bracket description

Electrowelded sprung-loaded bracket EES MHD-max loading capacity 1000 daN (damping up to 400 daN)



1) Electrolytically galvanised top plate with deep-drawn legs electrowelded to the flange

2) Polyurethane springs

3) Internal moving fork: deep-drawn legs electrowelded to the tube